



DIVINE / PROUDLY HANDCRAFTED IN NORTH AMERICA

DIVINE

MULTI SIDED

CORNERING THE MARKET

H38CL/CR

CORNER
DIRECT VENT

DIVINE CL/CR CONTEMPORARY

Standard

- Contemporary burner with ice fireglass
- Remote Hi-Lo flame control
- Multi-function remote control
- Micro mesh screen
- Battery backup

Options

- Glass media
- Wall remote
- WiFi phone app control

DIVINE CL/CR TRADITIONAL

Standard

- Traditional burner and logset
- Heritage brick liner
- Wrought iron grate
- Remote Hi-Lo flame control
- Multi-function remote control
- Micro mesh screen
- Battery backup

Options

- Wall remote
- WiFi phone app control

QUICK DIMENSIONS

| H38CL/CR | | |
|----------|---|--------------------------------|
| | UNIT | FRAM. |
| F.WIDTH | 43 ⁹ / ₁₆ | 42 |
| B.WIDTH | 28 ¹ / ₈ | 42 |
| HEIGHT | 41 ⁵ / ₁₆ | 46 ¹ / ₂ |
| DEPTH | 20 ³ / ₈ | 21 ⁵ / ₈ |
| VIEWING | 39 ¹ / ₂ x 28 ³ / ₄ | |

BTU LISTING

H38C*NI-2 / 34,000 BTU
H38C*LI-2 / 32,000 BTU

HL38C*NI-2 / 34,000 BTU
HL38C*LI-2 / 32,000 BTU

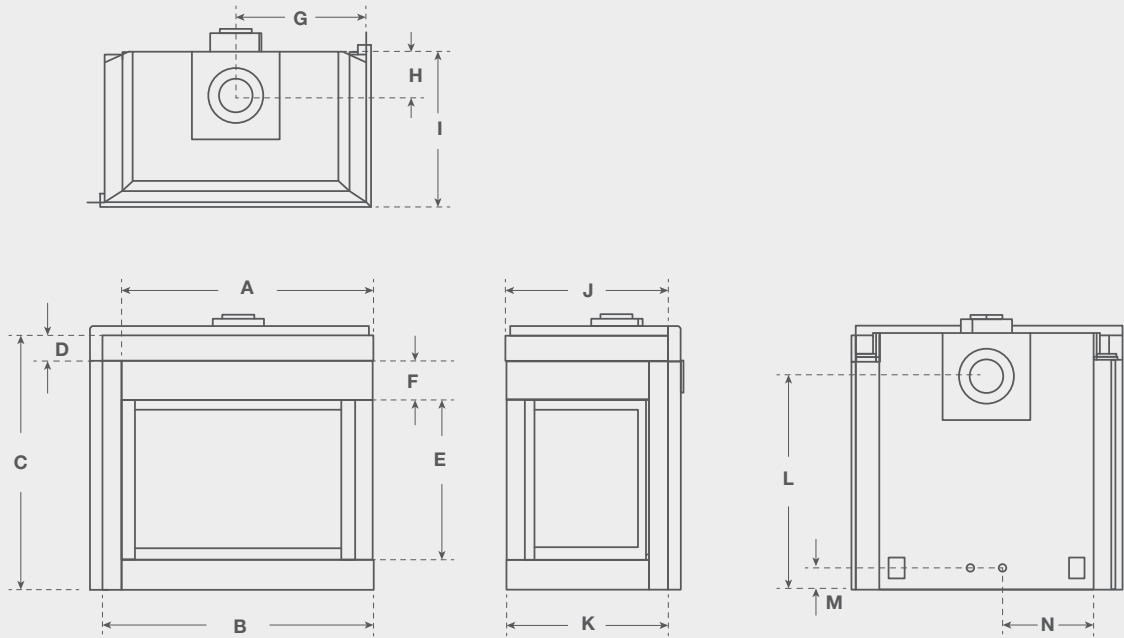
EFFICIENCY (FE)

H38C*NI-2 / 58.5%
H38C*LI-2 / 58.5%

HL38C*NI-2 / 58.5%
HL38C*LI-2 / 58.5%



DIVINE CL/CR DIMENSIONS



| | A | B | C | D | E | F | G | H | I | J | K | L | M | N |
|-------|---------------------------------|---------------------------------|--------------------------------|---|----------------------------------|---|--------------------------------|---|--------------------------------|--------------------------------|--------------------------------|--------------------------------|--------------------------------|---------------------------------|
| H38C* | 39 ³ / ₁₆ | 42 ³ / ₁₆ | 39 ⁵ / ₈ | 4 | 24 ¹³ / ₁₆ | 6 | 20 ³ / ₈ | 7 | 24 ¹ / ₄ | 25 ⁵ / ₈ | 22 ¹ / ₄ | 33 ¹ / ₄ | 3 ⁷ / ₁₆ | 14 ³ / ₁₆ |

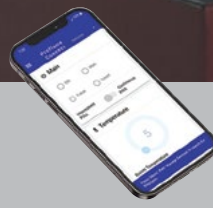
MONTIGO / DIVINE / HL38CRNI-2 / EBONY FIREBEADS



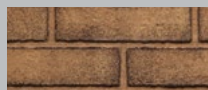
REMOTE^A
RX200**



WALL REMOTE
EC1550



WIFI PHONE APP
CONTROL
SIT-WIFI[†]



HERITAGE[†]

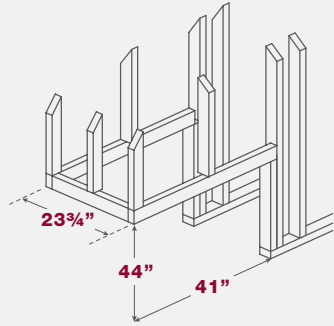
^A Standard on all corner units
[†] Standard on H38C**1-2

Unit Specifications

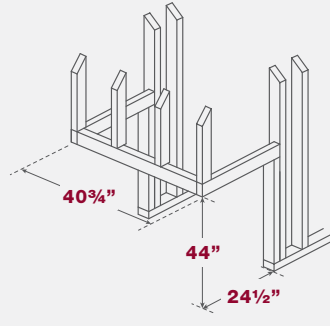
ICON LEGEND

| | | | |
|-----------|---|---------------|---|
| AVAILABLE | + | NOT AVAILABLE | - |
| DEDICATED | ◊ | STANDARD | ◦ |

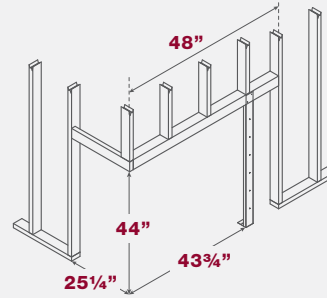
PIER FRAMING



BAY FRAMING



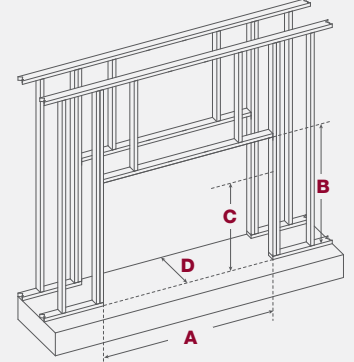
CORNER FRAMING



NON COMBUSTIBLE STUD INCLUDED WITH UNIT

Approximate dimensions to center. For best results mount noncombustible stud onto unit, then bolt to 2x4 header and floor.

SEE THROUGH FRAMING



| | A | B | C | D |
|--------|---------|---------|---------|---------|
| H38FSD | 40 3/4" | 42 1/2" | N/A | 23 3/4" |
| H42FSD | 45" | 49 1/2" | 46 1/2" | 24" |

NON COMBUSTIBLE STUD INCLUDED WITH UNIT - NOT NEEDED FOR H38FSD

| | BTU NATURAL GAS | BTU LIQUID PROPANE | VENTING | CLEARANCE TOP - REAR VENT | CLEARANCE TOP - TOP VENT | CLEARANCE SIDES | CLEARANCE BACK | CLEARANCE FLOOR | FRONT VIEWING AREA | FRONT GLASS TYPE | STANDARD MEDIA | MICRO MESH | POWERVENT | REMOTE CONTROL | FANS | UPLIGHTING | DOWNLIGHTING |
|------------|-----------------|--------------------|---------|---------------------------|--------------------------|-----------------|----------------|-----------------|--------------------|------------------|----------------|------------|-----------|----------------|------|------------|--------------|
| H38FSD* | 34,000 | 32,000 | 5"/8" | 9 | 17 1/2 | 1 | 2 | 0 | 35 3/4 X 26 3/8 | HIGH TEMPERATURE | TRADITIONAL | ◦ | + | + | + | - | - |
| H38FSD*I | 34,000 | 32,000 | 5"/8" | 9 | 17 1/2 | 1 | 2 | 0 | 35 3/4 X 26 3/8 | HIGH TEMPERATURE | TRADITIONAL | ◦ | + | + | + | - | - |
| H42FSD* | 37,000 | 37,000 | 5"/8" | 9 | 17 1/2 | 1 | 2 | 0 | 39 3/8 X 30 3/8 | HIGH TEMPERATURE | TRADITIONAL | ◦ | + | + | + | - | - |
| H42FSD*I | 37,000 | 37,000 | 5"/8" | 9 | 17 1/2 | 1 | 1 | 0 | 39 3/8 X 30 3/8 | HIGH TEMPERATURE | TRADITIONAL | ◦ | + | + | + | - | - |
| H38PF*I-2 | 34,000 | 32,000 | 5"/8" | 9 | 17 1/2 | 1 | 1 | 0 | 32 1/2 X 21 3/8 | HIGH TEMPERATURE | TRADITIONAL | ◦ | + | ◦ | - | - | - |
| HL38PF*I-2 | 34,000 | 32,000 | 5"/8" | 9 | 17 1/2 | 1 | 1 | 0 | 32 1/2 X 21 3/8 | HIGH TEMPERATURE | HW1157 | ◦ | + | ◦ | - | - | - |
| H38PR*I-2 | 34,000 | 32,000 | 5"/8" | 9 | 17 1/2 | 1 | 1 | 0 | 32 1/2 X 24 3/4 | HIGH TEMPERATURE | TRADITIONAL | ◦ | + | ◦ | - | - | - |
| HL38PR*I-2 | 34,000 | 32,000 | 5"/8" | 9 | 17 1/2 | 1 | 1 | 0 | 32 1/2 X 24 3/4 | HIGH TEMPERATURE | HW1157 | ◦ | + | ◦ | - | - | - |
| H38CL*I-2 | 34,000 | 32,000 | 5"/8" | 9 | 17 1/2 | 1 | 1 | 0 | 32 1/2 X 24 3/4 | HIGH TEMPERATURE | TRADITIONAL | ◦ | + | ◦ | - | - | - |
| HL38CL*I-2 | 34,000 | 32,000 | 5"/8" | 9 | 17 1/2 | 1 | 1 | 0 | 32 1/2 X 24 3/4 | HIGH TEMPERATURE | HW1157 | ◦ | + | ◦ | - | - | - |
| H38CR*I-2 | 34,000 | 32,000 | 5"/8" | 9 | 17 1/2 | 1 | 1 | 0 | 32 1/2 X 24 3/4 | HIGH TEMPERATURE | TRADITIONAL | ◦ | + | ◦ | - | - | - |
| HL38CR*I-2 | 34,000 | 32,000 | 5"/8" | 9 | 17 1/2 | 1 | 1 | 0 | 32 1/2 X 24 3/4 | HIGH TEMPERATURE | HW1157 | ◦ | + | ◦ | - | - | - |