



Features

Frameless window design

Convertible to top or rear flue vent

Compatible with 24VAC home automation systems

EXEMPLAR / PROUDLY HANDCRAFTED IN NORTH AMERICA

EXEMPLAR

LUXURY AND COMFORT

**EXEMPLAR RP620
CONTEMPORARY**

**EXEMPLAR
POWER VENTS**

RP620

SINGLE SIDED
POWER VENTED

Standard

Concealed burner with Quartz firebeads

Black porcelain liner

Micro mesh screen

Halogen uplighting

Options

Speckled stones, driftwood, glass media

Remote control on/off

Wall Mount

PVHEX58-300

PVHEX510-300

PVHEXD-300

Flush Wall Mount

PVHFL58-300

PVHFL510-300

PVHIN58-300-FS

Roof Mount

PVEX58-300

PVEX510-300

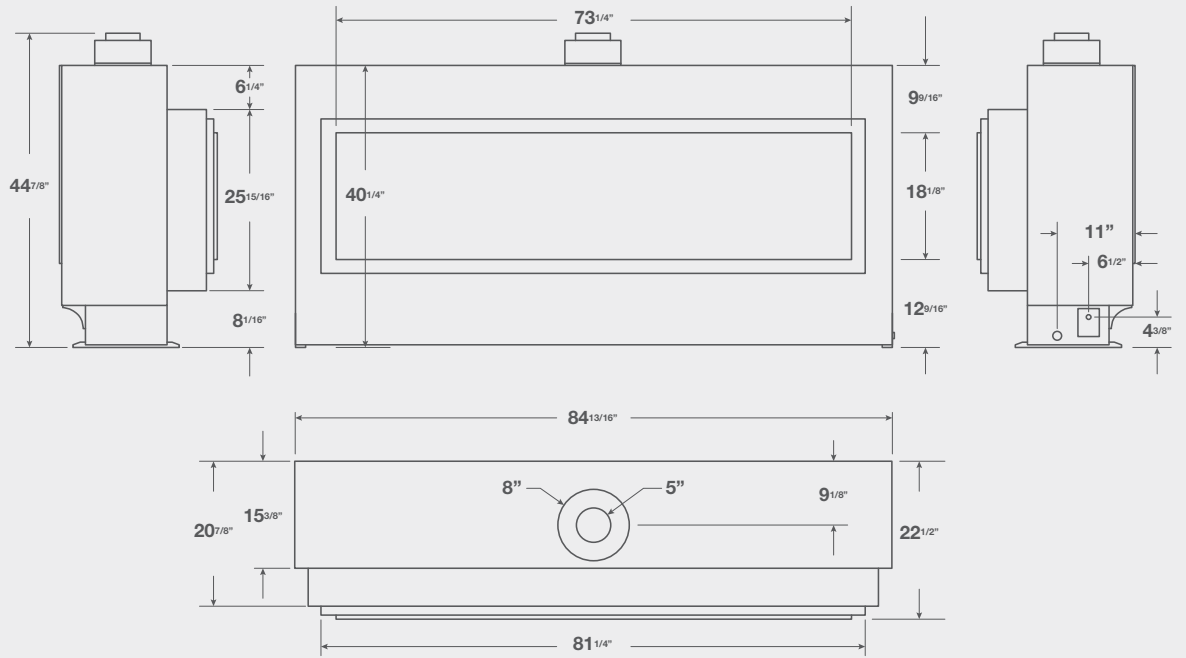
QUICK DIMENSIONS

RP620	UNIT	FRAM.
F.WIDTH	84 ¹³ / ₁₆	96
B.WIDTH	84 ¹³ / ₁₆	96
HEIGHT	44 ⁷ / ₈	54
DEPTH	22 ¹ / ₂	26
VIEWING	73 ¹ / ₄ ×	18 ¹ / ₈

BTU LISTING
RP620N / 75,000
RP620L / 70,000



EXEMPLAR RP620 DIMENSIONS



MONTIGO / EXEMPLAR / RP620N / OBSIDIAN FIREGLASS



MONTIGO / EXEMPLAR / RP620N / DRIFTWOOD SPECKLED STONES

OPTIONS & FEATURES



REMOTE ON/OFF
RXM40VAC



BLACK PORCELAIN[†]



UPLIGHTING[‡]

[†]Optional on RP620
[‡]Standard on RP620

Unit Specifications

ICON LEGEND

AVAILABLE	+	NOT AVAILABLE	-
DEDICATED	◊	STANDARD	◦

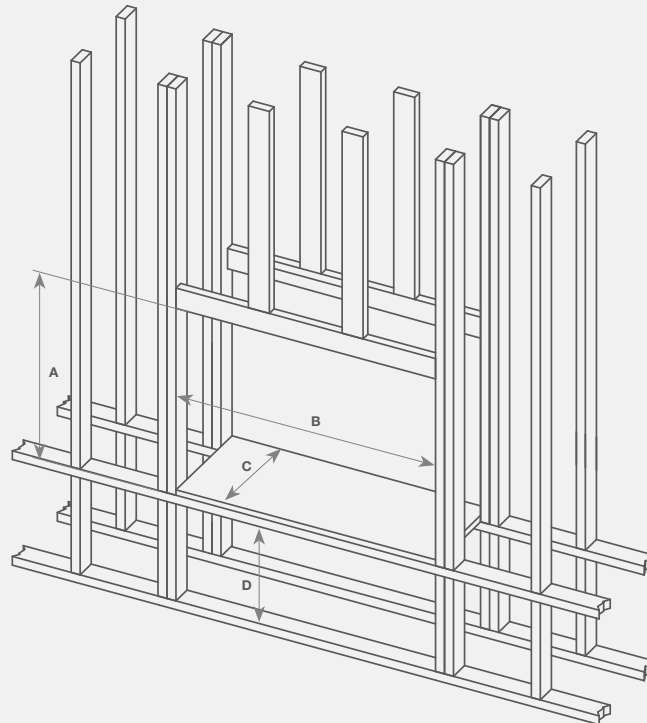
	BTU NATURAL GAS	BTU LIQUID PROPANE	VENTING	CLEARANCE TOP - REAR VENT	CLEARANCE TOP - TOP VENT	CLEARANCE SIDES	CLEARANCE BACK	CLEARANCE FLOOR	FRONT VIEWING AREA	STANDARD MEDIA	FRONT GLASS TYPE	MICRO MESH SCREEN	POWERVENT	REMOTE CONTROL	FANS	UPLIGHTING	DOWNLIGHTING
R320	50,000	40,000	5"8"	24	24	6	2	0	37¼ × 16½	HW1157	HIGH TEMPERATURE	◦	◊	-	-	-	-
R420	65,000	55,000	5"8"	24	24	6	2	0	49¼ × 16½	HW1157	HIGH TEMPERATURE	◦	◊	-	-	-	-
R520	80,000	65,000	5"10"	24	24	6	2	0	61¼ × 18½	HW1157	HIGH TEMPERATURE	◦	◊	-	-	-	-
R620ST	100,000	100,000	5"10"	26	26	3	2	0	85¼ × 18½	HW1157	HIGH TEMPERATURE	◦	◊	-	-	-	-
RP620	75,000	70,000	5"8"	25¾	25¾	5½	4	0	73¼ × 18½	HW1157	HIGH TEMPERATURE	◦	◊	-	-	◦	-
R720	100,000	80,000	5"10"	24	24	6	2	0	85¼ × 18½	HW1157	HIGH TEMPERATURE	◦	◊	-	-	-	-
R820	100,000	80,000	5"10"	24	24	6	2	0	97¼ × 18½	HW1157	HIGH TEMPERATURE	◦	◊	-	-	-	-
R324	50,000	50,000	N/A	3	3	½	N/A	0	35¼ × 26¾	HW1157	HIGH TEMPERATURE	◦	◦	-	-	-	-
RP424	45,000	45,000	5"8"	0	0	0	0	0	35¼ × 26¾	N/A	HIGH TEMPERATURE	-	◊	-	-	◦	-

EXEMPLAR FRAMING

	A	B	C	D
R320	47	55	23¾ [†]	0
R420	47	67	23¾ [†]	0
R520	45	77	23¾ [†]	0
RP620	54	96	26 [†]	0
R720	46	101	23¾ [†]	0
R820	46	113	23¾ [†]	0

EXEMPLAR ST FRAMING

	A	B	C	D
R320ST	47	56 ¹³ / ₁₆	23¾	0
R324	48	49	N/A	10
R420ST	47	68 ¹³ / ₁₆	23¾	0
R520ST	47	80 ¹³ / ₁₆	23¾	0
R620ST	47	92 ¹³ / ₁₆	23¾	0



See instruction manual for detailed instructions

Header on edge not required if framing meets clearance to venting

[†]Dimension is to back wall or back studs