



PHENOM / PROUDLY HANDCRAFTED IN NORTH AMERICA

# PHENOM

MULTI SIDED

## A NEW DIMENSION

### PHENOM SEE THROUGH CONTEMPORARY

L38FSD  
L42FSD  
L52FSD

SEE THROUGH  
DIRECT VENT

#### Standard

- Contemporary burner with Ice fireglass
- Comes with Proflame 2 BASIC control system
- Micro mesh screen
- Manual Hi-Lo flame control

#### Options

- Glass media
- Surrounds in satin black or stainless steel
- Multi-function remote control
- Battery backup
- Remote controlled fans
- WiFi phone app control



#### QUICK DIMENSIONS

|         | L38FSD  |                                | L42FSD   |                                | L52FSD                                |                                |
|---------|---|--------------------------------|--|--------------------------------|---------------------------------------|--------------------------------|
|         | UNIT  | FRAM.                          | UNIT   | FRAM.                          | UNIT                                  | FRAM.                          |
| F.WIDTH | 39 <sup>5</sup> / <sub>16</sub>                                 | 41                             | 43 <sup>3</sup> / <sub>16</sub>                                  | 45                             | 58 <sup>1</sup> / <sub>4</sub>        | 60                             |
| B.WIDTH | 39 <sup>5</sup> / <sub>16</sub>                                 | 41                             | 43 <sup>3</sup> / <sub>16</sub>                                  | 45                             | 58 <sup>1</sup> / <sub>4</sub>        | 60                             |
| HEIGHT  | 33 <sup>3</sup> / <sub>16</sub>                                 | 40                             | 33 <sup>3</sup> / <sub>8</sub>                                   | 40                             | 34 <sup>13</sup> / <sub>16</sub>      | 39                             |
| DEPTH   | 25 <sup>1</sup> / <sub>8</sub>                                  | 23 <sup>3</sup> / <sub>4</sub> | 25 <sup>1</sup> / <sub>4</sub>                                   | 23 <sup>3</sup> / <sub>4</sub> | 25 <sup>3</sup> / <sub>16</sub>       | 23 <sup>3</sup> / <sub>4</sub> |
| VIEWING | 35 <sup>1</sup> / <sub>4</sub> × 19 <sup>3</sup> / <sub>8</sub> |                                | 39 <sup>1</sup> / <sub>2</sub> × 20 <sup>3</sup> / <sub>16</sub> |                                | 47 × 21 <sup>13</sup> / <sub>16</sub> |                                |

#### BTU LISTING

L38FSD\*\* / 27,000  
L42FSD\*\* / 34,000  
L52FSD\*\* / 40,000

#### EFFICIENCY (FE)

L38FSDNI / 58%  
L38FSDN / 58.6%  
L38FSDLI / 59.6%  
L38FSDL / 58.6%

L42FSDNI / 57%  
L42FSDN / 58%  
L42FSDLI / 60%  
L42FSDL / 58%

L52FSDNI / 56.99%  
L52FSDN / 56.71%  
L52FSDLI / 61.2%  
L52FSDL / 60%

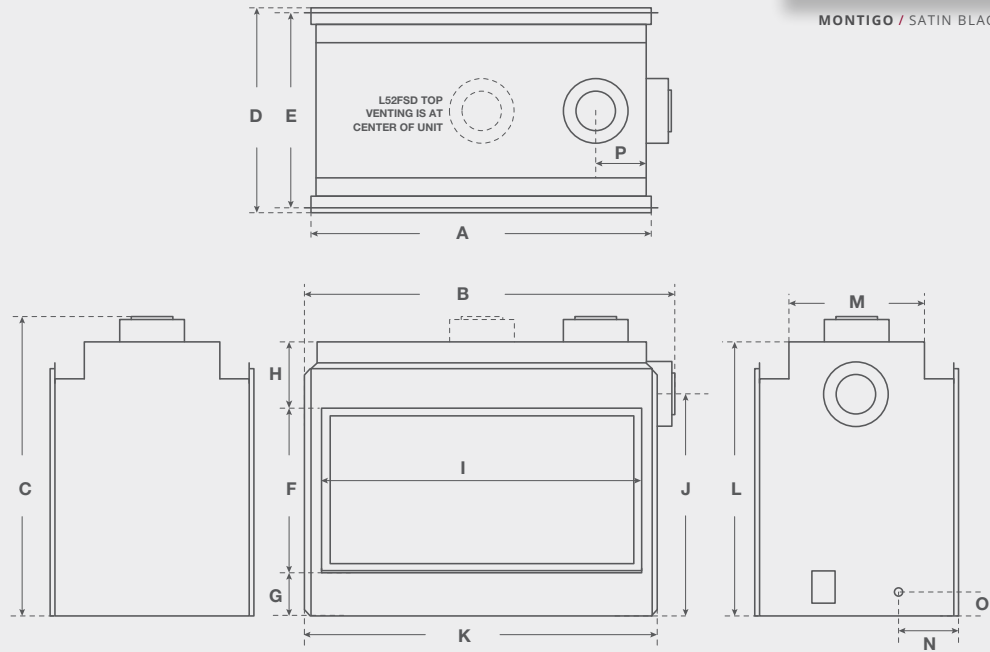




## PHENOM FSD DIMENSIONS

MONTIGO / STAINLESS STEEL SURROUND

MONTIGO / SATIN BLACK SURROUND



|        | A                              | B                               | C                              | D                              | E                              | F                                | G                             | H                              | I                              | J                               | K                               | L                                | M                                | N                             | O | P                              |
|--------|--------------------------------|---------------------------------|--------------------------------|--------------------------------|--------------------------------|----------------------------------|-------------------------------|--------------------------------|--------------------------------|---------------------------------|---------------------------------|----------------------------------|----------------------------------|-------------------------------|---|--------------------------------|
| L38FSD | 37 <sup>3</sup> / <sub>4</sub> | 41 <sup>1</sup> / <sub>8</sub>  | 36                             | 25 <sup>1</sup> / <sub>4</sub> | 23 <sup>3</sup> / <sub>8</sub> | 19 <sup>3</sup> / <sub>8</sub>   | 5 <sup>1</sup> / <sub>4</sub> | 9                              | 35 <sup>1</sup> / <sub>4</sub> | 26 <sup>5</sup> / <sub>8</sub>  | 39 <sup>5</sup> / <sub>16</sub> | 33 <sup>3</sup> / <sub>16</sub>  | 18 <sup>5</sup> / <sub>8</sub>   | 7 <sup>3</sup> / <sub>8</sub> | 3 | 6 <sup>1</sup> / <sub>4</sub>  |
| L42FSD | 42                             | 45 <sup>1</sup> / <sub>16</sub> | 37                             | 25 <sup>1</sup> / <sub>4</sub> | 23 <sup>3</sup> / <sub>8</sub> | 20 <sup>3</sup> / <sub>16</sub>  | 5 <sup>1</sup> / <sub>2</sub> | 8 <sup>3</sup> / <sub>16</sub> | 39 <sup>1</sup> / <sub>2</sub> | 27 <sup>7</sup> / <sub>16</sub> | 43 <sup>9</sup> / <sub>16</sub> | 33 <sup>3</sup> / <sub>8</sub>   | 16 <sup>1</sup> / <sub>16</sub>  | 7 <sup>3</sup> / <sub>8</sub> | 3 | 6 <sup>1</sup> / <sub>4</sub>  |
| L52FSD | 52                             | N/A                             | 38 <sup>1</sup> / <sub>8</sub> | 25 <sup>1</sup> / <sub>4</sub> | 23 <sup>3</sup> / <sub>8</sub> | 21 <sup>13</sup> / <sub>16</sub> | 5 <sup>1</sup> / <sub>2</sub> | 7 <sup>7</sup> / <sub>16</sub> | 47                             | N/A                             | 58 <sup>1</sup> / <sub>4</sub>  | 34 <sup>13</sup> / <sub>16</sub> | 10 <sup>13</sup> / <sub>16</sub> | 7 <sup>3</sup> / <sub>8</sub> | 3 | 29 <sup>1</sup> / <sub>8</sub> |



MONTIGO / PHENOM / L38FSD

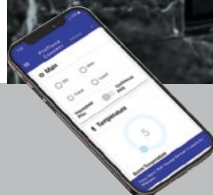
MONTIGO / PHENOM / L38FSD / SAGE FIREBEADS



REMOTE+  
RX100\*\*



WALL REMOTE  
EC1550



WIFI PHONE APP  
CONTROL  
SIT-WIFI<sup>1</sup>

OPTIONS &  
FEATURES

<sup>1</sup>Available on IPI ignition units only (other remotes available for standing pilot)

# Unit Specifications

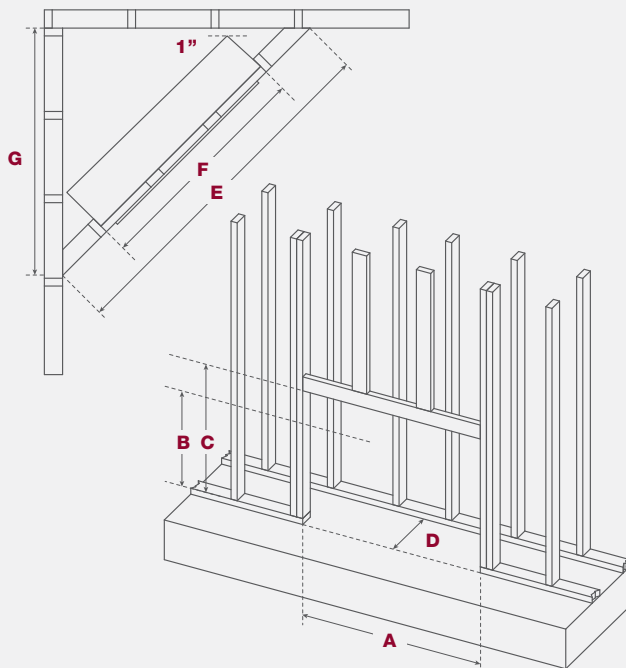
## ICON LEGEND

|           |   |               |   |
|-----------|---|---------------|---|
| AVAILABLE | + | NOT AVAILABLE | - |
| DEDICATED | ◊ | STANDARD      | ◦ |

|          | BTU NATURAL GAS | BTU LIQUID PROPANE | VENTING | CLEARANCE TOP - REAR VENT | CLEARANCE TOP - TOP VENT | CLEARANCE SIDES | CLEARANCE BACK | CLEARANCE FLOOR | FRONT VIEWING AREA | FRONT GLASS TYPE | STANDARD MEDIA | MICRO MESH SCREEN | POWERVENT | REMOTE CONTROL | FANS | UPLIGHTING | DOWNLIGHTING |
|----------|-----------------|--------------------|---------|---------------------------|--------------------------|-----------------|----------------|-----------------|--------------------|------------------|----------------|-------------------|-----------|----------------|------|------------|--------------|
| PL38DF*I | 25,000          | 25,000             | 5"8"    | 9                         | 17½                      | 0               | 0              | 0               | 35¾ × 19½          | HIGH TEMPERATURE | HW1157         | ◦                 | +         | +              | +    | -          | -            |
| PL42DF*I | 32,000          | 32,000             | 5"8"    | 9                         | 17½                      | 0               | 0              | 0               | 39½ × 20¾          | HIGH TEMPERATURE | HW1157         | ◦                 | +         | +              | +    | -          | -            |
| PL52DF*I | 40,000          | 40,000             | 5"10"   | 12                        | 26                       | 2½              | 1              | 0               | 47 × 21¾           | HIGH TEMPERATURE | HW1157         | ◦                 | +         | +              | +    | -          | -            |
| P38DF*I  | 25,000          | 25,000             | 5"8"    | 9                         | 17½                      | 0               | 0              | 0               | 35¾ × 19½          | HIGH TEMPERATURE | HW1106         | ◦                 | +         | ◦              | ◦    | ◦          | -            |
| P42DF*I  | 32,000          | 32,000             | 5"8"    | 9                         | 17½                      | 6               | 0              | 0               | 39½ × 20¾          | HIGH TEMPERATURE | HW1106         | ◦                 | +         | ◦              | ◦    | ◦          | -            |
| P52DF*I  | 40,000          | 40,000             | 5"10"   | 12                        | 26                       | 2½              | 1              | 0               | 47 × 21¾           | HIGH TEMPERATURE | HW1106         | ◦                 | +         | ◦              | ◦    | ◦          | -            |
| L38FSD*I | 27,000          | 27,000             | 5"8"    | 24                        | 24                       | 6               | 2              | 0               | 35¼ × 19¾          | HIGH TEMPERATURE | HW1157         | ◦                 | +         | +              | +    | -          | -            |
| L42FSD*I | 34,000          | 34,000             | 5"8"    | 24                        | 24                       | 6               | 2              | 0               | 39½ × 20¾          | HIGH TEMPERATURE | HW1157         | ◦                 | +         | +              | +    | -          | -            |
| L52FSD*I | 40,000          | 40,000             | 5"8"    | 24                        | 24                       | 6               | 2              | 0               | 47 × 21¾           | HIGH TEMPERATURE | HW1157         | ◦                 | +         | +              | -    | -          | -            |

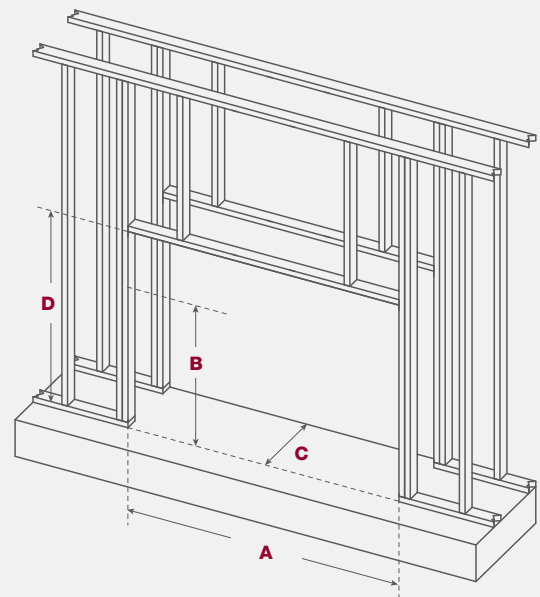
## PHENOM SINGLE SIDED FRAMING

|     | A   | B†  | C   | D   | E   | F   | G   |
|-----|-----|-----|-----|-----|-----|-----|-----|
| P38 | 37¾ | 34¼ | 41¼ | 20⅞ | 76¼ | 37¾ | 53⅞ |
| P42 | 42  | 35  | 42  | 21¾ | 84½ | 42  | 59¾ |
| P52 | 52  | 37½ | 43¾ | 24½ | 98  | 52  | 64¼ |



## PHENOM SEE THROUGH FRAMING

|     | A  | B†  | C   | D  |
|-----|----|-----|-----|----|
| P38 | 41 | 34½ | 23¾ | 40 |
| P42 | 45 | 35  | 23¾ | 40 |
| P52 | 59 | N/A | 23¾ | 39 |



† "B" dimension is from grade to non-combustible stud  
Header on edge not required if framing meets clearance to venting