



# BEAUTY, CREATIVITY

## PRODIGY

Single Sided  
See through

### QUICK DIMENSIONS

	PC3		PC4		PC5		PC6		PC7		PC8	
	UNIT	FRAM.	UNIT	FRAM.	UNIT	FRAM.	UNIT	FRAM.	UNIT	FRAM.	UNIT	FRAM.
F.WIDTH	40 <sup>1</sup> / <sub>4</sub>	42 <sup>1</sup> / <sub>4</sub>	52 <sup>1</sup> / <sub>4</sub>	54 <sup>1</sup> / <sub>4</sub>	64 <sup>1</sup> / <sub>4</sub>	66 <sup>1</sup> / <sub>4</sub>	76 <sup>1</sup> / <sub>4</sub>	78 <sup>1</sup> / <sub>4</sub>	88 <sup>1</sup> / <sub>4</sub>	90 <sup>1</sup> / <sub>4</sub>	100 <sup>1</sup> / <sub>4</sub>	102 <sup>1</sup> / <sub>4</sub>
HEIGHT <sup>o</sup>	23 <sup>1</sup> / <sub>4</sub>	26 <sup>3</sup> / <sub>16</sub>	23 <sup>1</sup> / <sub>4</sub>	26 <sup>3</sup> / <sub>16</sub>	23 <sup>1</sup> / <sub>4</sub>	26 <sup>3</sup> / <sub>16</sub>	23 <sup>1</sup> / <sub>4</sub>	26 <sup>3</sup> / <sub>16</sub>	23 <sup>1</sup> / <sub>4</sub>	26 <sup>3</sup> / <sub>16</sub>	23 <sup>1</sup> / <sub>4</sub>	26 <sup>3</sup> / <sub>16</sub>
SS DEPTH	19 <sup>7</sup> / <sub>8</sub>	19 <sup>1</sup> / <sub>4</sub>	19 <sup>7</sup> / <sub>8</sub>	19 <sup>1</sup> / <sub>4</sub>	19 <sup>7</sup> / <sub>8</sub>	19 <sup>1</sup> / <sub>4</sub>	19 <sup>7</sup> / <sub>8</sub>	19 <sup>1</sup> / <sub>4</sub>	19 <sup>7</sup> / <sub>8</sub>	19 <sup>1</sup> / <sub>4</sub>	19 <sup>7</sup> / <sub>8</sub>	19 <sup>1</sup> / <sub>4</sub>
ST DEPTH	19 <sup>7</sup> / <sub>8</sub>	18 <sup>7</sup> / <sub>16</sub>	19 <sup>7</sup> / <sub>8</sub>	18 <sup>7</sup> / <sub>16</sub>	19 <sup>7</sup> / <sub>8</sub>	18 <sup>7</sup> / <sub>16</sub>	19 <sup>7</sup> / <sub>8</sub>	18 <sup>7</sup> / <sub>16</sub>	19 <sup>7</sup> / <sub>8</sub>	18 <sup>7</sup> / <sub>16</sub>	19 <sup>7</sup> / <sub>8</sub>	18 <sup>7</sup> / <sub>16</sub>
VIEWING	36 x H		48 x H		60 x H		72 x H		84 x H		96 x H	

Unit dimensions do not include mounting flanges

### Standard

- COOL-Pack glass system
- Multi-color LED lighting
- Intake dampers
- Choice of glass media

### Options

- Speckled stones, driftwood
- Indoor-Outdoor seal kit for see through units
- Black reflective glass<sup>†</sup>
- Flue gas dampers

<sup>†</sup> Standard in PC420 PC520 PC620 PC820

<sup>o</sup> Plus glass height

### BTU LISTING

PC\*\*3\*\*N\* / 40,000  
 PC\*\*4\*\*N\* / 50,000  
 PC\*\*5\*\*N\* / 75,000

PC\*\*6\*\*N\* / 88,000  
 PC\*\*7\*\*N\* / 100,000  
 PC\*\*8\*\*N\* / 112,000

PC\*\*3\*\*L\* / 31,000  
 PC\*\*4\*\*L\* / 52,000  
 PC\*\*5\*\*L\* / 64,000

PC\*\*6\*\*L\* / 78,000  
 PC\*\*7\*\*L\* / 105,000  
 PC\*\*8\*\*L\* / 120,000



## Features

All glass barriers, no screen required

Zero clearance

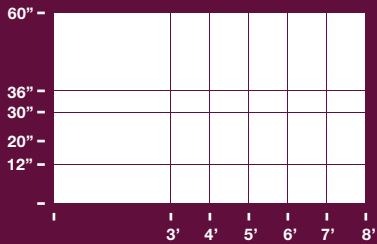
Compatible with home automation systems

Commercial grade valve, burner and control system



# AND SAFETY

### AVAILABLE DIMENSIONS



## Indoor-Outdoor

Bridge the ample beauty of the outdoors with the comfort of your indoor space. Any size see-through prodigy can be transformed into a fully sealed indoor-outdoor unit with the addition of a kit.



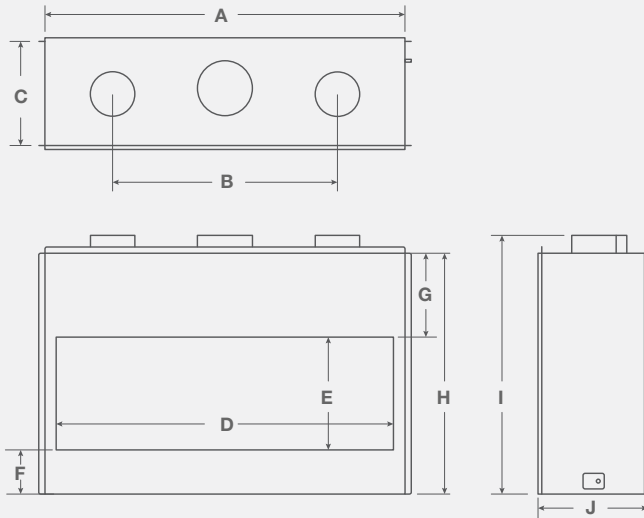
# Unit Dimensions

## FLANGE DIMENSIONS

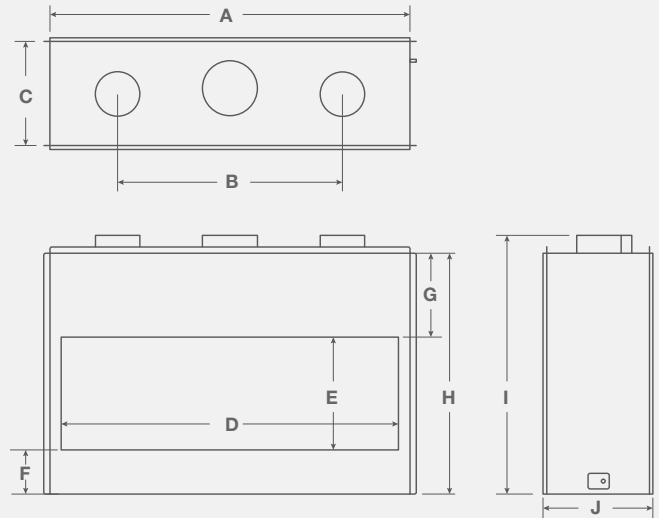
1" mounting flanges are removable and vary in location based on the unit configuration. Flanges on the Single sided and See through units are set back 5/8". Additionally, the flange on the top of all Prodigy configurations is set back 5/8".



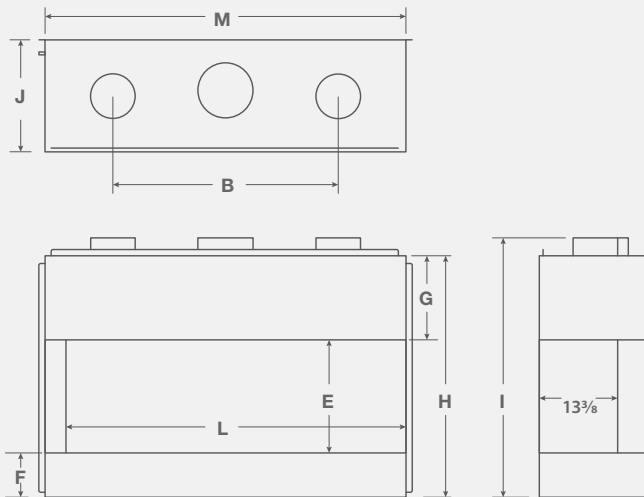
## PRODIGY SINGLE SIDED DIMENSIONS



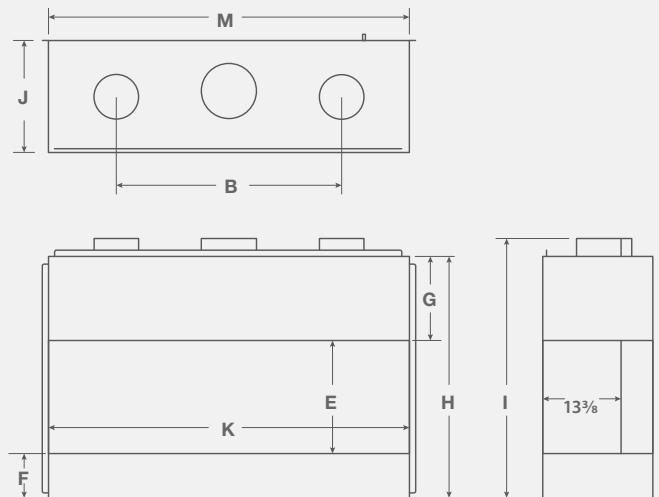
## PRODIGY SEE THROUGH DIMENSIONS



## PRODIGY CORNER DIMENSIONS



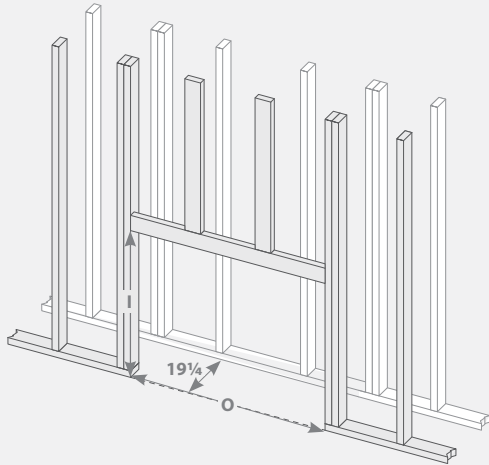
## PRODIGY BAY DIMENSIONS



	AIR INTAKE	EXHAUST	A	B	C	D	E	F	G	H	I	J	K	L	M
8	2X10	12"	100 1/4	60		95 1/2							103 1/2	99 3/4	103 3/8
7	2X8	10"	88 1/4	56		83 1/2							91 1/2	87 3/4	91 7/8
6	2X8	10"	76 1/4	48		71 1/2	12, 20, 30, 36, 60						79 1/2	75 3/4	79 7/8
5	2X8	10"	64 1/4	40	18 5/8	59 1/2		8 1/8	15 1/8	23 1/4 + Glass Height	26 3/16 + Glass Height	19 3/8	67 1/2	63 3/4	67 7/8
4	2X8	10"	52 1/4	32		47 1/2							55 1/2	51 3/4	55 7/8
3	2X6	8"	40 1/4	24		35 1/2							43 1/2	39 3/4	43 7/8

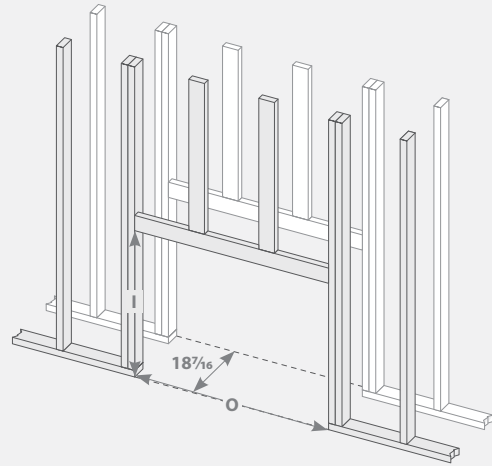
# Unit Framing Rough-in

## PRODIGY SINGLE SIDED FRAMING ROUGH IN



	3'	4'	5'	6'	7'	8'
O	42 <sup>1</sup> / <sub>4</sub>	54 <sup>1</sup> / <sub>4</sub>	66 <sup>1</sup> / <sub>4</sub>	78 <sup>1</sup> / <sub>4</sub>	90 <sup>1</sup> / <sub>4</sub>	102 <sup>1</sup> / <sub>4</sub>
I	26 <sup>3</sup> / <sub>16</sub> + Glass Height					

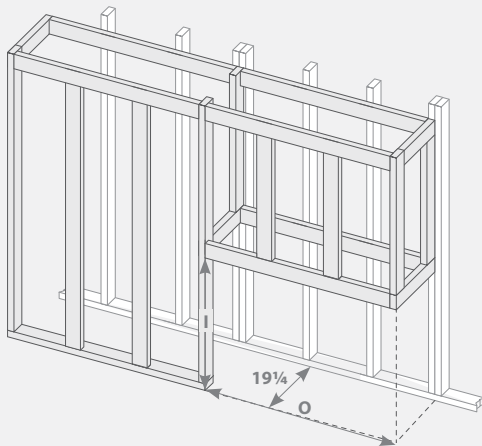
## PRODIGY SEE THROUGH FRAMING ROUGH IN



	3'	4'	5'	6'	7'	8'
O	42 <sup>1</sup> / <sub>4</sub>	54 <sup>1</sup> / <sub>4</sub>	66 <sup>1</sup> / <sub>4</sub>	78 <sup>1</sup> / <sub>4</sub>	90 <sup>1</sup> / <sub>4</sub>	102 <sup>1</sup> / <sub>4</sub>
I	26 <sup>3</sup> / <sub>16</sub> + Glass Height					

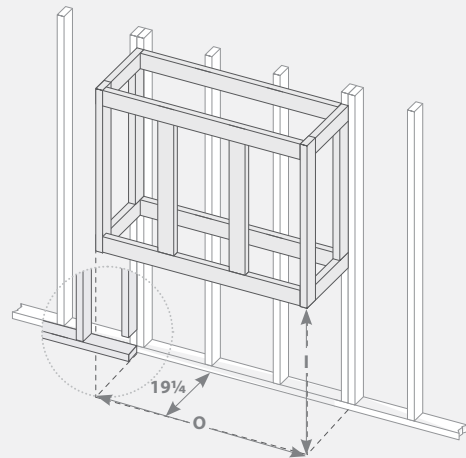
"O" dimension allows the unit to be pushed into place with the mounting flanges still installed. Once the unit is in place, add studs behind the mounting flanges to properly secure.

## PRODIGY CORNER FRAMING ROUGH IN



	3'	4'	5'	6'	7'	8'
O	43 <sup>1</sup> / <sub>4</sub>	55 <sup>1</sup> / <sub>4</sub>	67 <sup>1</sup> / <sub>4</sub>	79 <sup>1</sup> / <sub>4</sub>	91 <sup>1</sup> / <sub>4</sub>	103 <sup>1</sup> / <sub>4</sub>
I	26 <sup>3</sup> / <sub>16</sub> + Glass Height					

## PRODIGY BAY FRAMING ROUGH IN



	3'	4'	5'	6'	7'	8'
O	42 <sup>9</sup> / <sub>16</sub>	54 <sup>9</sup> / <sub>16</sub>	66 <sup>9</sup> / <sub>16</sub>	78 <sup>9</sup> / <sub>16</sub>	90 <sup>9</sup> / <sub>16</sub>	102 <sup>9</sup> / <sub>16</sub>
I	26 <sup>3</sup> / <sub>16</sub> + Glass Height					

# Unit Specifications

## PRODIGY QUICKSHIP

The following units are stocked and feature premium Glacier firestones and pre-installed black reflective glass panels. Natural gas only.  
PC420 PC520 PC620 PC820

	BTU Natural Gas	BTU Liquid Propane	Intake venting	Required B vent	Electrical requirements	Powervent Roof	Powervent Wall	Powervent In-line	Total area of free air intake
PC**3****	40,000	31,000	2 x 6"	8"	Single Phase 200-240VAC	PCSBFPV-R03-08	PCSBFPV-W03-08	PCINGPV-L03-08	56.52 sq.inches
PC**4****	50,000	52,000	2 x 8"	10"	Single Phase 200-240VAC	PCSBFPV-R03-10	PCSBFPV-W03-10	PCINGPV-L03-10	100.48 sq.inches
PC**5****	75,000	64,000	2 x 8"	10"	Single Phase 200-240VAC	PCSBFPV-R03-10	PCSBFPV-W03-10	PCINGPV-L03-10	100.48 sq.inches
PC**6****	88,000	78,000	2 x 8"	10"	Single Phase 200-240VAC	PCSBFPV-R03-10	PCSBFPV-W03-10	PCINGPV-L03-10	100.48 sq.inches
PC**7****	100,000	105,000	2 x 8"	10"	Single Phase 200-240VAC	PCSBFPV-R03-10	PCSBFPV-W03-10	PCINGPV-L03-10	100.48 sq.inches
PC**8****	112,000	120,000	2 x 10"	12"	Single Phase 200-240VAC	PCSBFPV-R03-12	PCSBFPV-W03-12	PCINGPV-L03-12	157 sq. inches

Body finish	Flue location	Intake vent locations	COOL- Pack glass temp.	Burner style	Fuel	Controls	Control cable	Wall switch cable	Damper cable
Matte black	Top	Top both sides	As low as 115°F (46°C)	See chart	Natural gas or propane	On/Off wall switch, multifunction LED remote	50'	25'	50'x2

### SHIPPING WEIGHT (TOTAL CRATED WEIGHT, FIREPLACE AND POWER VENT)

	12" High	20" High	30" High	36" High	60" High
3	690lb	745lb	800lb	850lb	1,060lb
4	770lb	845lb	920lb	990lb	1,220lb
5	850lb	945lb	1,040lb	1,130lb	1,380lb
6	930lb	1,045lb	1,160lb	1,270lb	1,540lb
7	1,010lb	1,145lb	1,280lb	1,410lb	1,700lb
8	1,090lb	1,245lb	1,400lb	1,550lb	1,860lb

Dimension table is based on single sided examples, multi-sided units may fluctuate.  
Weight table is for estimation purposes only, actual weight depends on a variety of factors such as power vent type and media choice.

### STANDARD BURNER STYLE (HIGH-LOW OR RIBBON)

	PC3	PC4	PC5	PC6	PC7	PC8
	BURNER STYLE	BURNER STYLE	BURNER STYLE	BURNER STYLE	BURNER STYLE	BURNER STYLE
60"	ribbon	high-low	high-low	high-low	high-low	high-low
36"	ribbon	high-low	high-low	high-low	high-low	high-low
30"	ribbon	high-low	high-low	high-low	high-low	high-low
20"	ribbon	high-low	high-low	high-low	high-low	high-low
12"	ribbon	ribbon	ribbon	ribbon	ribbon	ribbon



**RIBBON BURNER**

**HIGH-LOW BURNER**