

## DISCONTINUED ITEM

THIS ITEM HAS BEEN DISCONTINUED AND IS  
NO LONGER IN PRODUCTION.  
PLEASE CONTACT YOUR LOCAL MONTIGO DEALER  
REGARDING MAINTENANCE AND SPARE PARTS AVAILABILITY.

# MONTIGO

# INSTALLING AND OPERATING YOUR MONTIGO GAS-BURNING FIREPLACE

Please leave this manual with the owner

**CHECK LOCAL CODES PRIOR TO INSTALLATION**

### FOR YOUR SAFETY

#### IF YOU SMELL GAS:

1. OPEN WINDOWS.
2. DON'T TOUCH ELECTRICAL SWITCHES.
3. EXTINGUISH ANY OPEN FLAME.
4. IMMEDIATELY CALL YOUR GAS SUPPLIER.

### FOR YOUR SAFETY:

DONOT STORE OR USE ANY FLAMMABLE  
VAPOURS OR LIQUIDS NEAR THIS OR ANY  
OTHER GAS-BURNING APPLIANCE.

**READ INSTRUCTIONS CAREFULLY BEFORE INSTALLING**

**MODEL  
MONTIGO 28C**



**CANADIAN HEATING PRODUCTS INC.**

12091-88th Avenue, Surrey, B.C. V3W 3J5

PH #: (604) 597-3115 FAX #: (604) 597-3096

## INTRODUCTION

The **Montigo 28C** is rated at 20,000 BTUs, Natural Gas, 18,000 BTUs Propane Gas.

The Montigo warranty will be voided by, and Montigo disclaims any responsibility for, the following actions:

- Modification of the fireplace and/or components including B-vent assembly or glass doors.
- Use of any component part not manufactured or approved by Montigo in combination with a Montigo fireplace system.
- Installation other than as instructed in this manual.

Consult your local Gas Inspection Branch about the particular requirements concerning installation of factory-built gas fireplaces. **All work should be done by a qualified contractor, and installation must conform with the current Can/CGA B-149 1 and 2 Gas Installation Code and local regulations.**

**The fireplace is not intended to be used as a substitute for a furnace to heat an entire home. Use for supplemental heating only. This unit is not intended for use with a thermostat.**

## CAUTIONS

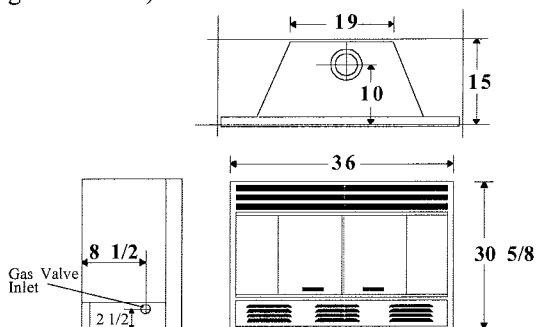
- \*Due to its high operating temperatures, the appliance should be located out of traffic & away from furniture and draperies.
- \*Children and adults should be alerted to the hazards of the high surface temperature, which could cause burns or clothing ignition.
- \*Young children should be carefully supervised when they are in the same room as the appliance.
- \*Clothing or other flammable materials should not be placed on or near the appliance.

## SELECTING YOUR FIREPLACE LOCATION

The fireplace may be installed in any location that is free of air condition ducts, electrical wiring and plumbing. Safety, as well as efficiency of operation, must be considered when selecting the fireplace location. Try to select a location that does not interfere with room traffic, has adequate ventilation, and offers an accessible pathway for B-Vent installation.

The fireplace dimensions are shown below:

**NOTE:** These are not framing dimensions (see figure 2 for framing dimensions).



**FIGURE 1. FIREPLACE DIMENSIONS**

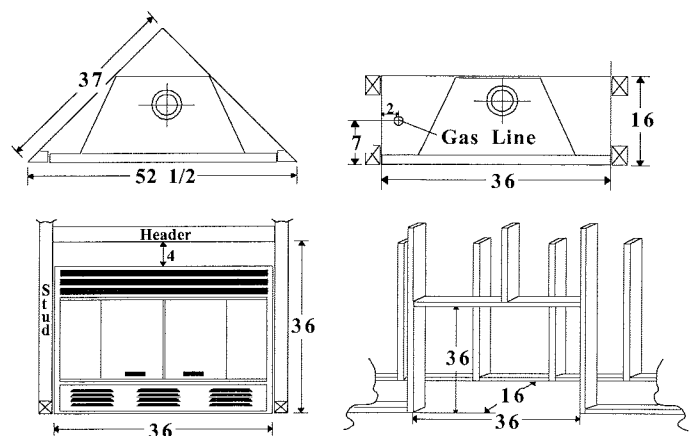
## INSTALLING THE FIREPLACE

The **Montigo 28C** clearances to combustible materials are 0" back 1" sides, 0" floor and 4" top, the **Montigo 28C** must not be installed any closer than 8 inches to any unprotected combustible wall perpendicular to the fireplace opening.

For the protection against freezing temperatures, it is recommended that the outer walls of the chase be insulated with a vapour barrier. This will reduce the possibility of a cold-air convection current on the fireplace.

The B-vent system requires clearance of 1" minimum air space.

The framing dimensions are shown below:



**FIGURE 2. FRAMING DIMENSIONS**

## INSTALLING THE GAS LINE

The gas line must be installed before finishing the **Montigo 28C** fireplace. The gas control valve (which is mounted behind the removable grille at the bottom of the unit), is connected to the gas line through the access opening which is provided on the left side.

## CAUTIONS

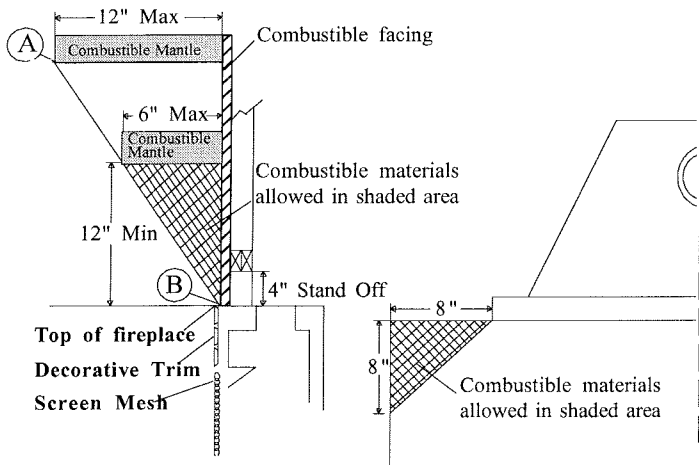
- \*After gas line is connected, it is a Can/CGA B149. code requirement (Section 8.25.3 (e)) that "each appliance connection, valve, valve train, shall be checked while under normal operating pressure with either a liquid solution, or leak detection device, to locate any source of leak." Tighten any areas where bubbling appears or leak is detected until bubbling stops completely. **DO NOT** use a flame of any kind to test for leaks.

## INSTALLING THE REMOTE SWITCH

The **Montigo 28C** is equipped with a remote-operated valve, located behind the removable grille, to the right of the gas control valve. (Refer to Figure 5 on the last page.) The valve is pre-wired and completely self-contained to generate its own power: **DO NOT** connect any external power to it.

## FIREPLACE MANTLE AND FACING

Combustible mantles may be safely installed over the top of the fireplace, provided they do not project beyond a line from point **A** to point **B**, as illustrated in the left side of Figure 3 below. Combustible materials may also be installed next to the sides of the fireplace, provided they do not project beyond the shaded area illustrated in the right side of Figure 3.



**FIGURE 3. COMBUSTIBLE FACINGS**

When selecting the finish material for your fireplace, it is important to remember the following: **GRILLES MUST NOT BE OBSTRUCTED IN ANY WAY; to do so restricts the air supply for the control compartments and also prevents access for servicing controls.**

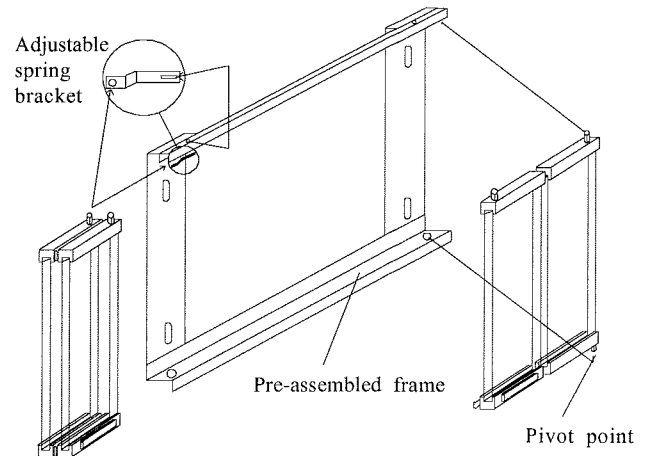
The face of the fireplace may be painted to match the room decor, provided you use a heat-resistant paint. Decorative facing must not extend past the fireplace opening at all, because it will interfere with the operation of the glass doors.

## INSTALLATION OF B-VENT

The **Montigo 28C** requires no appliance connector. Fasten the B-Vent to the L-shaped brackets on each side of the opening with 1/4" sheet metal screws. Do not penetrate the inner sleeve of the B-Vent when tightening the screws. Refer to the current CAN/CGA B-149 1 and 2 Gas Installation Code for specific installation instructions.

## INSTALLATION OF OPTIONAL GLASS DOORS

Standard Montigo 28 C fireplaces are equipped with firescreens. Available, optional glass doors, Montigo BD 28 Bi-fold or Montigo TWD 28 Twin Pane kits are available options premounted in a black metal frame. The door kits are held to the frame by an adjustable spring bracket at the top corner's of the opening and a pivot point at the bottom of the glass doors, see Figure 4.



**FIGURE 4. BIFOLD DOOR MOUNTING**

### WARNING

**Use only Montigo CGA certified doors with Montigo CGA certified appliances.**

**Remove the protective sheet from the door before operating appliance. Failure to do so will damage trim finish.**

To install the door kit in the **Montigo 28C**:

- Remove the metal trim from the bottom border of the fireplace opening by removing the three screws on the top edge of the trim
- Remove the doors from the frame. Each door is opened by pulling the handle outward in a rotating motion so the door folds at the outer edge. Then hold the spring bracket flush against the top rail, slide the top of the glass door over spring bracket towards middle of opening and lift pivot point from bottom rail. **HANDLE THE DOORS GENTLY; DO NOT SCRATCH THE BRASS TRIM.**
- Set the frame in the fireplace opening with lower frame lip resting onto the bottom of fireplace opening. The top edge of the frame should then be adjusted to parallel the brass trim and fastened.
- Fasten the frame by inserting the 4 screws into the pre-drilled slots of the glass door frame. (Use these slots if necessary to align and pre-drill a small starter hole into the fireplace before installing screws.) To avoid stripping do not over tighten screws.
- Remount the doors. If the doors are not aligned evenly when they close, the brackets should be adjusted to "square" the doors. Any of the brackets can be repositioned by slightly loosening the screw at the bracket, sliding the bracket in the desired direction and re-tightening the screw.

## INSTALLING LOGS

**Montigo 28C** Fireplaces are supplied with four very attractive cultured oak logs. To install simply place log "A's" rectangular shaped extension into the log rest "B" located on rear wall of fireplace. Place the slot of log "C" over the pilot runner bar "D" and against log positioner "E". Next place logs "F" and "G" onto mating position of logs "A" and "C", as shown in Figure 5 below.

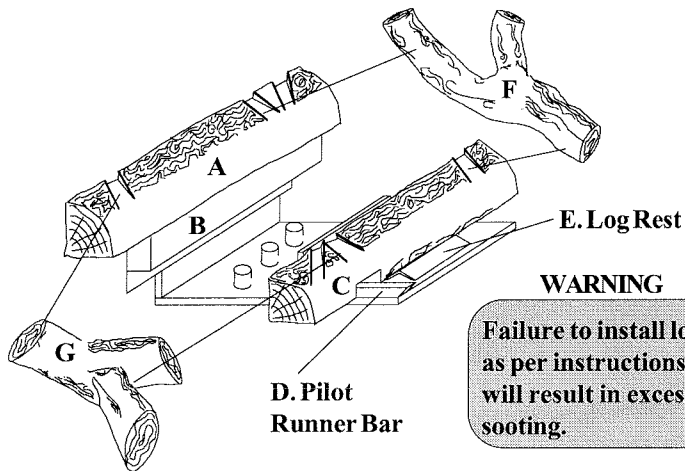


FIGURE 5. LOG SET

## LIGHTING PILOT AND MAIN BURNER

The gas control valve is located behind the grille in the centre of the fireplace (see Figure 6 below). Before lighting the pilot, make sure that the gas line is connected and the gas shut-off valve is turned to the ON position.

To light the pilot we recommend the use of a long match or removal of log "C", "F", "G":

- Partially depress and turn dial on gas control valve to "OFF" position and wait 5 minutes.
- Turn dial to pilot position, depress dial and light pilot burner, hold for 1 minute, then release. If pilot does not remain ignited, repeat, allowing a longer time to elapse before releasing dial.
- To light the main burner, turn dial to "ON", then turn on remote switch.
- Turn off flame with remote switch. For complete shut down, slightly depress gas control valve dial and turn to "OFF" position.

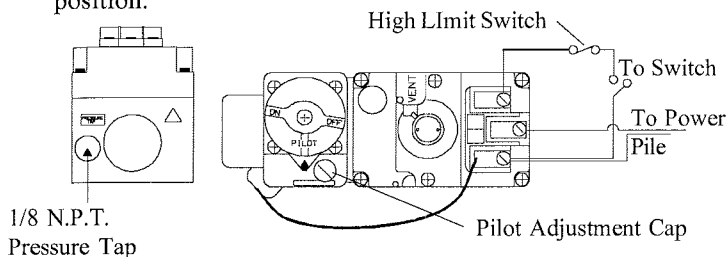


FIGURE 6. GAS CONTROL VALVE

## PILOT BURNER ADJUSTMENT

- Remove Pilot Adjustment Cap (see figure 6).
- Adjust pilot key to provide properly sized flame. See Figure 7 for properly sized flame.
- Replace pilot adjustment cap.
- Leak test with a soap solution after installing or servicing with main burner on. Coat pipe and tubing joints, gasket etc. with soap solution. Bubbles indicate leaks. Tighten any areas where the bubbles appear until the bubbling stops completely.

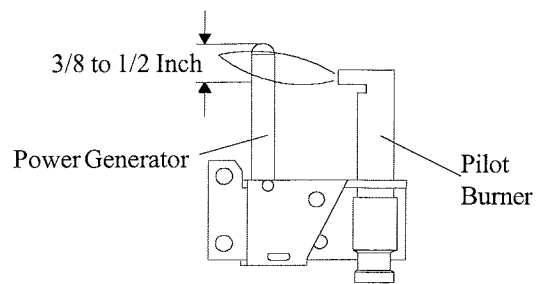


FIGURE 7. PILOT BURNER ADJUSTMENT

## MAINTENANCE

Have the fireplace installation inspected yearly, including a visual check of the vent system, the burner and the pilot flame. For your convenience a 1/8" pressure tap is supplied on the gas valve for a test gauge connection. See Figure 6. This appliance requires a minimum gas pressure of 7" W.C. for natural gas and 11" W.C. for propane. Always keep the fireplace area clear and free of combustible materials, as well as gasoline and other flammable vapours and liquids. Use a vacuum cleaner or whisk broom to keep the control compartment, burner, and firebox free from dust and lint. Logs may be cleaned periodically with soap and water to remove soot and other contamination.

## SERVICE PERSON

The appliance should be inspected before use; more frequent cleaning may be required due to excessive lint from carpeting, bedding material, etc.; it is imperative that control compartments, burners, & circulating air passageways of the appliance be kept clean.

## CAUTIONS

- \* Fireplace gas control must be in the "OFF" position and pilot and main burners extinguished when cleaning appliance with a vacuum.
- \* Logs can get very hot, handle only when logs are cool.

The following is a troubleshooting chart of possible problems:

PROBLEM	CORRECTIVE ACTION
Noisy Pilot Flame	Turn pilot adjustor screw, located next to gas shut off valve. Flame is decreased by turning screw clockwise
Pilot Won't Ignite	Disconnect remote wires and try to light pilot. If pilot now works, remote connections are faulty. If pilot still won't ignite, problem is in the control valve area, probably a faulty wire connection.
Flame Cycles Off and On	High limit switch is activating. <b>Vents Blocked:</b> Clear flue passage. <b>Severe Down Draft:</b> Check combustion air supply source of energy causing negative condition within the home

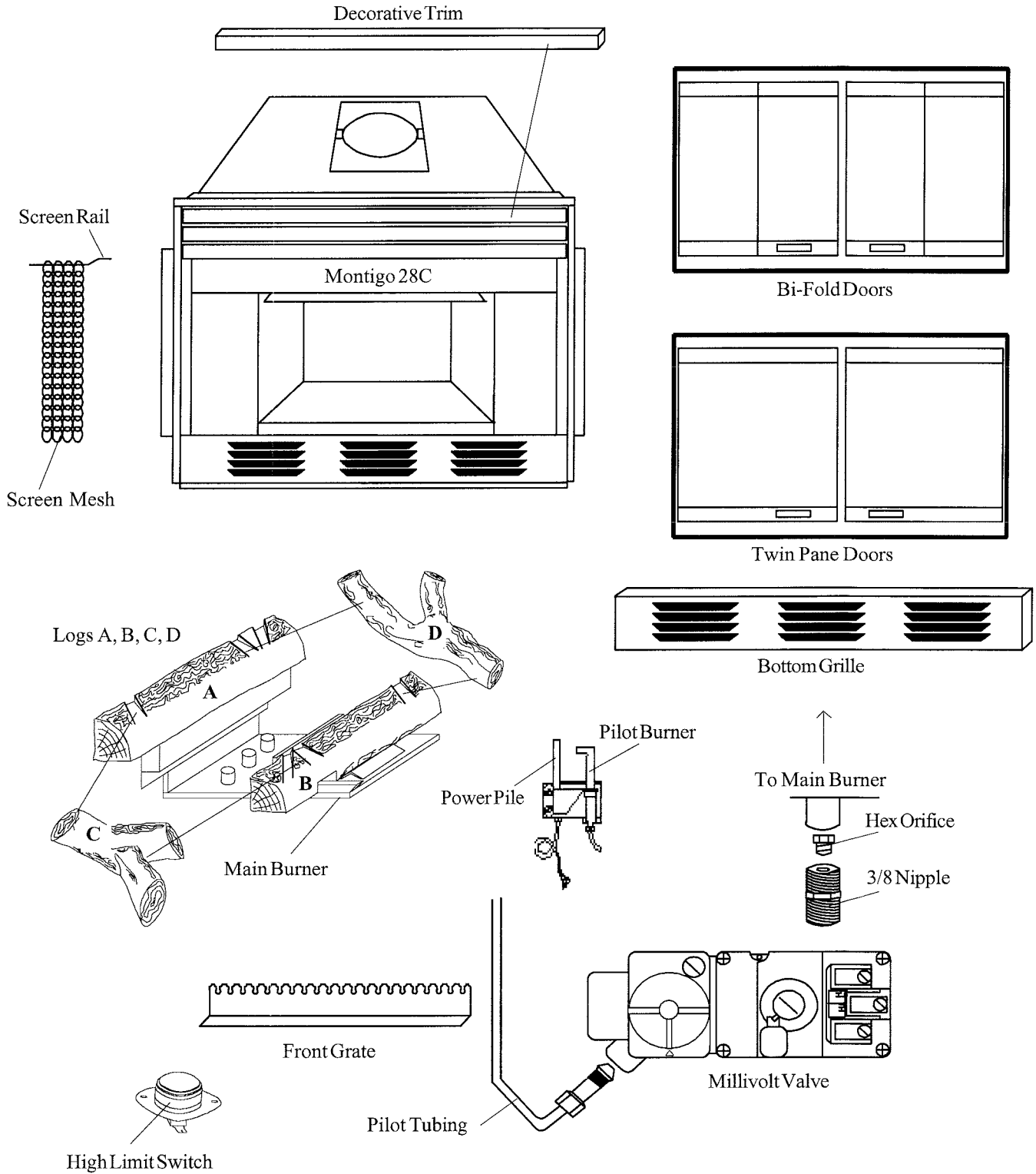
If your **MONTIGO 28C** still does not operate correctly, consult your dealer or the manufacturer.

All service and repairs should be performed by a qualified agency

All spare parts are available from Canadian Heating Products Inc. or your local dealer.

The **Montigo 28C** has a ten-year unlimited warranty on the firebox, a five-year warranty on the main burner, pilot burner and cultured oak logs. Also a one-year warranty on the gas control valve, and a 90 day warranty on the bifold glass doors.

# MONTIGO 28C SPARE PARTS LIST



## PARTS LIST

Decorative Trim	Power Pile	3/8 Nipple
Screen Rail	Pilot Burner	Hex Orifice
Screen Mesh	Front Grate	Bottom Grille
Logs	Pilot Tubing	Twin Pane Doors
Main Burner	Millivolt Valve	Bi-Fold Doors
		High Limit Switch

**MONTIGO 28C  
DECORATIVE GAS FIREPLACES  
WARRANTY**

**THE WARRANTY**

Canadian Heating Products Inc. warrants the Montigo 28C Decorative Gas Appliance to be free from defects in materials and workmanship at the time of manufacture. On the Montigo 28C there is a ten-year warranty on the firebox and its components, a five-year warranty on the main burner, pilot burner and cultured oak logs. As well as a one-year warranty on the gas control valve, and bifold glass doors.

**REMEDY AND EXCLUSIONS**

The coverage of this Warranty is limited to all components of the decorative gas appliance manufactured by Canadian Heating Products Inc. This Warranty only covers Montigodecorative gas appliances installed in the United States or Canada.

If the components of the decorative gas appliance covered by this Warranty are found to be defective within the time frame stated (see Canadian Heating's right of investigation outlined below), Canadian Heating will, at its option, replace or repair defective components of the decorative gas appliance manufactured by Canadian Heating Products Inc at no charge, and will also pay for reasonable labor costs incurred in replacing or repairing components. If repair or replacement is not commercially practical, Canadian Heating will, at its option, refund the purchase price of the Montigo 28C decorative gas appliance.

This warranty covers only parts and labor as provided above. In no case shall Canadian Heating Products Inc. be responsible for materials, components, or construction which are not manufactured or supplied by Canadian Heating Products Inc., or for the labor necessary to install, repair or remove such materials, components or construction. All replacement or repair components will be shipped F.O.B. the nearest Canadian Heating Products Inc. factory.

**QUALIFICATIONS TO THE WARRANTY**

The decorative gas appliance Warranty outlined above is further subject to the following qualifications:

- (1) The decorative gas appliance must be installed in accordance with Canadian Heating Products Inc. installation instructions and local building codes. The Warranty on this Montigo 28C decorative gas appliance covers only the component parts manufactured by Canadian Heating Products Inc. The use of components manufactured by others with this Montigo 28C decorative gas appliance could create serious safety hazards, may result in the denial of certification by recognized national safety agencies, and could be in violation of local building codes. This warranty does not cover any damages occurring from the use of any components not manufactured or supplied by Canadian Heating Products Inc.
- (2) The Montigo 28C decorative gas appliance must be subjected to normal use. The decorative gas appliances are designed to burn gas only. Burning conventional fireplace fuels such as wood, coal or any other solid fuel will cause damage to the decorative gas appliance, will produce excessive temperatures and will result in a fire hazard.

**LIMITATIONS ON LIABILITY**

It is expressly agreed and understood that Canadian Heating Products Inc.'s sole obligation and purchaser's exclusive remedy under this warranty, under any other warranty, expressed or implied, or in contract, tort or otherwise, shall be limited to replacement, repair, or refund, as specified above.

In no event shall Canadian Heating Products Inc. be responsible for any incidental or consequential damages caused by defects in its products, whether such damage occurs or is discovered before or after replacement or repair, and whether or not such damage is caused by Canadian Heating Products Inc.'s negligence. Some states do not allow the exclusion or limitation of incidental or consequential damages, so the above limitation or exclusion may not apply to you. The duration of any implied warranty with respect to this Montigo 28C decorative gas appliance is limited to the duration of the foregoing warranty. Some states do not allow limitation on how long an implied warranty lasts, so the above may not apply to you.

**INVESTIGATION OF CLAIMS AGAINST WARRANTY**

Canadian Heating Products Inc. reserves the right to investigate any and all claims against this Warranty and to decide upon method of settlement.

**CANADIAN HEATING PRODUCTS INC. NOT RESPONSIBLE FOR WORK DONE WITHOUT WRITTEN CONSENT**

Canadian Heating Products Inc. shall in no event be responsible for any warranty work done without first obtaining Canadian Heating's written consent.

**DEALERS HAVE NO AUTHORITY TO ALTER THIS WARRANTY**

Canadian Heating Products Inc. 's employees and dealers have no authority to make any warranties nor to authorize any remedies in addition to or inconsistent with those stated above.

**HOW TO REGISTER A CLAIM AGAINST WARRANTY**

In order for any claim under this Warranty to be valid, Canadian Heating Products Inc. must be notified of the claimed defect in writing or by telephone to Canadian Heating Products Inc., attention Customer Service Department 12091 88th Avenue, Surrey, B.C. V3W 3J5. Telephone (604) 597-3115, as soon as reasonably possible after the defect is discovered. Claims against this Warranty in writing should include the date of installation, and a description of the defect.

Canadian Heating Products Inc. reserves the right to make changes at any time, without notice, in design, materials, specifications, prices and also to discontinue colors, styles and products.

This Warranty gives you specific legal rights, and you may also have other rights which vary from state to state.

**DISTRIBUTED BY:**



**CANADIAN HEATING PRODUCTS INC.**  
12091-88th Avenue, Surrey, B.C. V3W 3J5  
Telephone (604) 597-3115  
Fax (604) 597-3096