

DISCONTINUED ITEM

THIS ITEM HAS BEEN DISCONTINUED AND IS
NO LONGER IN PRODUCTION.
PLEASE CONTACT YOUR LOCAL MONTIGO DEALER
REGARDING MAINTENANCE AND SPARE PARTS AVAILABILITY.

MONTIGO

INSTALLING AND OPERATING YOUR MONTIGO GAS-BURNING FIREPLACE

Please leave this manual with the owner
CHECK LOCAL CODES PRIOR TO INSTALLATION

FOR YOUR SAFETY

WHAT TO DO IF YOU SMELL GAS:

- Do not try to light any appliance.
- Do not touch any electrical switch; do not use any phone in your building.
- Immediately call your gas supplier from a neighbour's phone. Follow the gas supplier's instructions.
- If you cannot reach your gas supplier, call the fire department.

FOR YOUR SAFETY:

Do not store or use gasoline or other flammable vapours and liquids in the vicinity of this or any other appliance.

WARNING:

Improper installation, adjustment, alteration, service or maintenance can cause injury or property damage. Refer to this manual. For assistance or additional information consult a qualified installer, service agency or the gas supplier.

READ INSTRUCTIONS CAREFULLY BEFORE INSTALLING

**MODEL
MONTIGO 36C**



CANADIAN HEATING PRODUCTS INC.

12091 - 88 TH AVE., SURREY, B.C. CANADA V3W 3J5 PH. (604) 597-3115 FAX: (604) 597-3096

INTRODUCTION

The **Montigo 36C** is rated at 35,000 BTUs. (10.15 Kilowatts) for Natural Gas & 35,000 BTUs (10.15 Kilowatts) for Propane gas. The Montigo warranty will be voided by, and Montigo disclaims any responsibility for, the following actions:

- Modification of the fireplace and/or components including glass doors.
- Use of any component part not manufactured or approved by Montigo in combination with this Montigo fireplace system.
- Installation other than as instructed in this manual.

Consult your local Gas Inspection Branch about the particular requirements concerning installation of factory-built gas fireplaces. **Installation & repairs should be done by a qualified contractor, and installation must conform with local codes or, in the absence of local codes, with the National Fuel Gas Code, ANSI Z223.1-1988. When the unit employs the OPTIONAL Fan Kit it must be electrically grounded in accordance with local codes or, in the absence of local codes, with the National Electrical Code, ANSI/NFPA 70-1987.**

CAUTIONS

- * **Due to its high operating temperatures, the appliance should be located out of traffic & away from furniture and draperies.**
- * **Children and adults should be alerted to the hazards of the high surface temperature, which could cause burns or clothing ignition.**
- * **Young children should be carefully supervised when they are in the same room as the appliance.**
- * **Clothing or other flammable materials should not be placed on or near the appliance.**

SELECTING YOUR FIREPLACE LOCATION

The fireplace may be installed in any location that is free of air condition ducts, electrical wiring and plumbing. Safety, as well as efficiency of operation, must be considered when selecting the fireplace location. Try to select a location that does not interfere with room traffic, has adequate ventilation, and offers an accessible pathway for B-Vent installation.

The fireplace dimensions are shown below:

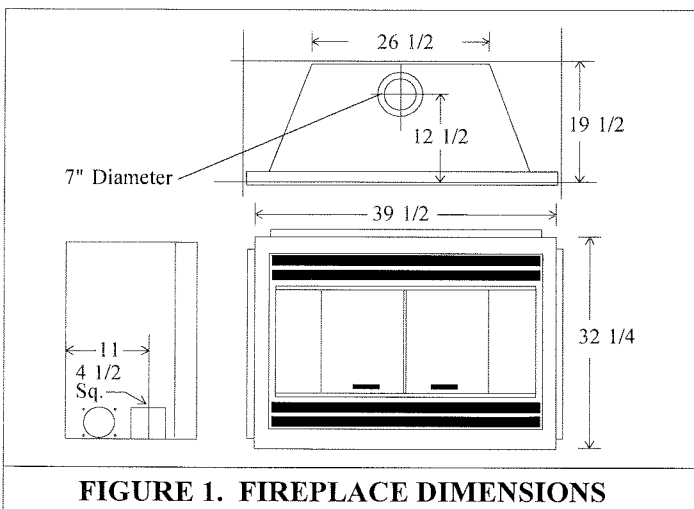


FIGURE 1. FIREPLACE DIMENSIONS

INSTALLING THE FIREPLACE

The **Montigo 36C** clearances to combustibles are 0" back, 1" sides, 0" floor and 9" top. The **Montigo 36C** must not be installed any closer than 3 inches to any unprotected combustible wall perpendicular to the fireplace opening.

WARNING: When this appliance is installed directly on carpeting, tile or other combustible materials other than wood flooring, the appliance shall be installed on a metal or wood panel extending the full width and depth of the appliance.

This appliance must not be connected to a chimney flue serving a separate solid-fuel burning appliance.

For protection against freezing temperatures, it is recommended that outer walls of the chase be insulated with a vapour barrier. This will reduce the possibility of a cold-air convection current on the fireplace.

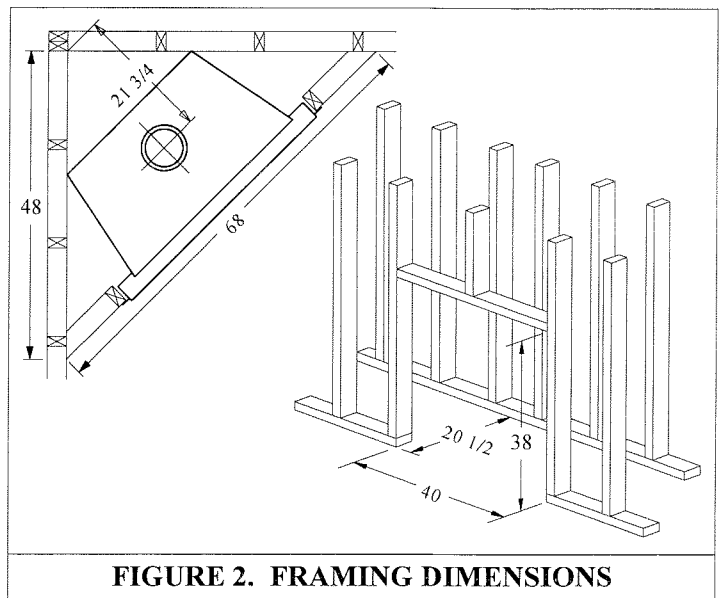


FIGURE 2. FRAMING DIMENSIONS

INSTALLING THE GAS LINE

The gas line must be installed before finishing the Montigo 36C Fireplace. **Natural Gas** requires a minimum inlet gas supply pressure of 5.5" W.C. & a manifold pressure of 3.5" W.C. **Propane Gas** requires a minimum inlet gas supply pressure of 11" W.C. & a manifold pressure of 10.5" W.C. The gas control valve (which is mounted behind the removable brass trims at the bottom of the unit), is connected to the gas line through the access opening which is provided on the left side. Provide a 1/8" N.P.T. plugged tapping, accessible for test gauge connection immediately up stream of the gas supply connection to the fireplace. The maximum inlet gas supply pressure is 1/2 psig (3.5 kPa).

The appliance and its individual shutoff valve must be disconnected from the gas supply piping system during any pressure testing of that system at test pressures in excess of 1/2 psig (3.5 kPa).

The appliance must be isolated from the gas supply piping system by closing its individual manual shutoff valve during any pressure testing of the gas supply piping system at test pressures equal to or less than 1/2 psig (3.5 kPa).

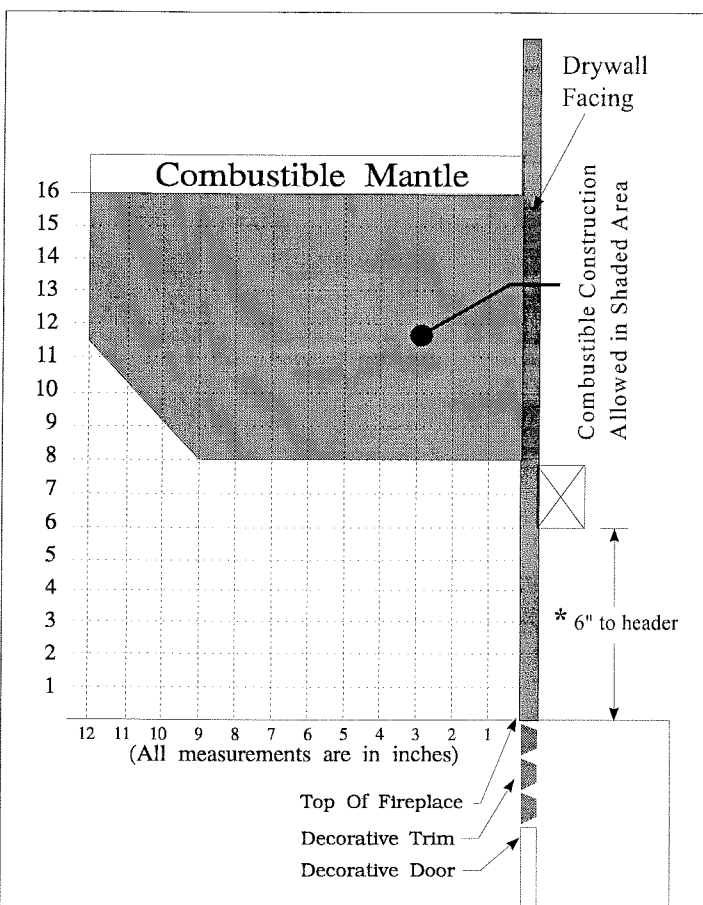
FIREPLACE MANTEL AND FACING

Combustible mantels and mouldings may be safely installed over the top and on the front of the fireplace provided that they do not project beyond shaded area shown in **figure 3**. Side wall clearances are 3". Combustible surrounds may be installed with 3" clearance to the side of the fireplace as shown in **figure 4**.

FIREPLACE FACING

When selecting the finish material for your fireplace, it is important to remember the following: **BRASS TRIMS MUST NOT BE OBSTRUCTED IN ANY WAY - to do so restricts the air supply for the control compartments and heat exchanger it also prevents access for servicing controls.**

The face of the fireplace may be painted to match the room decor, provided you use a heat-resistant paint. Decorative facing must not extend past the fireplace opening at all, because it will interfere with the access to retainers for removal of glass door.



* NOTE: When framing over the fireplace 9" minimum clearance to combustible is required.

FIGURE 3. COMBUSTIBLE MANTLES & FACINGS

MANTELS & SURROUNDS

NOTE: National American Gas Association mantel test requirements are for fire hazard prevention to combustible materials.

New technology, to meet consumer and government demands for the wise use of energy, has prompted us to manufacture many models of fireplaces which are hot, fuel and energy efficient.

Please be aware; temperatures over the mantel will rise above normal room temperature and walls above fireplace may be hot to touch.

We recommend careful consideration be given to the effects of elevated mantel temperatures which may be in excess of product design, for example: candles, plastic or pictures. This can cause melting, deformation, discoloration or premature failure of T.V. and radio components.

Painting: Special care is recommended by the Master Painters and Decorators Association, when painting the fireplace surrounds, to select and apply a quality Alkyd sealer prior to the applying of latex paints. This is to prevent leaching of water from evaporation and causing a brownish staining effect to paint over coats.

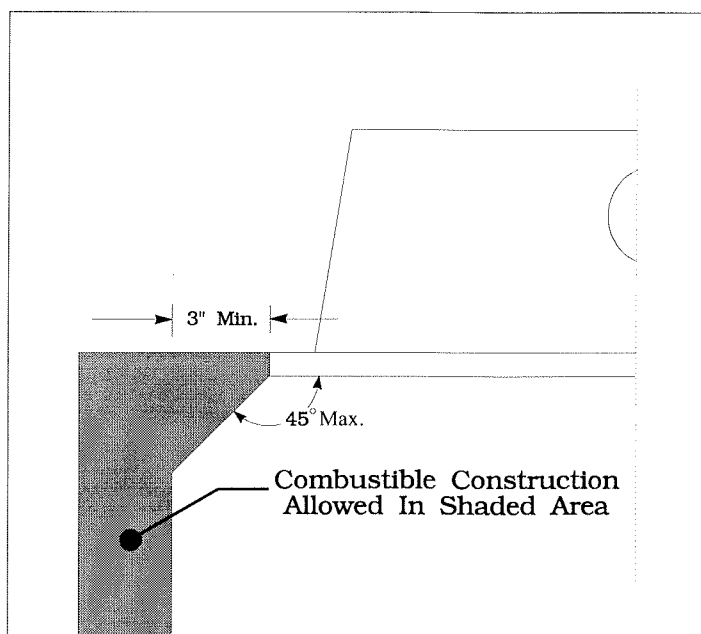


FIGURE 4. COMBUSTIBLE SURROUNDS

INSTALLATION OF B-VENT:

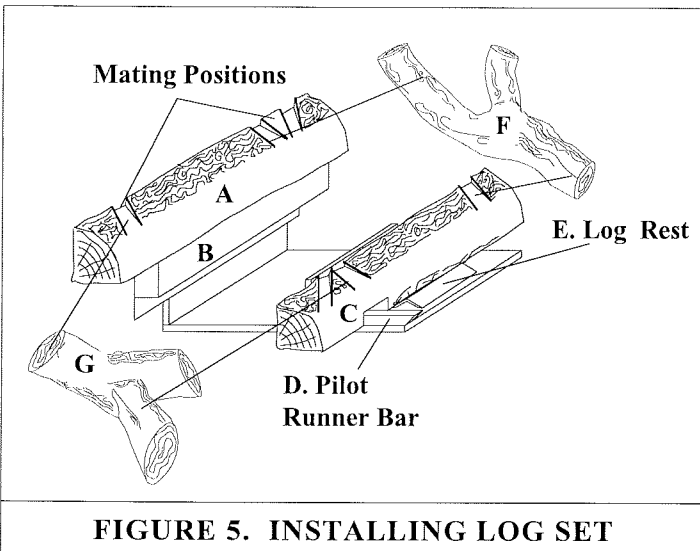
The **Montigo 36C** requires **7" B-Vent** and no B-Vent appliance connector. Simply fasten the B-Vent to the L-shaped brackets on each side of the opening with 1/4" sheet metal screws. Do not penetrate the inner sleeve of the B-Vent when tightening the screws.

Refer to the current National Fuel Gas Code, ANSI Z223.1-1988 for specific vent sizing.

CAUTION: Test your B-Vent installation after completion to assure that no combustible by-products are spilling from the fireplace opening. This draft test should be performed after a three(3) minute warm up period. Canadian Heating Products Inc. will not be responsible for any installations with inadequate draw.

INSTALLING LOGS

Montigo 36C Fireplaces are supplied with four very attractive cultured oak logs. To install simply place log "A's" rectangular shaped extension into the log rest "B" located on rear wall of fireplace. Place the slot of log "C" over the pilot runner bar "D" and against log positioner "E". Next place logs "F" and "G" onto mating position of logs "A" and "C", as shown in **FIGURE 5** below.



WARNING: FAILURE TO INSTALL LOGS AS PER INSTRUCTIONS WILL RESULT IN EXCESSIVE SOOTING.

LIGHTING PILOT AND MAIN BURNER

The gas control valve is located behind the brass trim in the centre of the fireplace (see **Figure 6** below). Before lighting the pilot, make sure that the gas line is connected and the gas shut-off valve is turned to the ON position.

LIGHTING INSTRUCTIONS:

- Partially depress and turn dial on gas control valve to "OFF" position and wait 5 minutes.
- Turn dial to pilot position, depress dial and light pilot burner, using piezo igniter, hold the dial depressed for 1 minute, then release. If pilot does not remain ignited, repeat, allowing a longer time to elapse before releasing dial.
- To light the main burner, turn dial to "ON", then turn on remote switch.
- Turn off flame with remote switch. For complete shut down, slightly depress gas control valve dial and turn to "OFF" position.

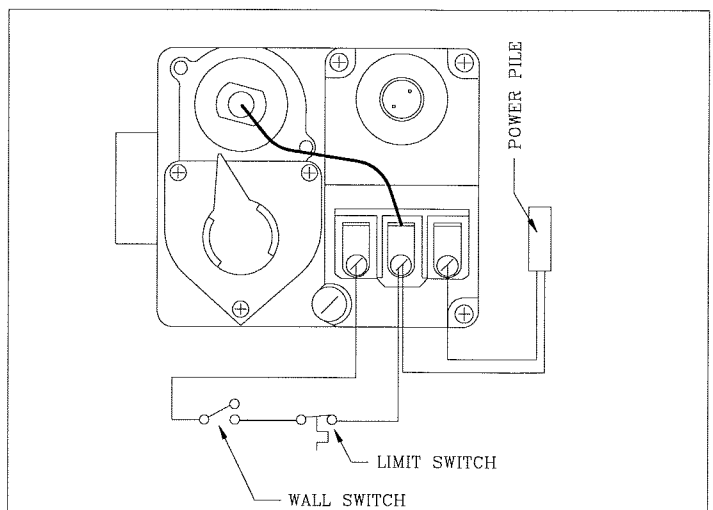
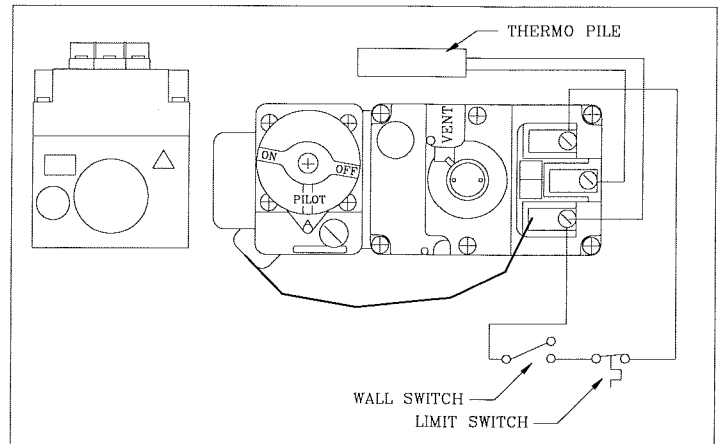


FIGURE 7. WHITE ROGERS ALTERNATE GAS CONTROL VALVE

PILOT BURNER ADJUSTMENT

1. Remove Pilot Adjustment Cap. (see figure 6 or 7)
2. Adjust pilot key to provide properly sized flame. See **Figure 8 for properly sized flame.**
3. Replace pilot adjustment cap.
4. Leak test with a soap solution after installing or servicing with main burner on. Coat pipe and tubing joints, gasket etc. with soap solution. Bubbles indicate leaks. Tighten any areas where the bubbles appear until the bubbling stops completely.

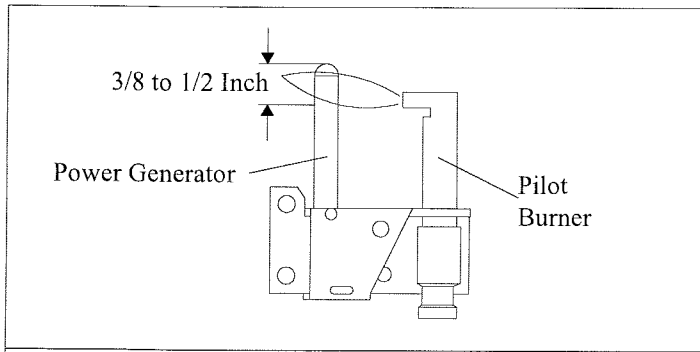


FIGURE 8. PILOT BURNER ADJUSTMENT

MAINTENANCE

- Have the fireplace installation inspected yearly, including a visual check of the vent system, the burner and the pilot flame. For your convenience a 1/8" manifold pressure tap is supplied on the gas valve for a test gauge connection. See Figure 5 or 6.
- For **Natural Gas** this appliance requires a minimum inlet pressure of 5.5" W.C. and a manifold pressure of 3.5" W.C.
- For **Propane Gas** this appliance requires a minimum inlet pressure of 11" W.C. and a manifold pressure of 10.5" W.C.
- Always keep the fireplace area clear and free of combustible materials, as well as gasoline and other flammable vapours and liquids.
- Use a vacuum cleaner or whisk broom to keep the control compartment, burner, and firebox free from dust and lint.
- Logs maybe cleaned periodically with soap and water to remove soot and other contamination.
- Do not use this appliance if any part has been under water. Immediately call a qualified service technician to inspect the appliance and to replace any part of the control system and any gas control which has been under water.

SERVICE PERSON

The appliance should be inspected before use; more frequent cleaning may be required due to excessive lint from carpeting, bedding material, etc.; it is imperative that control compartments, burners, & circulating air passageways of the appliance be kept clean.

CAUTIONS

- * Fireplace gas control must be in the "OFF" position and pilot and main burners extinguished when cleaning appliance with a vacuum.
- * Logs can get very hot, handle only when logs are cool.

The following is a troubleshooting chart of possible problems:

PROBLEM	CORRECTIVE ACTION
Noisy Pilot Flame	Turn pilot adjuster screw, located next to gas shut off valve. Flame is decreased by turning screw clock wise
Pilot Won't Ignite	Disconnect remote wires and try to light pilot. If pilot now works, remote connections are faulty. If pilot still won't ignite, problem is in the control valve area, probably a faulty wire connection.
Flame Cycles Off and On	High limit switch is activating. Vents Blocked: Clear flue passage. Severe Down Draft: Check combustion air supply source of energy causing negative condition within the home.

If your **Montigo 36C** still does not operate correctly, consult your dealer or the manufacturer.

All service and repairs should be performed by a qualified agency

All spare parts are available from Canadian Heating Products Inc. or your local dealer.

The **Montigo 36C** has a ten-year unlimited warranty on the firebox, a five-year warranty on the main burner, pilot burner and cultured oak logs. Also a one-year warranty on the gas control valve, and a 90 day warranty on the bifold glass doors.



SERIAL NO.

CANADIAN HEATING PRODUCTS INC. SURREY, B.C.

LISTED VENTED DECORATIVE APPLIANCE - NOT A SOURCE OF HEAT - NOT FOR USE WITH SOLID FUEL

MODEL: MONTIGO 36C

TESTED TO: ANSI Z21.50b - 1990

INPUT ORIFICE SIZES:	NAT: 35,000, LPG: 35,000 BTU/HR 36 DMS NATURAL GAS 52 DMS PROPANE
----------------------	---

OPTIONAL FANS: 115V; 1PH;
60HZ; LESS THAN 12 AMPS

TYPE OF GAS: NATURAL
PROPANE

	NATURAL	PROPANE
GAS MANIFOLD PRESSURE:	3.5" W.C.	10.5" W.C.
MIN. GAS SUPPLY PRESSURE:	5.5" W.C.	11" W.C.

DUE TO HIGH SURFACE TEMPERATURES KEEP CHILDREN, CLOTHING, AND FURNITURE AWAY. KEEP GASOLINE AND OTHER LIQUIDS HAVING FLAMMABLE VAPOURS AWAY. KEEP BURNER AND CONTROL COMPARTMENT CLEAN. SEE INSTALLATION AND OPERATING INSTRUCTIONS ACCOMPANYING THE APPLIANCE.

MINIMUM CLEARANCE TO COMBUSTIBLES				
BACK:	0 in.	SIDES:	1 in.	
FLOOR:	0 in.	TOP:	9 in.	
MIN. RECESS DEPTH:	20 1/2 in		MANTLE:	8 in.
VENT CLEARANCES:	1 in			

FOR YOUR SAFETY READ BEFORE LIGHTING

WARNING: If you do not follow these instructions exactly, a fire or explosion may result causing property damage, personal injury or loss of life

- A. This appliance has a pilot which must be lighted using the Piezo igniter. When lighting the pilot, follow these instructions exactly.
- B. BEFORE LIGHTING smell all around the appliance area for gas. Be sure to smell next to the floor because some gas is heavier than air and will settle on the floor.

WHAT TO DO IF YOU SMELL GAS

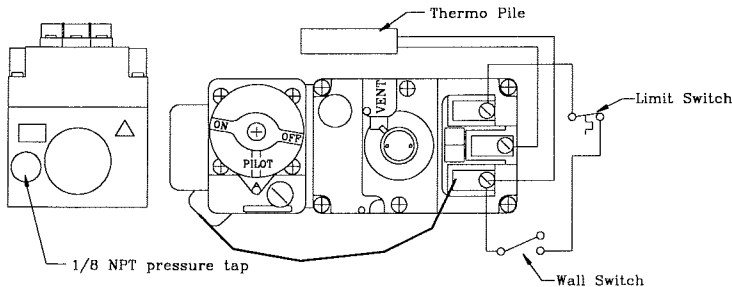
- Do not try to light the appliance.
- Do not touch any electrical switch: do not use any phone in your building.
- Immediately call your gas supplier from a neighbour's phone. Follow the gas suppliers instructions.

- If you cannot reach your gas supplier, call the Fire Department.
- C. Use only your hand to push in or turn the gas control knob. Never use tools. If the knob will not push in or turn by hand, don't try to repair it, call a qualified service technician. Force or attempt to repair may result in a fire or explosion.
- D. Do not use this appliance if any part has been under water. Immediately call a qualified service technician to inspect the appliance and to replace any part of the control system, and any gas control which has been under water.

LIGHTING INSTRUCTIONS

1. **STOP!** Read the safety information above on this label.
2. Remove lower brass trims.
3. Push in gas control knob and turn clockwise to "OFF."

5. Find pilot burner and follow steps below.
6. Turn knob on gas control counterclockwise to "PILOT."



7. Push in control knob all the way and hold in. Immediately light the pilot with a match. Continue to hold the control knob in for about (1) minute after the pilot is lit. Release the knob and it will pop back up. Pilot should remain lit. If it goes out repeat steps 3 through 7.

- If knob does not pop up when released. Stop and immediately call your service technician or gas supplier.
- If the pilot will not stay lit after several tries, turn the gas control knob to "OFF" and call your service technician or gas supplier.

Note: See installation instructions for alternate gas valve operation and wiring.

NOTE: Knob cannot be turned from "PILOT" to "OFF" unless knob is pushed in slightly. Do not force

4. Wait (5) minutes to clear out any gas. If you then smell gas, STOP! Follow "B" in the safety information above on this label. If you don't smell gas, go to the next step.

8. Turn gas control knob counterclockwise to "ON."
9. Replace lower brass trim.
10. Turn on remote switch to ignite fire.

TO TURN OFF GAS TO APPLIANCE

1. Turn off remote switch.
2. Remove lower brass trim.
3. Push in gas control knob slightly and turn clockwise to "Off". Do not force.
4. Replace brass trim.

INSTALLATION OF OPTIONAL GLASS DOORS

NOTE: Standard fireplace sold with fire screens.

OPTIONAL: Fan and Decorative Trim kits are available for Montigo 36C fireplaces.

NOTE: Installation and Instruction manual must be referred to when installing fan kits.

Fireplace must be electrically connected and grounded in accordance with local codes or, in the absence of local codes, with the current CSA C22.1 Canadian Electrical Code, Part 1, Safety Standard for electrical installations.

There are two door kits available for the **Montigo 36C**. Bifold glass doors (**Model # M28BD**) or twin pane Glass doors (**Model # M28 TWP**)

The doors are installed and held to the frame by an adjustable spring bracket at the top corners of the opening and a pivot point at the bottom of the glass doors, see **Figure 9** and **Figure 10**.

To install the door kit in the **Montigo 36C**:

- To install left door place bottom pivot into bottom door hole. Push top spring clip upwards using a screwdriver and snap top pivot into top spring clip hole. Repeat above procedure to install right door.
- Doors may be adjusted by simply loosening spring clip screw and adjusting door into square.
- You may also adjust bottom middle of door by loosening bolts and adjusting Magnet Bracket forward or backwards into desired position. See **Figure 10**.

WARNING

Use only **Montigo CGA certified doors with Montigo CGA certified appliances.**

Remove the protective sheet from the door before operating appliance. Failure to do so will damage trim finish.

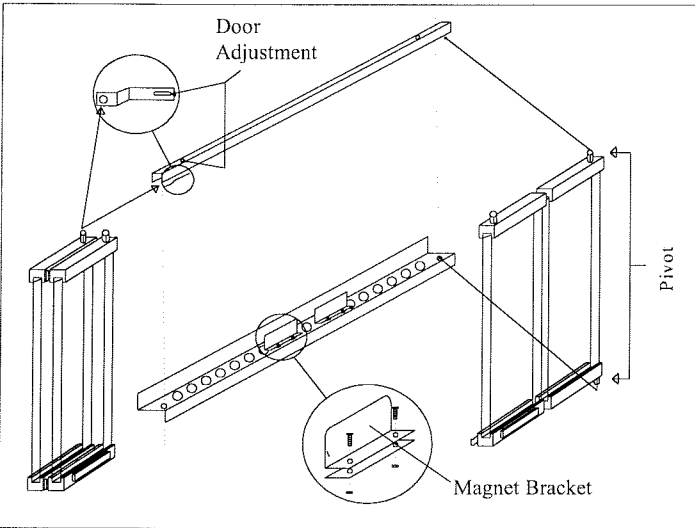


FIGURE 9. BIFOLD DOOR MOUNTING

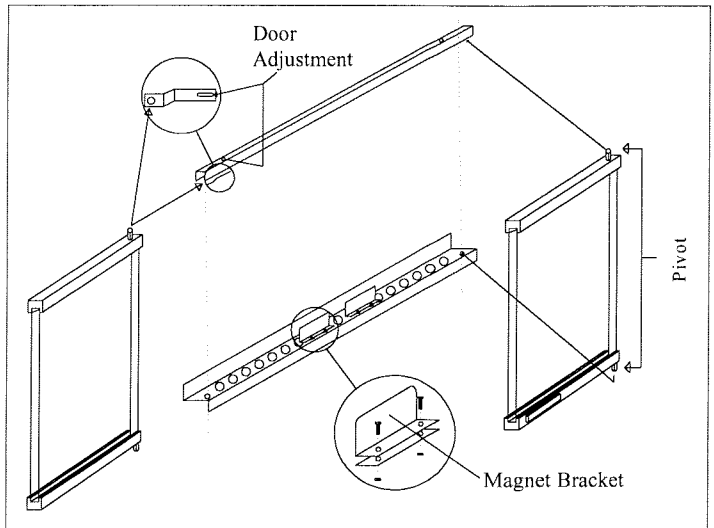
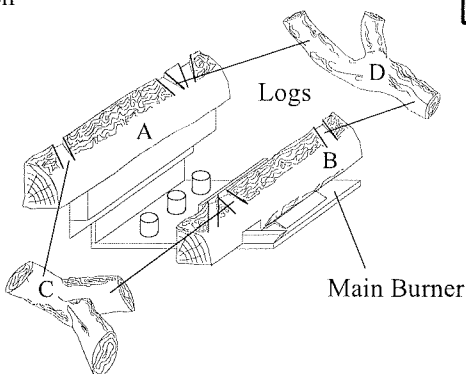
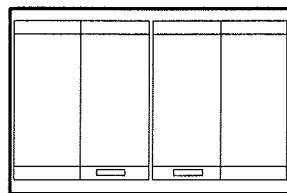
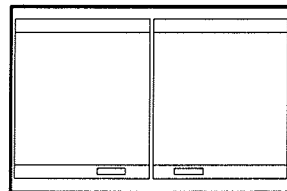
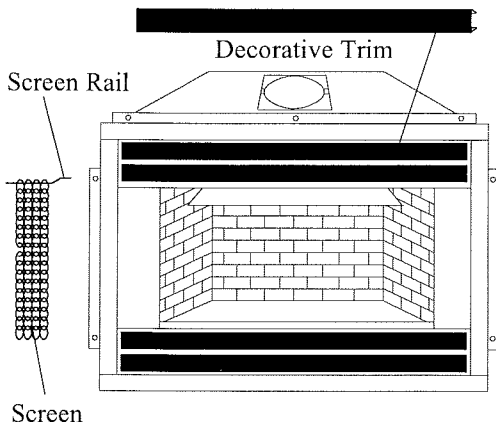
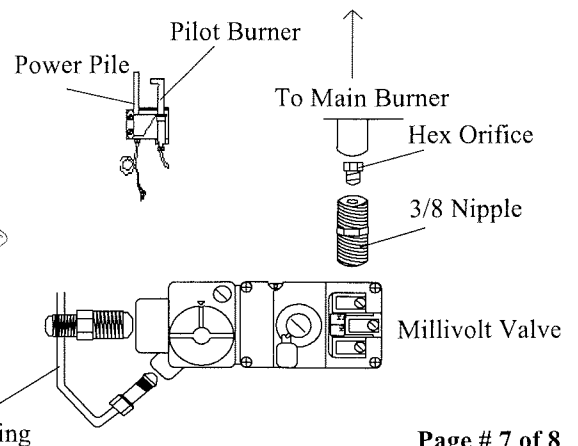


FIGURE 10. TWIN PANE DOOR MOUNTING



MONTIGO 36C PARTS LIST

Decorative Trim	Power Pile
Screen	Main Gas Burner
Screen Rail	Logs
Bifold Glass Doors	3/8 Hex Orifice
Twin Pane Doors	3/8 Nipple
Pilot Burner	Millivolt Valve
Pilot Tubing	High Limit Switch



**MONTIGO 36C
DECORATIVE GAS FIREPLACES
WARRANTY**

THE WARRANTY

Canadian Heating Products Inc. warrants the Montigo 36C Decorative Gas Appliance to be free from defects in materials and workmanship at the time of manufacture. On the Montigo 36C there is a ten-year warranty on the firebox and its components, a five-year warranty on the main burner, pilot burner, and cultured oak logs, as well as a one-year warranty on the gas control valve and bifold glass doors.

REMEDY AND EXCLUSIONS

The coverage of this Warranty is limited to all components of the decorative gas appliance manufactured by Canadian Heating Products Inc.

This Warranty only covers Montigo decorative gas appliances installed in British Columbia, Canada.

If the components of the decorative gas appliance covered by this Warranty are found to be defective within the time frame stated (see Canadian Heating Products Inc.'s right of investigation outlined below). Canadian Heating Products will, at its option, replace or repair defective components of the decorative gas appliance manufactured by Canadian Heating Products Inc. at no charge, and will also pay for reasonable labour costs incurred in replacing or repairing components. If repair or replacement is not commercially practical, Canadian Heating Products will, at its option, refund the purchase price of the Montigo 36C decorative gas appliance.

This warranty covers only parts and labour as provided above. In no case shall Canadian Heating Products Inc. be responsible for materials, components, or construction which are not manufactured or supplied by Canadian Heating Products Inc., or for the labour necessary to install, repair or remove such materials, components or construction. All replacement or repair components will be shipped F.O.B. from the nearest Canadian Heating Products Inc. factory.

QUALIFICATIONS TO THE WARRANTY

The decorative gas appliance Warranty outlined above is further subject to the following qualifications:

- (1) The decorative gas appliance must be installed in accordance with Canadian Heating Products Inc. installation instructions and local building codes. The Warranty on this Montigo 36C decorative gas appliance covers only the component parts manufactured by Canadian Heating Products Inc. The use of components manufactured by others with this Montigo 36C decorative gas appliance could create serious safety hazards, may result in the denial of certification by recognized national safety agencies, and could be in violation of local building codes. This Warranty does not cover any damages occurring from the use of any components not manufactured or supplied by Canadian Heating Products Inc.
- (2) The Montigo 36C decorative gas appliance must be subjected to normal use. The decorative gas appliances are designed to burn gas only. Burning conventional fireplace fuels such as wood, coal, or any other solid fuel will cause damage to the decorative gas appliance, will produce excessive temperatures, and will result in a fire hazard.

LIMITATIONS ON LIABILITY

It is expressly agreed and understood that Canadian Heating Products Inc.'s sole obligation, and Purchaser's exclusive remedy under this Warranty, under any other warranty, expressed or implied, or in contract, tort or otherwise, shall be limited to replacement, repair, or refund, as specified above.

In no event shall Canadian Heating Products Inc. be responsible for any incidental or consequential damages caused by defects in its products, whether such damage occurs or is discovered before or after replacement or repair, and whether or not such damage is caused by Canadian Heating Products Inc.'s negligence. Some states do not allow the exclusion or limitation of incidental or consequential damages, so the above limitation or exclusion may not apply to you. The duration of any implied warranty with respect to this Montigo 36C decorative gas appliance is limited to the duration of the foregoing warranty. Some states do not allow limitation on how long an implied warranty lasts, so the above may not apply to you.

INVESTIGATION OF CLAIMS AGAINST WARRANTY

Canadian Heating Products Inc. reserves the right to investigate any and all claims against this Warranty and to decide upon method of settlement.

CANADIAN HEATING PRODUCTS INC. NOT RESPONSIBLE FOR WORK DONE WITHOUT WRITTEN CONSENT

Canadian Heating Products Inc. shall in no event be responsible for any warranty work done without first obtaining Canadian Heating Products Inc.'s written consent.

DEALERS HAVE NO AUTHORITY TO ALTER THIS WARRANTY

Canadian Heating Products Inc.'s employees and dealers have no authority to make any warranties nor to authorize any remedies in addition to or inconsistent with those stated above.

HOW TO REGISTER A CLAIM AGAINST WARRANTY

In order for any claim under this Warranty to be valid, Canadian Heating Products Inc. must be notified of the claimed defect in writing or by telephone to Canadian Heating Products Inc., attention Customer Service Department, 12091 88th Avenue, Surrey, B.C., Canada V3W 3J5; telephone (604) 597-3115, as soon as reasonably possible after the defect is discovered. Claims against this Warranty in writing should include the date of installation, and a description of the defect.

OTHER RIGHTS

This Warranty gives you specific legal rights, and you may also have other rights which vary from state to state.

Canadian Heating Products Inc. reserves the right to make changes at any time, without notice, in design, materials, specifications, prices and also to discontinue colours, styles, and products.

DISTRIBUTED BY:



CANADIAN HEATING PRODUCTS INC.
12091 88th Avenue, Surrey, B.C., Canada V3W 3J5
Telephone (604) 597-3115
Fax (604) 597-3096