

## DISCONTINUED ITEM

THIS ITEM HAS BEEN DISCONTINUED AND IS  
NO LONGER IN PRODUCTION.  
PLEASE CONTACT YOUR LOCAL MONTIGO DEALER  
REGARDING MAINTENANCE AND SPARE PARTS AVAILABILITY.

# MONTIGO

# INSTALLING AND OPERATING YOUR MONTIGO GAS-BURNING FIREPLACE

Please leave this manual with the owner

**CHECK LOCAL CODES PRIOR TO INSTALLATION**

### FOR YOUR SAFETY

#### IF YOU SMELL GAS:

1. OPEN WINDOWS.
2. DON'T TOUCH ELECTRICAL SWITCHES.
3. EXTINGUISH ANY OPEN FLAME.
4. IMMEDIATELY CALL YOUR GAS SUPPLIER.

### FOR YOUR SAFETY:

DO NOT STORE OR USE ANY FLAMMABLE  
VAPOURS OR LIQUIDS NEAR THIS OR ANY  
OTHER GAS-BURNING APPLIANCE.

**READ INSTRUCTIONS CAREFULLY BEFORE INSTALLING**

## MODEL MONTIGO 36 Super Hot



CANADIAN HEATING PRODUCTS INC.

## INTRODUCTION

The **Montigo 36SH** is rated at 18,000 BTUs.

The Montigo warranty will be voided by, and **Montigo** disclaims any responsibility for, the following actions:

- Modification of the fireplace and/or components including B-vent assembly or glass doors.
- Use of any component part not manufactured or approved by Montigo in combination with a Montigo fireplace system.
- Installation other than as instructed in this manual.

Consult your local Gas Inspection Branch about the particular requirements concerning installation of factory-built gas fireplaces. **All work should be done by a qualified contractor, and installation must conform with the current Can/CGA B-149.1 and .2 Gas Installation Code and local regulations.**

**The fireplace is not intended to be used as a substitute for a furnace to heat an entire home. Use for supplemental heating only.**

## CAUTIONS

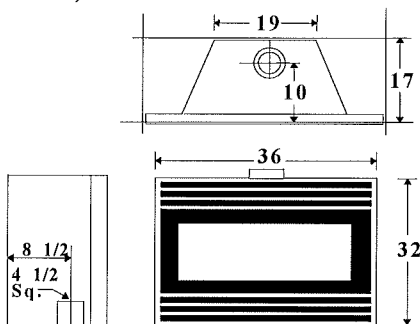
- Due to its high operating temperatures, the appliance should be located out of traffic & away from furniture and draperies.
- Children and adults should be alerted to the hazards of the high surface temperature, which could cause burns or clothing ignition.
- Young children should be carefully supervised when they are in the same room as the appliance.
- Clothing or other flammable materials should not be placed on or near the appliance.

## SELECTING YOUR FIREPLACE LOCATION

The fireplace may be installed in any location that is free of air condition ducts, electrical wiring and plumbing. Safety, as well as efficiency of operation, must be considered when selecting the fireplace location. Try to select a location that does not interfere with room traffic, has adequate ventilation, and offers an accessible pathway for B-Vent installation.

The fireplace dimensions are shown below:

**NOTE:** These are not framing dimensions (see figure 2 for framing dimensions).



**FIGURE 1. FIREPLACE DIMENSIONS**

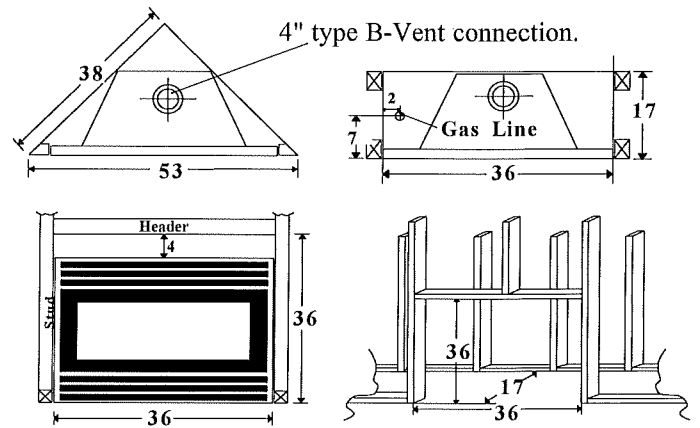
## INSTALLING THE FIREPLACE

The **Montigo 36SH** clearances to combustibles are 0" back 1" sides, 0" floor and 4" top, the **Montigo 36SH** must not be installed any closer than 8 inches to any unprotected combustible wall perpendicular to the fireplace opening.

For the protection against freezing temperatures, it is recommended that the outer walls of the chase be insulated with a vapour barrier. This will reduce the possibility of a cold-air convection current on the fireplace.

The B-vent system requires clearance of 1" minimum air space.

The framing dimensions are shown below:



**FIGURE 2. FRAMING DIMENSIONS**

## INSTALLING THE GAS LINE

The gas line must be installed before finishing the **Montigo 36SH** fireplace. The gas control valve (which is mounted behind the removable grille at the bottom of the unit), is connected to the gas line through the access opening which is provided on the left side.

## CAUTIONS

\*After gas line is connected, it is a Can/CGA B149. code requirement (Section 8.25.3 (e)) that "each appliance connection, valve, valve train, shall be checked while under normal operating pressure with either a liquid solution, or leak detection device, to locate any source of leak." Tighten any areas where bubbling appears or leak is detected until bubbling stops completely. **DO NOT** use a flame of any kind to test for leaks.

## INSTALLATION OF B-VENT

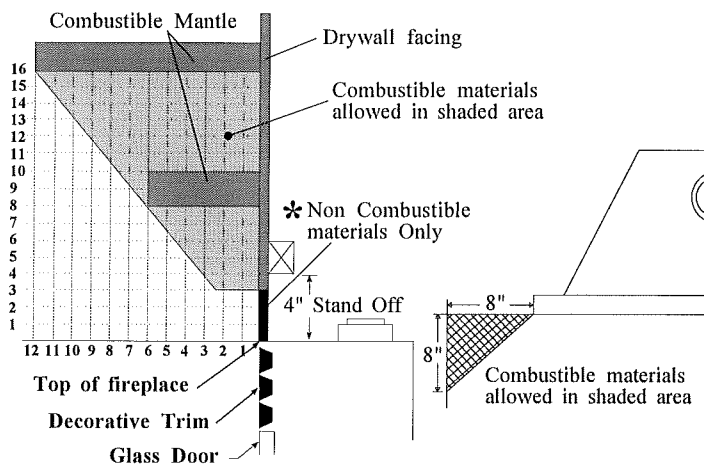
The **Montigo 36SH** requires no appliance connector. Fasten the B-Vent to the 4 3/4" collar on each side of the opening with 1/4" sheet metal screws. Do not penetrate the inner sleeve of the B-Vent when tightening the screws. Refer to the current C.G.A./Can B-149 Gas Installation Code for specific installation instructions.

## INSTALLING THE REMOTE SWITCH

The **Montigo 36SH** is equipped with a remote-operated valve, located behind the removable brass grille, to the right of the gas control valve (refer to figure 8.) The valve is pre-wired and completely self contained to generate its own power **DO NOT** connect any external power to it. **Note:** The switch location must not exceed 30' from fireplace.

## FIREPLACE MANTEL AND FACING

Combustible mantels may be safely installed over the top of the fireplace, provided they do not project beyond a line from point **A** to point **B**, as illustrated in the left side of **Figure 3** below. Combustible materials may also be installed next to the sides of the fireplace, provided they do not project beyond the shaded area illustrated in the right side of **Figure 3**.



\* We recommend the use of 1/4" Insulating Millboard in shaded area.

**FIGURE 3. COMBUSTIBLE FACINGS**

## CAUTION

**For your information:** When in operation "Walls above fireplace may be hot to touch". Canadian Gas Association approval and certification requires that temperatures must not exceed 117° F above room temperature. Example  $117^{\circ} + 70^{\circ} = 187^{\circ}$  **This is very hot to touch.**

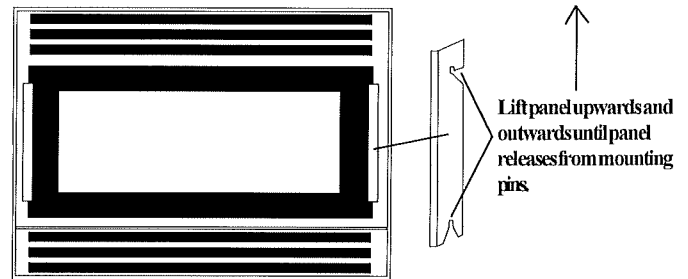
When selecting the finish material for your fireplace, it is important to remember the following: **BRASS TRIMS MUST NOT BE OBSTRUCTED IN ANY WAY** - to do so restricts the air supply for the control compartments and heat exchanger it also prevents access for servicing controls.

The face of the fireplace may be painted to match the room decor, provided you use a heat-resistant paint. Decorative facing must not extend past the fireplace opening at all, because it will interfere with the access to retainers for removal of glass panel and combustion door.

## REMOVAL OF OUTER DOOR

Easily removed for cleaning and servicing. Although this pane is made of a very tough tempered glass, always handle it carefully and place in a safe location where it will not be broken or damaged.

To remove the outer glass panel lift upwards and outwards. This will release the panel from the mounting pins. See **Figure 4**.

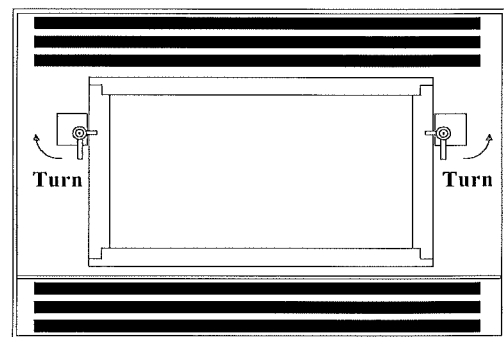


**FIGURE 4. OUTER GLASS DOOR**

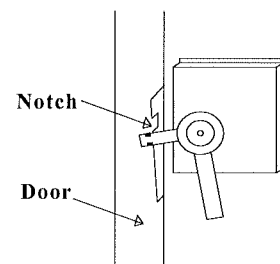
## REMOVAL OF INNER DOOR

To remove inner glass door, outer glass door must first be removed. Next turn the safety door locks outwards as illustrated in **Figure 5**. **Note:** When turning and unlocking the safety door locks a small additional pressure is required to start the unlocking procedure. This is because a latch pin of the safety door lock is seated into a latch plate notch (see **Figure 6**). This ensures the safety door lock is in its correct position, maintaining the door seal is under constant spring pressure.

**IMPORTANT:** For your safety when replacing inner door to its original position always assure the safety door latch pin is correctly positioned with the notch in the latch plate. (see **Figure 6**).



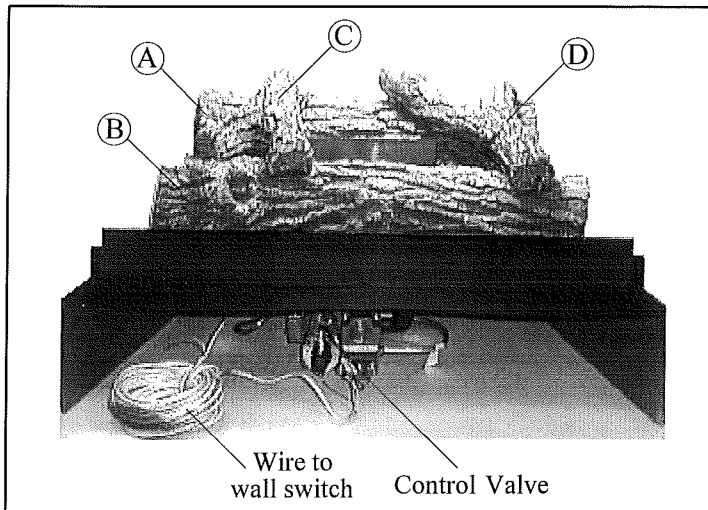
**FIGURE 5. INNER GLASS DOOR**



**FIGURE 6. SAFETY LOCK**

## INSTALLING LOG SET

The Montigo 36DV-SH is supplied with four(4) very attractive cultured oak logs. To install simply place log "A's" rectangular shaped extension into the log rest located on rear wall of the burner assembly. Place the slot of log "B" over the pilot runner bar located on the left hand front side of the burner assembly. Next place logs "C" and "D" onto mating positions of logs "A" and "B", as shown below. **FAILURE TO INSTALL LOGS AS INSTRUCTED MAY RESULT IN EXCESSIVE SOOTING.**



## LIGHTING PILOT AND MAIN BURNER

To light pilot it is necessary that you remove outer and inner glass door (refer to sections on glass door removal). The gas control valve is located behind the brass trim in the centre of the fireplace (see Figure 8 below). Before lighting the pilot, make sure that the gas line is connected and the gas shut-off valve is turned to the ON position. To light the pilot we recommend the use of a long match or removal of logs "B" & "C":

- Partially depress and turn dial on gas control valve to "OFF" position and wait 5 minutes.
- Turn dial to pilot position, depress dial and light pilot burner, hold for 1 minute, then release. If pilot does not remain ignited, repeat, allowing a longer time to elapse before releasing dial.
- Re-install inner and outer glass door.

**NOTE: For your protection and safety, main gas burner can not be activated until inner glass door has been re-installed to activate a safety cut off switch.**

- To light the main burner, turn dial to "ON", then turn on remote switch.
- Turn off flame with remote switch. For complete shut down, slightly depress gas control valve dial and turn to "OFF" position.

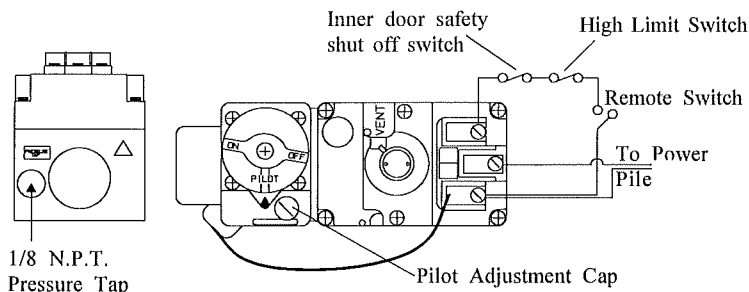


FIGURE 8. GAS CONTROL VALVE

## PILOT BURNER ADJUSTMENT

- Remove Pilot Adjustment Cap. (see figure 8)
- Adjust pilot key to provide properly sized flame. See Figure 9 for properly sized flame.
- Replace pilot adjustment cap.
- Leak test with a soap solution after installing or servicing with main burner on. Coat pipe and tubing joints, gasket etc. with soap solution. Bubbles indicate leaks. Tighten any areas where the bubbles appear until the bubbling stops completely.

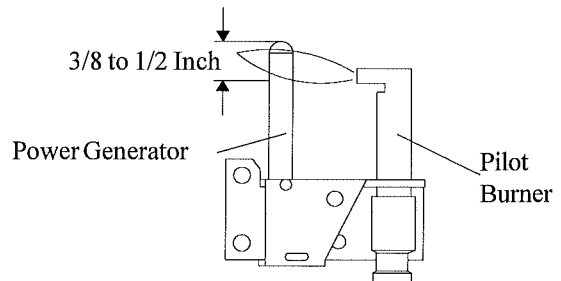


FIGURE 9. PILOT BURNER ADJUSTMENT

## MAINTENANCE

Have the fireplace installation inspected yearly, including a visual check of the vent system, the burner and the pilot flame. For your convenience a 1/8" pressure tap is supplied on the gas valve for a test gauge connection. See Figure 8. This appliance requires a minimum gas pressure of 7" W.C. for natural gas and 12" WC for propane. Always keep the fireplace area clear and free of combustible materials, as well as gasoline and other flammable vapours and liquids.

## CLEANING

When fireplace is first activated some smoking and visible film on the glass may occur, this is a normal condition of heat burning of protective coatings on new metal.

- Products of combustion do deposit a visible film on the glass which must be cleaned periodically. Film can easily be removed by removing inner and outer doors, handling carefully, and cleaning with normal household products.
- Silicone seals on inner door during initial firing will "off gas", leaving a visual deposit of a white substance on combustion chamber walls. This can easily be removed using normal household products.
- Use a vacuum cleaner or whisk broom to keep the control compartment, burner, and firebox free from dust and lint.
- Logs may be cleaned periodically with soap and water to remove soot.

## CAUTIONS

- Fireplace gas control must be in the "OFF" position and pilot and main burners extinguished when cleaning appliance with a vacuum.
- Doors and logs can get very hot, handle only when logs are cool.

## TROUBLESHOOTING

The following is a troubleshooting chart of possible problems:

PROBLEM	CORRECTIVE ACTION
Noisy Pilot Flame	Remove pilot adjuster cap, located next to gas shut off valve. Flame is decreased by turning adjustment screw clockwise.
Pilot won't ignite	Disconnect remote wires and try to light pilot. If pilot now works, remote connections are faulty. Check wiring diagram <b>figure 8</b> .
Main burner will not light	<ol style="list-style-type: none"> <li>1. Check wiring (<b>see figure 8</b>.)</li> <li>2. Check wall switch for proper connection.</li> <li>3. Check door safety switch located center of bottom door rail</li> <li>4. Burner ignites, adjust activating pin bottom center of inner glass door.</li> <li>5. Burner does not ignite, check electrical contacts of the door safety switch</li> </ol>

If your **Montigo 36SH** still does not operate correctly, consult your dealer or the manufacturer.

All service and repairs should be performed by a qualified agency.

All spare parts are available from Canadian Heating Products Inc. or your local dealer.

The **Montigo 36SH** has a ten-year limited warranty on the firebox, a five-year warranty on the main burner, pilot burner, and cultured oak logs; and a one-year warranty on the gas control valve and glass doors.

## ELECTRICAL

### INTRODUCTION

The Circulating fans have been designed to increase the efficiency of convection heat by providing a very quiet air flow over the combustion chamber of the fireplace and discharging heated air into your living space.

### GENERAL INFORMATION

- Please read instructions carefully before proceeding.
- All electrical work must comply with all municipal and local requirements and to CSA 2.22 electrical code requirements.
- We strongly recommend that all electrical service work be performed by a qualified electrical contractor.

### STEP 1. REMOVING TRIMS

Remove brass trims to control compartment by placing fingers under bottom edge of trim next to retainer clips and pull outward. (**see inset figure 1**)

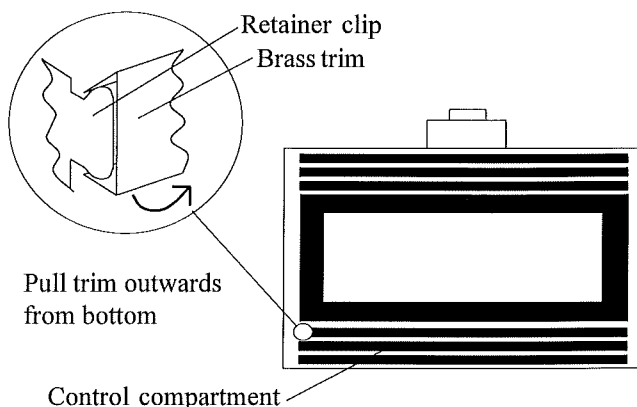


FIGURE 1. REMOVING TRIMS

### STEP 2. CONTROL BOX CONNECTION

A) **CAUTION: Make sure power is off at household electrical breaker or fuse before starting.**

- Remove junction box cover.
- Feed household power supply through the square, electrical access opening, located at the bottom right side of the fireplace. (**see figure 2**)
- Attach household power supply from switch to fireplace junction box with a proper strain relief bushing.
- With marr. connectors, attach black "hot" wire to black fireplace wire. Attach white "neutral" wire to white fireplace wire. Attach copper "ground" wire to green fireplace wire. (**see figure 2**)

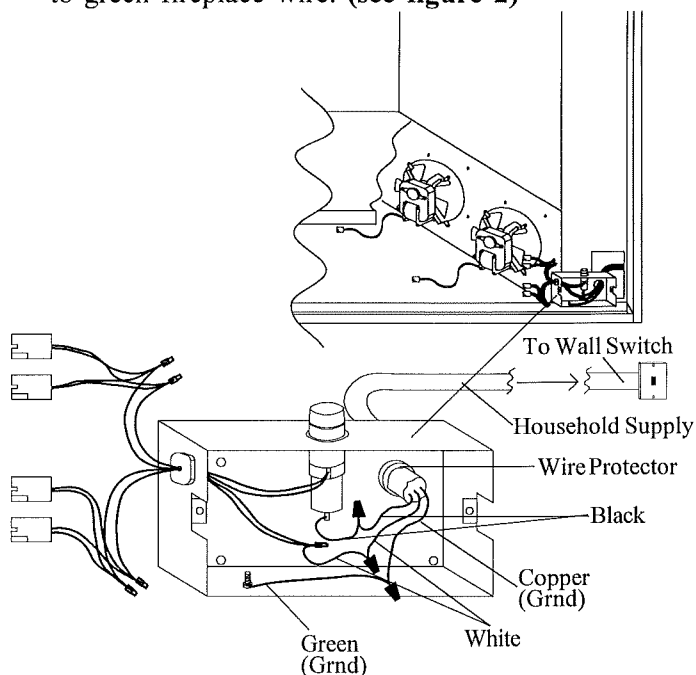


FIGURE 2. CONTROL BOX CONNECTIONS

### STEP3. ENERGIZING FANS

- Turn on household electrical power at the breaker or fuse.
- Turn on electrical wall switch (up position ↑) this will activate the fans.
- To stop the fans simply turn off wall switch (down position ↓).

### SERVICING

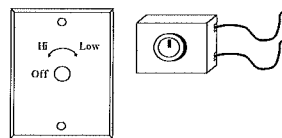
- Fan's require no servicing as they are manufactured with permanently sealed and lubricated bearings.

#### IF FANS DO NOT OPERATE:

- Check main household power to ensure breaker or fuse is ok.
- Check 2 amp fuse on top of junction box located in the burner control compartment. (see figure 4) If fuse is ok, and fans still do not operate, then we recommend you call a qualified contractor to locate the electrical fault.

### OPTIONAL FAN SPEED CONTROL

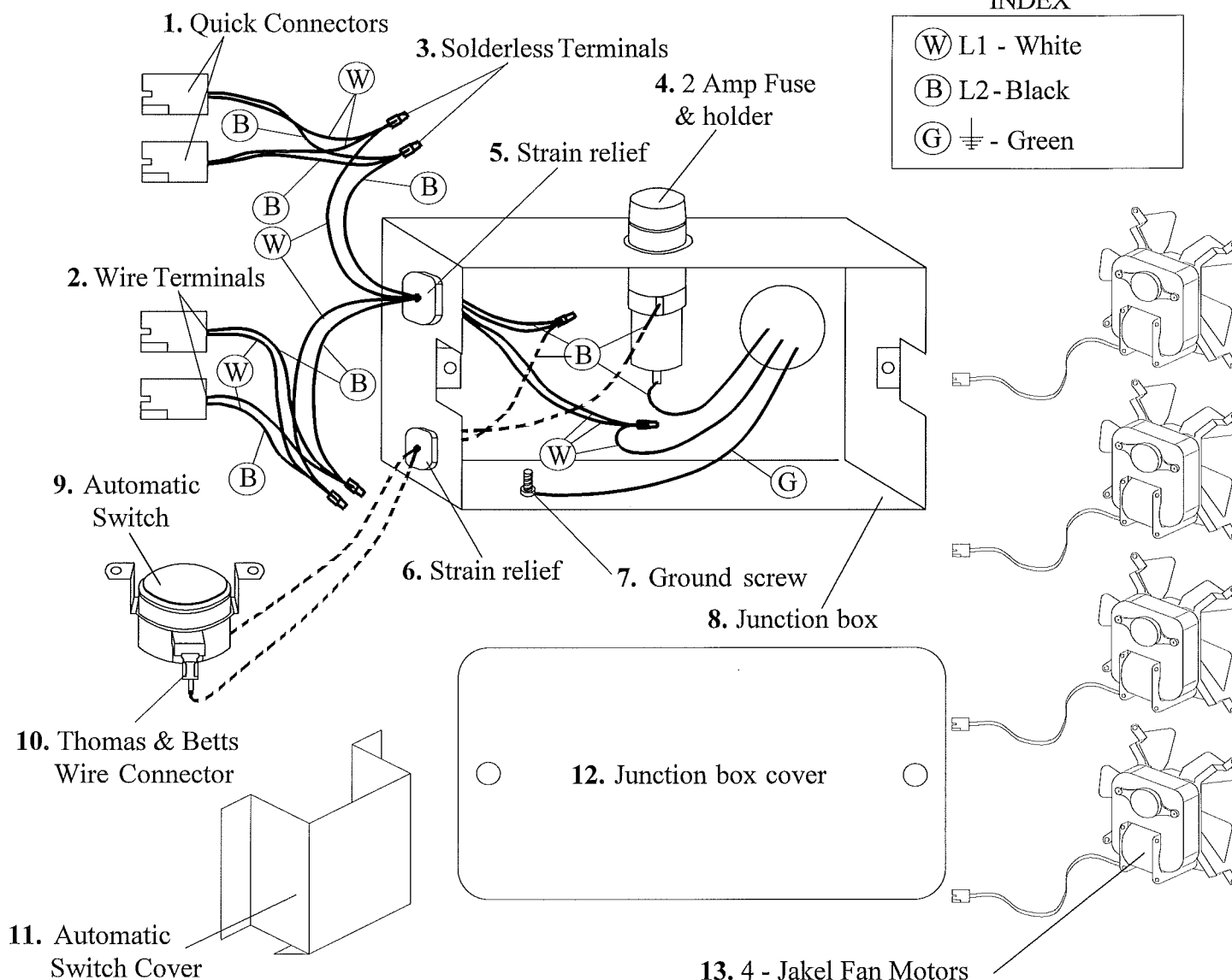
A variable fan speed control is available to control the amount of heat releasing from the fireplace into the room. To install simply replace On/Off wall switch with the variable speed control. **To order** ask for part # CRTL-1.



### OPTIONAL AUTOMATIC SWITCH

This switch is available to automatically activate fans whenever the fire is ignited. OPERATION: Once fire is ignited, the fan switch heats up to a predetermined temperature and automatically activates fans when the fireplace is turned on. Fans will deactivate when the automatic fan switch has cooled below the predetermined temperature.

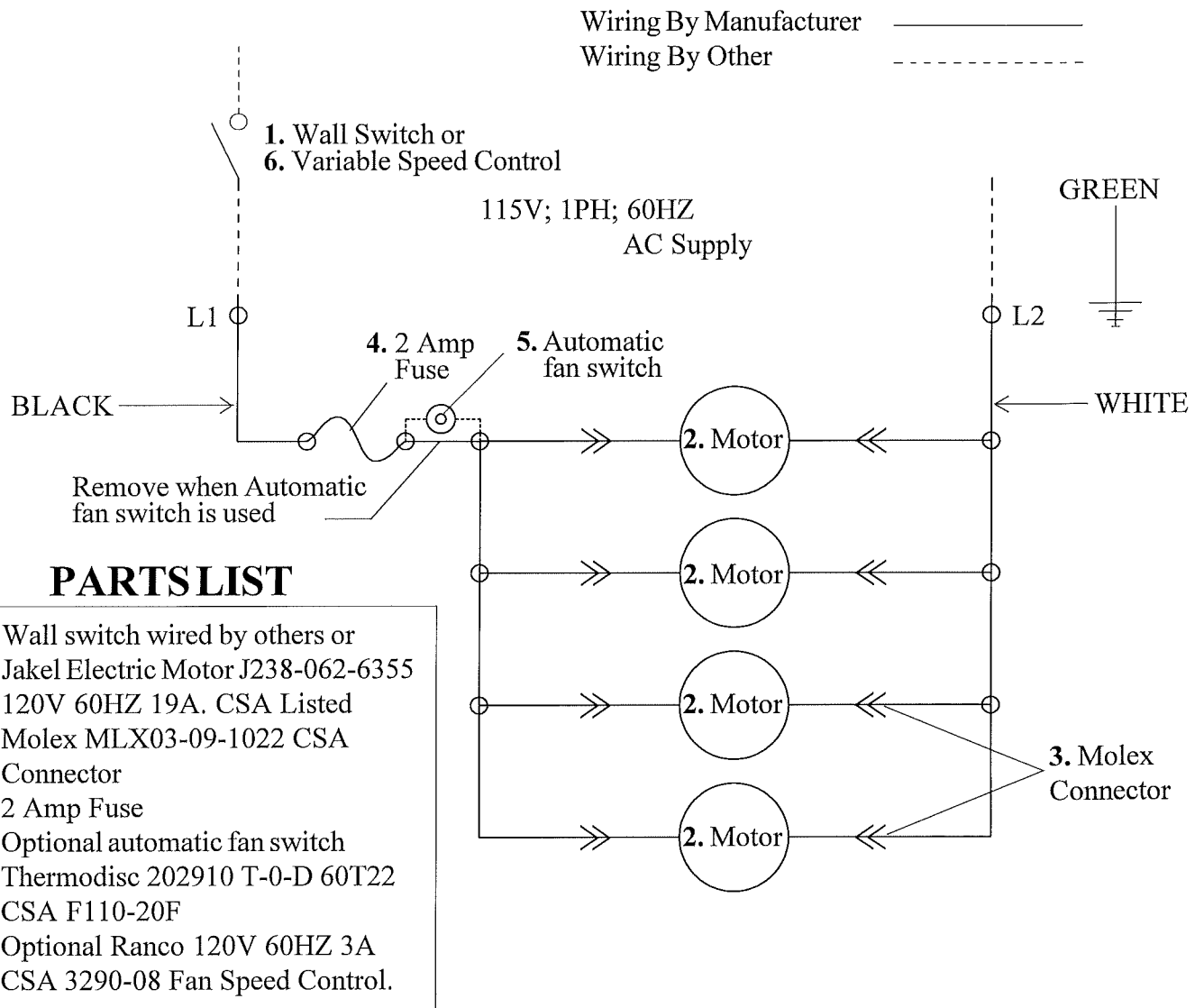
## PARTSLIST



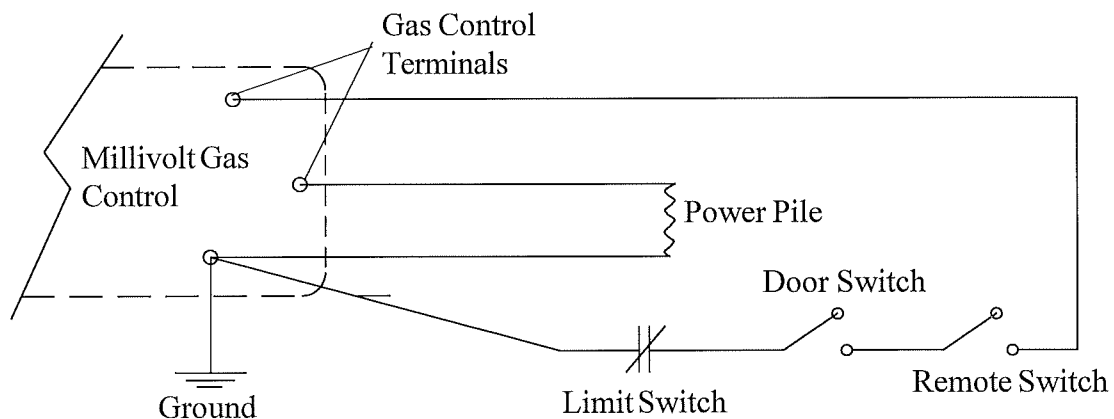
### INDEX

- Ⓜ L1 - White
- Ⓟ L2 - Black
- Ⓜ - Green

# CIRCULATING FANS LINE VOLTAGE DIAGRAM



## MILLIVOLT CIRCUIT



**MONTIGO 36SH  
DECORATIVE GAS FIREPLACES  
WARRANTY**

**THE WARRANTY**

Canadian Heating Products Inc. warrants the Montigo 36SH Decorative Gas Appliance to be free from defects in materials and workmanship at the time of manufacture. On the Montigo 36SH there is a ten-year warranty on the firebox and its components, a five-year warranty on the main burner, pilot burner and cultured oak logs. As well as a one-year warranty on the gas control valve, and bifold glass doors.

**REMEDY AND EXCLUSIONS**

The coverage of this Warranty is limited to all components of the decorative gas appliance manufactured by Canadian Heating Products Inc.

This Warranty only covers Montigo decorative gas appliances installed in the United States or Canada.

If the components of the decorative gas appliance covered by this Warranty are found to be defective within the time frame stated (see Canadian Heating's right of investigation outlined below), Canadian Heating will, at its option, replace or repair defective components of the decorative gas appliance manufactured by Canadian Heating Products Inc. at no charge, and will also pay for reasonable labour costs incurred in replacing or repairing components. If repair or replacement is not commercially practical, Canadian Heating will, at its option, refund the purchase price of the Montigo 36SH decorative gas appliance.

This warranty covers only parts and labour as provided above. In no case shall Canadian Heating Products Inc. be responsible for materials, components, or construction which are not manufactured or supplied by Canadian Heating Products Inc., or for the labour necessary to install, repair or remove such materials, components or construction. All replacement or repair components will be shipped F.O.B. the nearest Canadian Heating Products Inc. factory.

**QUALIFICATIONS TO THE WARRANTY**

The decorative gas appliance Warranty outlined above is further subject to the following qualifications:

- (1) The decorative gas appliance must be installed in accordance with Canadian Heating Products Inc. installation instructions and local building codes. The Warranty on this Montigo 36SH decorative gas appliance covers only the component parts manufactured by Canadian Heating Products Inc. The use of components manufactured by others with this Montigo 36SH decorative gas appliance could create serious safety hazards, may result in the denial of certification by recognized national safety agencies, and could be in violation of local building codes. This warranty does not cover any damages occurring from the use of any components not manufactured or supplied by Canadian Heating Products Inc.
- (2) The Montigo 36SH decorative gas appliance must be subjected to normal use. The decorative gas appliances are designed to burn gas only. Burning conventional fireplace fuels such as wood, coal or any other solid fuel will cause damage to the decorative gas appliance, will produce excessive temperatures and will result in a fire hazard.

**LIMITATIONS ON LIABILITY**

It is expressly agreed and understood that Canadian Heating Products Inc.'s sole obligation and purchaser's exclusive remedy under this warranty, under any other warranty, expressed or implied, or in contract, tort or otherwise, shall be limited to replacement, repair, or refund, as specified above.

In no event shall Canadian Heating Products Inc. be responsible for any incidental or consequential damages caused by defects in its products, whether such damage occurs or is discovered before or after replacement or repair, and whether or not such damage is caused by Canadian Heating Products Inc.'s negligence. Some states do not allow the exclusion or limitation of incidental or consequential damages, so the above limitation or exclusion may not apply to you. The duration of any implied warranty with respect to this Montigo 36SH decorative gas appliance is limited to the duration of the states do not allow limitation on how long an implied warranty lasts, so the above may not apply to you.

**INVESTIGATION OF CLAIMS AGAINST WARRANTY**

Canadian Heating Products Inc. reserves the right to investigate any and all claims against this Warranty and to decide upon method of settlement.

**CANADIAN HEATING PRODUCTS INC. NOT RESPONSIBLE FOR WORK DONE WITHOUT WRITTEN CONSENT**

Canadian Heating Products Inc. shall in no event be responsible for any warranty work done without first obtaining Canadian Heating's written consent.

**DEALERS HAVE NO AUTHORITY TO ALTER THIS WARRANTY**

Canadian Heating Products Inc.'s employees and dealers have no authority to make any warranties nor to authorize any remedies in addition to or inconsistent with those stated above.

**HOW TO REGISTER A CLAIM AGAINST WARRANTY**

In order for any claim under this Warranty to be valid, Canadian Heating Products Inc. must be notified of the claimed defect in writing or by telephone to Canadian Heating Products Inc., attention Customer Service Department 12091 88th Avenue, Surrey, B.C. Canada; Telephone (604) 597-3115, as soon as reasonably possible after the defect is discovered. Claims against this Warranty in writing should include the date of installation, and a description of the defect.

**OTHER RIGHTS**

This Warranty gives you specific legal rights, and you may also have other rights which vary from state to state.

Canadian Heating Products Inc. reserves the right to make changes at any time, without notice, in design, materials, specifications, prices and also to discontinue colors, styles and products.

**DISTRIBUTED BY:**



**CANADIAN HEATING PRODUCTS INC.**