

DISCONTINUED ITEM

THIS ITEM HAS BEEN DISCONTINUED AND IS
NO LONGER IN PRODUCTION.
PLEASE CONTACT YOUR LOCAL MONTIGO DEALER
REGARDING MAINTENANCE AND SPARE PARTS AVAILABILITY.

MONTIGO

D34DV

INSTALLING AND OPERATING YOUR GAS-BURNING FIREPLACE

Please leave this manual with the owner

FOR YOUR SAFETY

WHAT TO DO IF YOU SMELL GAS:

- Do not try to light any appliance.
- Do not touch any electrical switch; do not use any phone in your building.
- Immediately call your gas supplier from a neighbor's phone. Follow the gas supplier's instructions.
- If you cannot reach your gas supplier, call the fire department.

FOR YOUR SAFETY:

Do not store or use gasoline or other flammable vapors and liquids in the vicinity of this or any other appliance.

WARNING:

Improper installation, adjustment, alteration, service or maintenance can cause injury or property damage. Refer to this manual. For assistance or additional information consult a qualified installer, service agency or the gas supplier.

READ INSTRUCTIONS CAREFULLY BEFORE INSTALLING



MODEL #	OUTLET
D34DV	<input type="checkbox"/> TV
	<input type="checkbox"/> RV



Canadian Heating Products Inc.

Surrey, BC V3W 2V6

Montigo Del Ray Corp.

Ferndale, WA 98248

TABLE OF CONTENTS

<u>SECTION</u>	<u>PAGE NUMBER</u>
1) Introduction	3
2) Clearances to Combustibles	3
3) Gas Line Connection	3
4) Framing Dimensions	3, 4
5) Termination Location	5
6) Venting Information	6, 7, 8
7) Mantel, Facings and Surrounds	9
8) General Maintenance	
a) Installing & Removing Door	10
b) Installing Log Set	10
9) Lighting Instructions	
- Standing Pilot	11
10) Cleaning & Troubleshooting	12
11) Parts List	14
12) Wiring Schematics	
- For Fans	4
13) Warranty	13
14) Vent Clearances (Appendix A)	15

INTRODUCTION

The **D34DV** is rated at 26,000 BTUH. (7.62 Kilowatts) for Natural Gas & 26,000 BTUH (7.62 Kilowatts) for Propane gas.

The Montigo warranty will be voided by, and **Montigo** disclaims any responsibility for, the following actions:

- Modification of the fireplace and/or components including the glass doors.
- Use of any component part not manufactured or approved by Montigo in combination with this Montigo fireplace system.
- Installation other than as instructed in this manual.

Consult your local Gas Inspection Branch about the particular requirements concerning installation of factory-built gas fireplaces. **Installation & repairs should be done by a qualified contractor, and installation must conform with the current CAN/CGAB-149.1 and .2 Gas Installation Code or ANSI Z223.1-1988 and local regulations. The unit employs Circulating Fans and must be grounded in accordance with CSA C22.1 Canadian Electrical Code Part 1 or ANSI/NFPA 70-1987 and/or Local Codes.**

CAUTIONS

- * **Due to its high operating temperatures, the appliance should be located out of traffic & away from furniture and draperies.**
- * **Children and adults should be alerted to the hazards of the high surface temperature, which could cause burns or clothing ignition.**
- * **Young children should be carefully supervised when they are in the same room as the appliance.**
- * **Clothing or other flammable materials should not be placed on or near the appliance.**

SELECTING YOUR FIREPLACE LOCATION

The fireplace may be installed in any location that is free of air condition ducts, electrical wiring and plumbing. Safety, as well as efficiency of operation, must be considered when selecting the fireplace location. Try to select a location that does not interfere with room traffic, has adequate ventilation, and offers an accessible pathway for Direct Vent.

The fireplace dimensions are shown below:

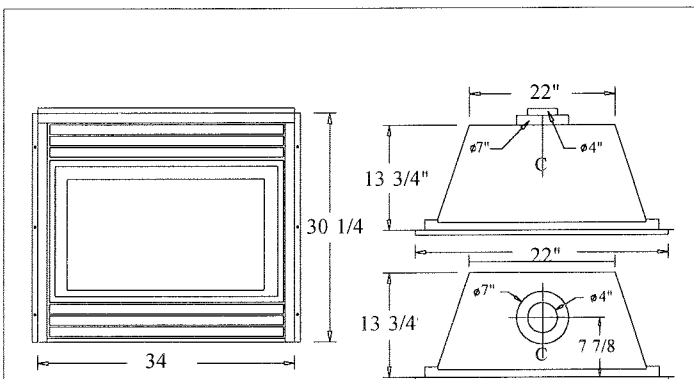


FIGURE 1. FIREPLACE DIMENSIONS

INSTALLING THE FIREPLACE SHELL

The **D34DV** clearances to combustibles are 0" back, 1/2" sides, 0" floor and 7" top. The **D34DV** must not be installed any closer than 3 inches to any unprotected combustible wall perpendicular to the fireplace opening.

WARNING: When this appliance is installed directly on carpeting, tile or other combustible materials other than wood flooring, the appliance shall be installed on a metal or wood panel extending the full width and depth of the appliance.

For protection against freezing temperatures, it is recommended that outer walls of the chase be insulated with a vapour barrier. This will reduce the possibility of a cold-air convection current on the fireplace.

***An additional 1" has been added to the depth of the appliance for framing. This will allow for extra materials used in outside wall installations. (See Figure 2)*

**General framing dimension for the fireplace shell:
For more detailed Rear Vent framing dimensions see page 8.**

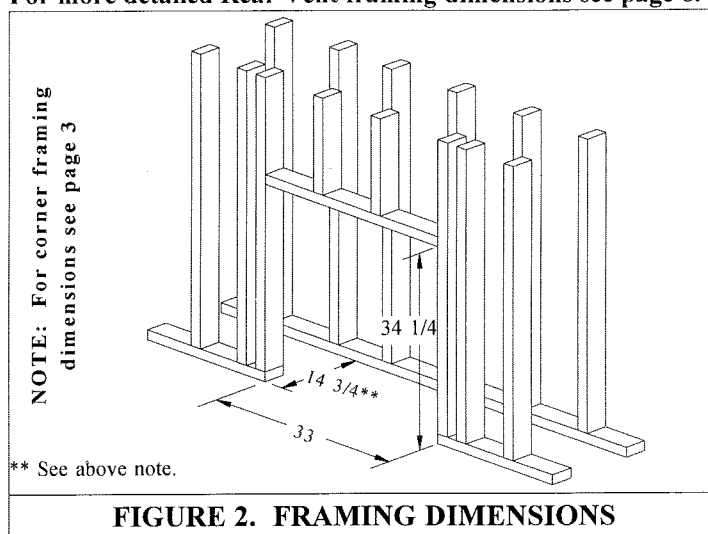


FIGURE 2. FRAMING DIMENSIONS

INSTALLING THE GAS LINE

The gas line must be installed before finishing the **D34DV** Fireplace. **Natural Gas** requires a minimum inlet gas supply pressure of 5.5" W.C. & a manifold pressure of 3.5" W.C. **Propane Gas** requires a minimum inlet gas supply pressure of 11" W.C. & a manifold pressure of 10.5" W.C. It is also required that provisions be made for a 1/8" N.P.T. plugged tapping and be accessible for test gauge connection immediately upstream of the gas supply controls to the appliance. The fireplace gas connection and the main operating gas valve is located behind the removable brass trim at the bottom of the unit and need only be attached to the gas line with an approved fitting, as required by the **CAN/CGA B-149.1 and/or .2 Gas Installation Code or ANSI Z223.1-1988 and/or local regulations.**

The appliance and its individual shutoff valve must be disconnected from the gas supply piping system during any pressure testing of that system at test pressures in excess of 1/2 psig (3.5 kPa).

The appliance must be isolated from the gas supply piping system by closing its individual manual shutoff valve during any pressure testing of the gas supply piping system at test pressures equal to or less than 1/2 psig (3.5 kPa).

FRAMING DIMENSIONS ARE SHOWN BELOW:

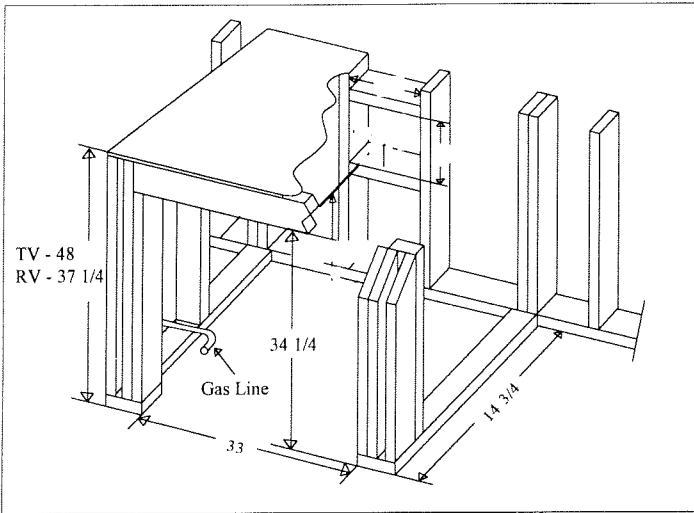


FIGURE 3. FRAMING OVER FIREPLACE

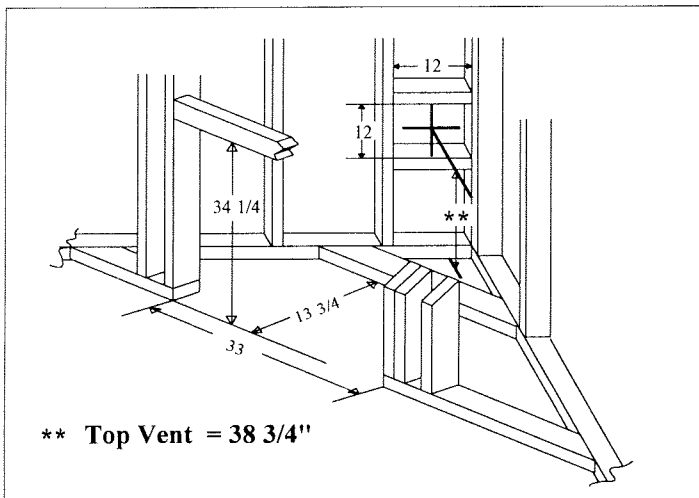


FIGURE 4. CORNER FRAMING DIMENSIONS

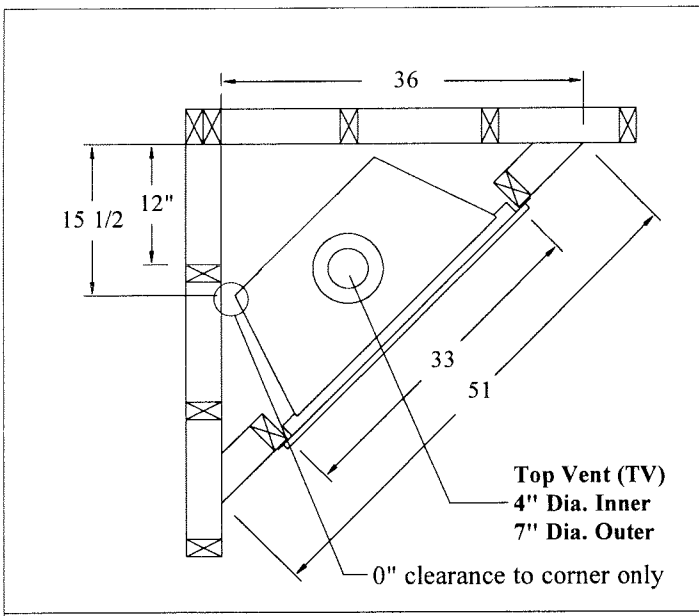
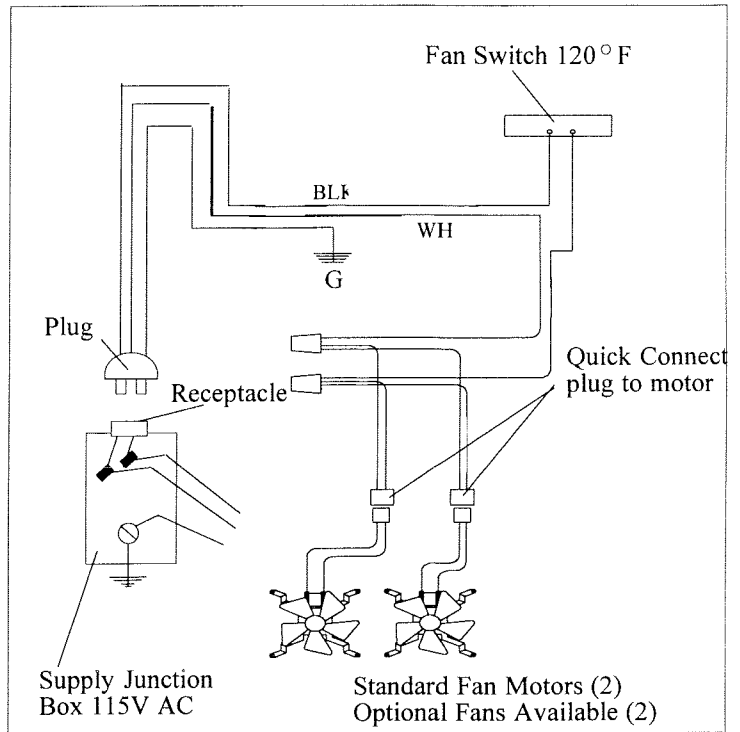


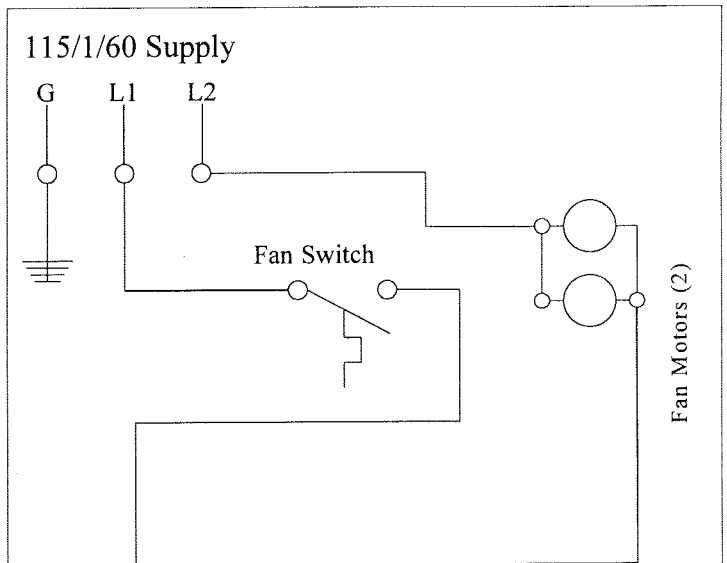
FIGURE 5. CORNER FRAMING DIMENSIONS

WIRING SCHEMATIC FOR FANS

The unit employs circulating air fans and must be grounded in accordance with CSA C22.1 Canadian Electrical Code Part 1 and/or ANSI/NFPA 70-1987 and/or Local Codes.



WIRE HARNESS



NOTE: If any of the original wire as supplied with the appliance must be replaced, it must be replaced with type SEW wire or its equivalent.

SCHEMATIC DIAGRAM

Vent Installation

This section covers the installation of direct venting and terminations.

Installation Requirements

- Montigo 34 Series fireplaces use Premium Venting components with:
 - 4" inner dia. / 7" outer dia.**
- Minimum **1" clearance to combustibles** required for vent pipes
- Use only *certified Montigo vent components*. (Use of other parts will void the Montigo warranty, and may impede the operation of the fireplace.)
- All joints must be secured with a minimum of two screws per joint
- Vent terminations must not be recessed in walls or siding
- Horizontal runs must be supported by a minimum of two supports per horizontal run. A minimum of one screw on each side of support is also required
- Flex vent sections may be stretched up to 50% of their total length (eg. a 24" section may be stretched to 36")
- Solid vent sections may be cut less than half way from the tapered end

Vent Terminations

Selecting A Termination Location

Choosing your vent termination location will help to determine whether you need to use a top vent or rear vent fireplace. Figure 6, below, shows typical fireplace locations and the venting options they provide.

For a more detailed diagram of allowed termination locations, see **Appendix B**.

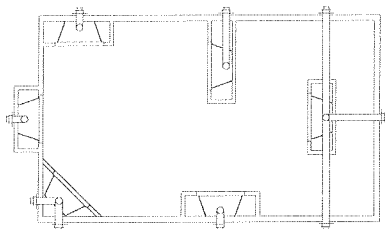
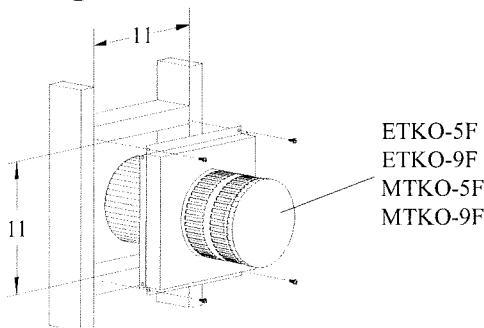


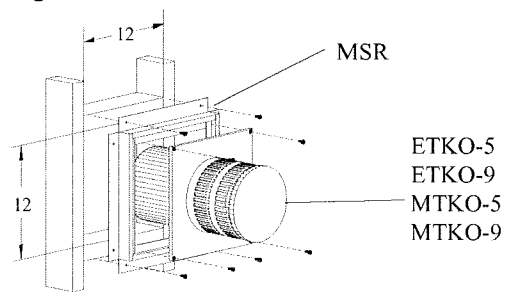
Figure 6. Fireplace locations and vent terminations.

Installing Terminations with Built-In Frames



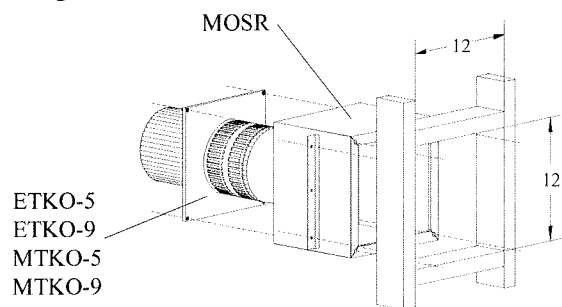
1. Frame the termination opening to 11" x 11".
2. Fasten the termination to the studs using a minimum of 4 screws.

Installing Terminations with MSR Frames



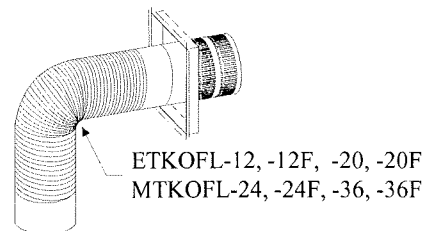
1. Frame the termination opening to 12" x 12".
2. Fasten the termination to the studs using a minimum of 4 screws.

Installing Terminations with MOSR Frames



1. Frame the termination opening to 12" x 12".
2. Fasten the MSR frame to the interior side of the studs using a minimum of 4 screws.
3. Insert the termination into the MSR frame as shown here, and attach by screwing through the four pilot holes in the termination.

Installing Flex Terminations



1. Frame the termination opening to the appropriate size:

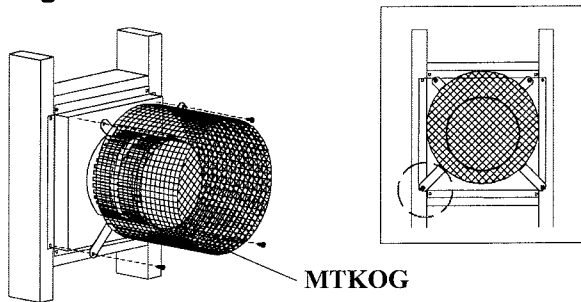
ETKOF-12F, -20F, MTKOF-24F, -36F	11" x 11"
ETKOF-12, -20, MTKOF-24, -36	12" x 12"

2. Feed the flex section through the framed opening and install in the same fashion as the standard PTKO terminations.

Cautions:

- Vent terminations can be very hot. National Standards require that all terminations accessible to the public (below 7 feet from grade level, on balconies, or decks) be installed with a certified Montigo Heat Guard. (Part no. MTKOG)
- Do not obstruct, or attempt to conceal, the vent termination. These actions will affect the operation of the fireplace, and may be hazardous.
- In heavy snow areas, take extra care to prevent snow buildup from obstructing the vent termination.

Installing Heat Guards over Terminations



1. Ensure that the two **long** mounting brackets are facing the bottom of the termination. (See inset). This will provide more heat protection at the top of the termination, where temperatures are highest.
2. Attach to the faceplate of the termination using four sheet metal screws.

VENTING GRAPH

Venting graph is used for top vent direct vent model only.

How to use the venting graph:

From 0" on the graph measure the vertical height and the horizontal distance and mark with an "X".
Vent may be installed, provided that the "X" mark is not in the shaded area.

Example A:

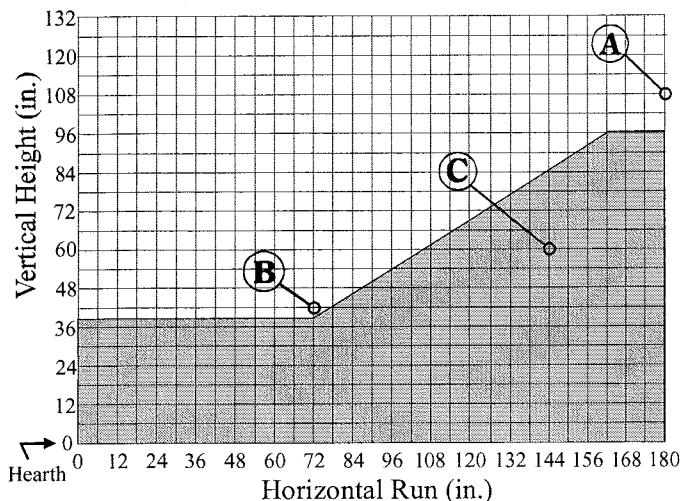
If the vertical dimension from the floor of the fireplace is 108" (9 ft.) and the horizontal run to the wall flange of the vent termination is 180" (15ft.) this would be an acceptable installation.

Example B:

If the vertical dimension from the floor of the fireplace is 42" and the horizontal run to the wall flange of the vent termination is 72" (6ft.) this would be an acceptable installation.

Example C:

If the vertical dimension from the floor of the fireplace is 60" (5ft.) and the horizontal run to the wall flange of the vent termination is 144" (12ft.) **this would NOT be an acceptable installation.**



VENTING GRAPH

INSTALLATION OF TOP VENT DV

A complete **D34DV TOP VENT** system may comprise of six individual components: (see figure 7. on page 5)

A - Termination	MTKO-5 (5" length) MTKO-9 (9" length)
B - Stucco Kits	MSR (stucco frame) MOSR (stucco can)
C - Solid section & elbow	MIHR-6 (6 ft. length) MIHR-10 (10 ft. length)
D - Flex sections	MFL-1 (1' 6" section) MFL-2 (2' 6" section) MFL-3 (3' 6" section) MFL-4 (4' 6" section)
E - Solid sections	MEXT-1 (1' 6" section) MEXT-2 (2' 6" section) MEXT-3 (3' 6" section) MEXT-4 (4' 6" section)
F - 90 degree elbow	MEL90 (90 deg. elbow)

Example: For our shortest venting configuration use components A, B, and F. (see Figure 8).

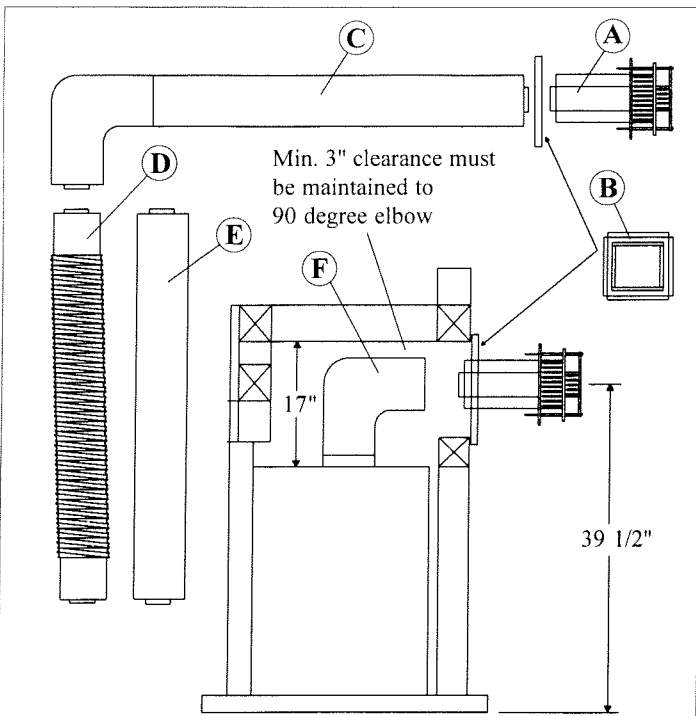
Example: A 10' section and elbow (MIHR-10) used in conjunction with 3 ft. flex section (MFL-3) will, when extended in a five foot chase, allow for a maximum horizontal run of twelve and one-half feet from the centre of the fireplace to outside wall and a minimum of 7'6" when retracted in opposite direction (see Figure 9 and 10).

"D" flex sections and "E" solid sections may be used in conjunction with one another to obtain different possible horizontal length installations. **NOTE:** Flex section must not exceed maximum horizontal length of 3 feet. (see Figure 11)

CAUTIONS AND REQUIREMENTS

All vent pipes must maintain a minimum of 1" clearance to combustibles materials.

Note: It is imperative for satisfactory operation of the D34-DV fireplace that no venting component be modified in any way. All components have been manufactured to eliminate the need for modification when properly selected and installed.



NOTE: Minimum 17" required to framing above the fireplace when a 90° elbow is used

FIGURE 8. TYPICAL INSTALLATIONS.

HORIZONTAL VENTING

All vent pipes must maintain a minimum of 1" clearance to combustible materials. A max. of two(2) 90 degree elbows are allowed

- **NOTE:** All dimension lengths for vertical or horizontal runs are measured from center of the 7" elbow.
- (A) Horizontal length (see venting graph)
 - (B) Vertical length (see venting graph)
 - (C) Heat Shield **MUST** be installed around outer pipe where it passes through combustible construction

Center of 7" elbow to outside wall	10 Ft Section MIHR-10	6 Ft Section MIHR-6
Maximum extended length	12 1/2 Ft.	8 1/2 Ft.
Maximum retracted length	07 1/2 Ft.	3 1/2 Ft.

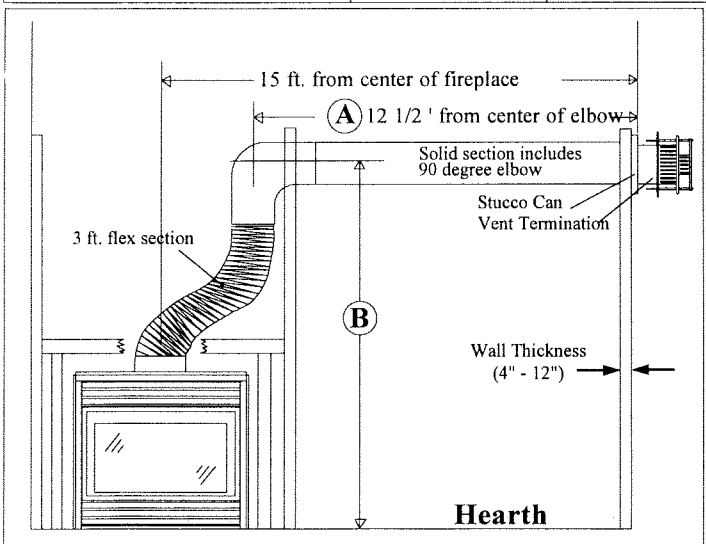


FIGURE 9. EXTENDED 10' SECTION

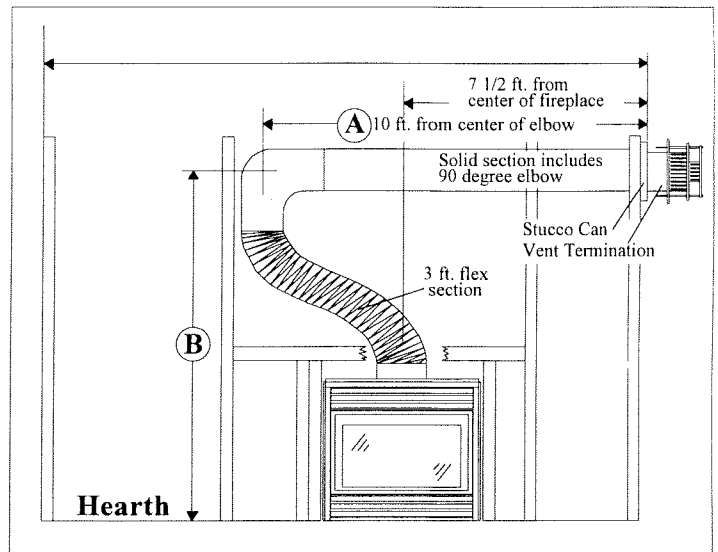


FIGURE 10. RETRACTED 10' SECTION

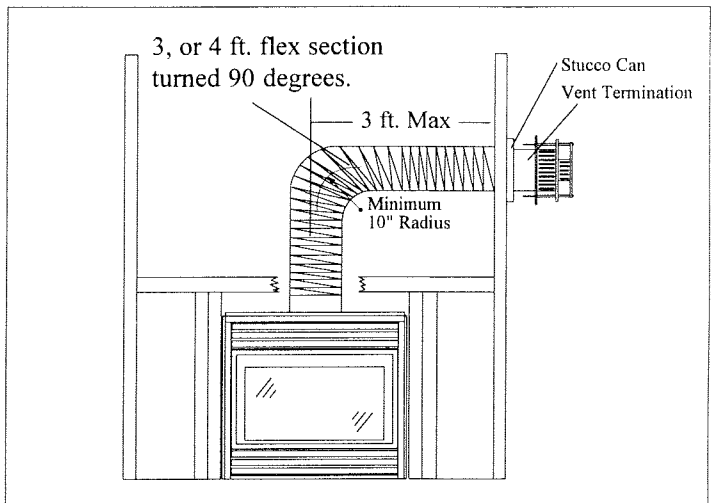


FIGURE 11 HORIZONTAL FLEX INSTALLATION

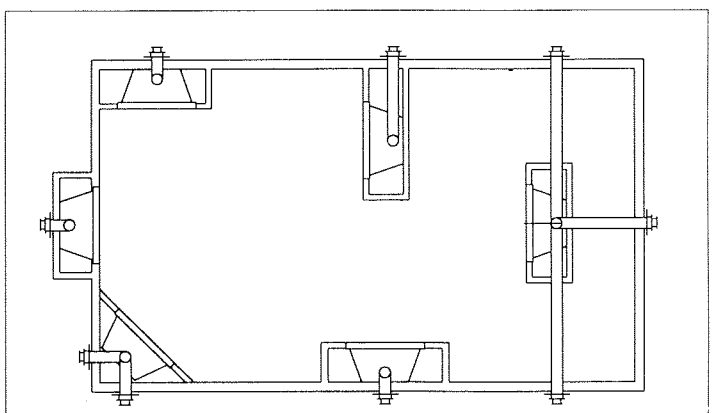


FIGURE 12. TYPICAL VENT TERMINATIONS AND FIREPLACE LOCATIONS

INSTALLATION OF VERTICAL VENT DV

A complete D34DV vertical vent installation may comprise of the following components:

A - Termination	MVTK-1
B - Flex sections	MFL-1 (1' 6" section) MFL-2 (2' 6" section) MFL-3 (3' 6" section) MFL-4 (4' 6" section)
C - Solid sections	MEXT-1 (1' section) MEXT-2 (2' section) MEXT-3 (3' section) MEXT-4 (4' section) MEXT-6 (6' Section)
D - Support Ring & Plate	MSPXT-7 (7" Support Plate & Ring)
E - 7" Firestop	FS-7 (7" Firestop)
F - Roof Flashing	MRF-16 (1/12 to 6/12 pitch) MRF-12 (6/12 to 12/12 pitch)

VERTICAL DIRECT VENT TERMINALS

Shall not be installed;

- Less than two feet above the highest point where vent passes through the roof.
- Less than six feet from a mechanical air inlet.
- Less than three feet from a parapet wall.

Offsets;

- A maximum of two offsets with 90 degree bends may be made and shall not exceed total length of 25% of the vertical vent height, when measured center to center of piping.

EXAMPLE: Typical vent installation
(see figure 14) 20' vertical vent
 2 - 2' offsets required
 25% of 20' = 5' max. offset allowed
 this venting system complies to instruction requirements.

- **Maximum vent height is 20 feet above fireplace.**
- **Minimum clearances 1" from vent to all combustible materials must be maintained.**

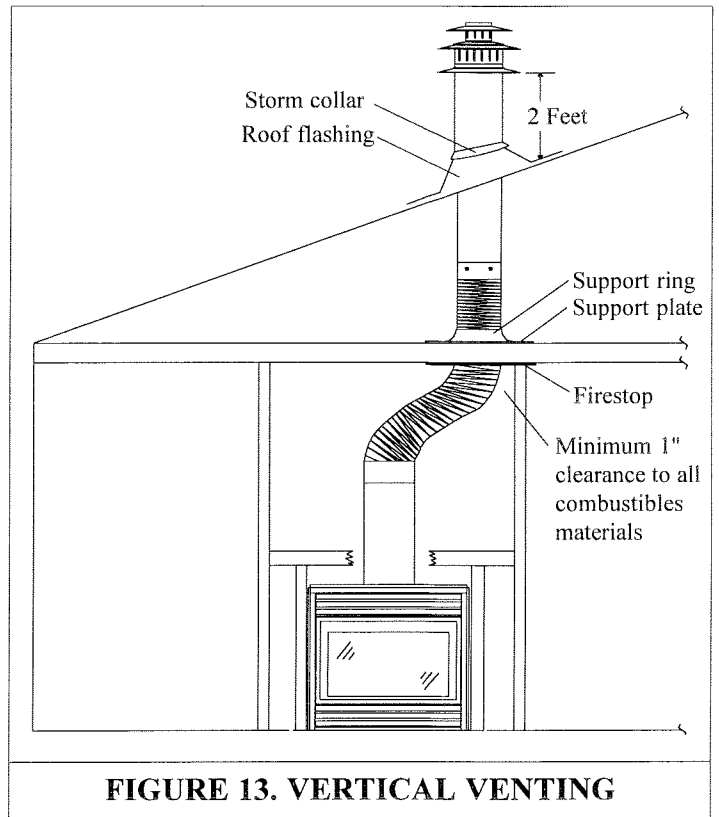


FIGURE 13. VERTICAL VENTING

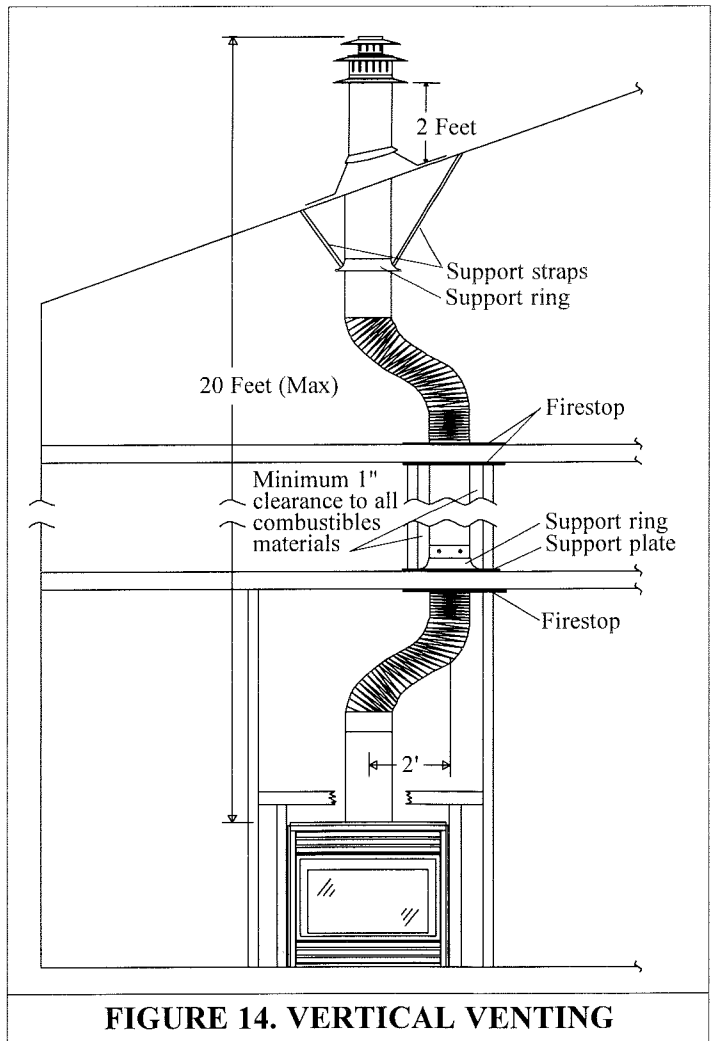
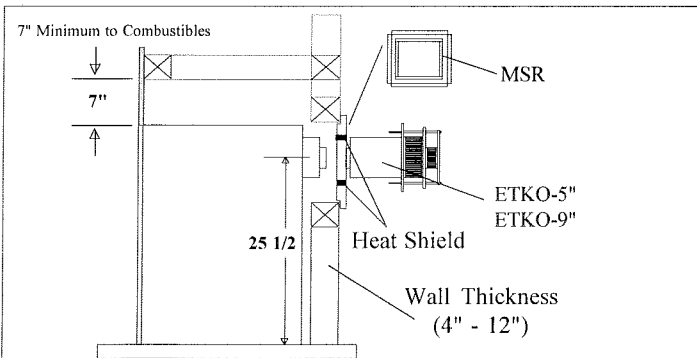


FIGURE 14. VERTICAL VENTING

VENTING OF REAR VENT DV

The D34DV has been designed for four possible rear vent installations.

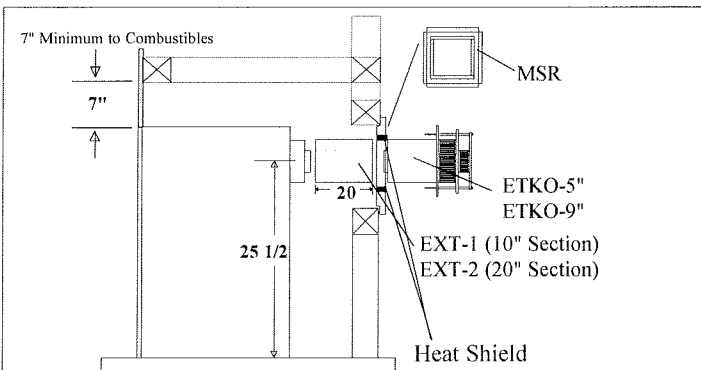
- 1). Standard 4" or 6" stud walls. For 4" walls use a stucco frame and a 5" termination. For 6" walls use a stucco frame and a 9" termination.



* See Note

FIGURE 15. STANDARD INSTALLATION

- 2). Extended vent kit. For extended vent use a stucco frame, 20" extended vent and a termination. **Note:** 20" kit may be cut to desired length but must never exceed 20".



* See Note

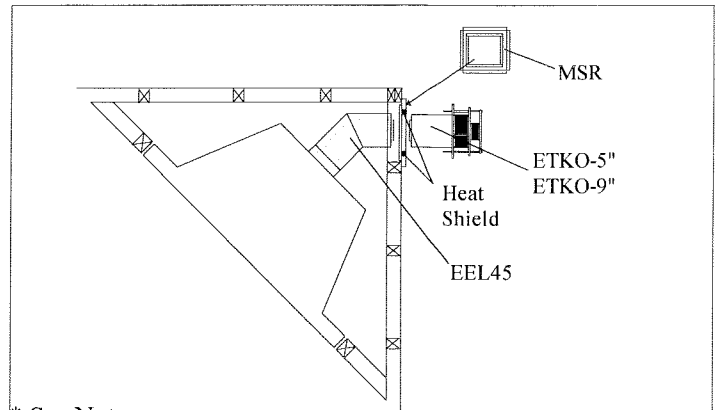
FIGURE 16. EXTENDED INSTALLATION

CAUTIONS AND REQUIREMENTS

All vent pipes must maintain a minimum of 1" clearance to combustible materials.

Note: It is imperative for satisfactory operation of the D34DV fireplace that no venting component be modified in any way. All components have been manufactured to eliminate the need for modification when properly selected and installed.

- 3). 45° corner kit. Use a 45° elbow, stucco frame and a 5" termination.



* See Note

FIGURE 17A. CORNER INSTALLATION

- 4). Corner installation of 45° or less: Use a Flexible section (available in ETKFL 12", or 18") a stucco frame and termination. Flex may be turned to obtain desired degree of angle required but must not exceed 45°. See diagram below:

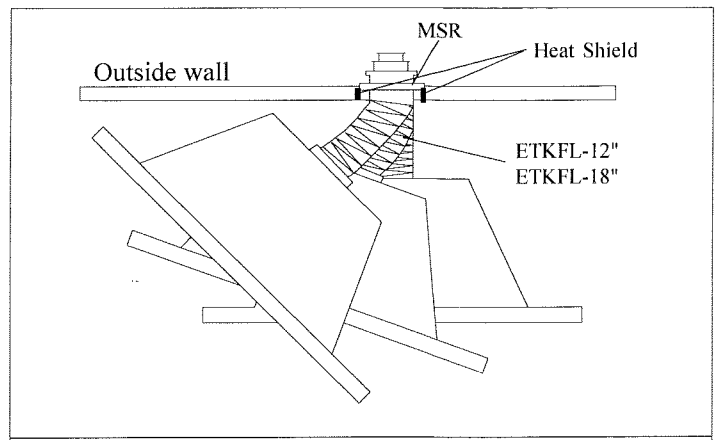


FIGURE 17B. FLEXIBLE INSTALLATION

***Note - Heat Shield MUST be installed around outer pipe where it passes through combustible construction.**

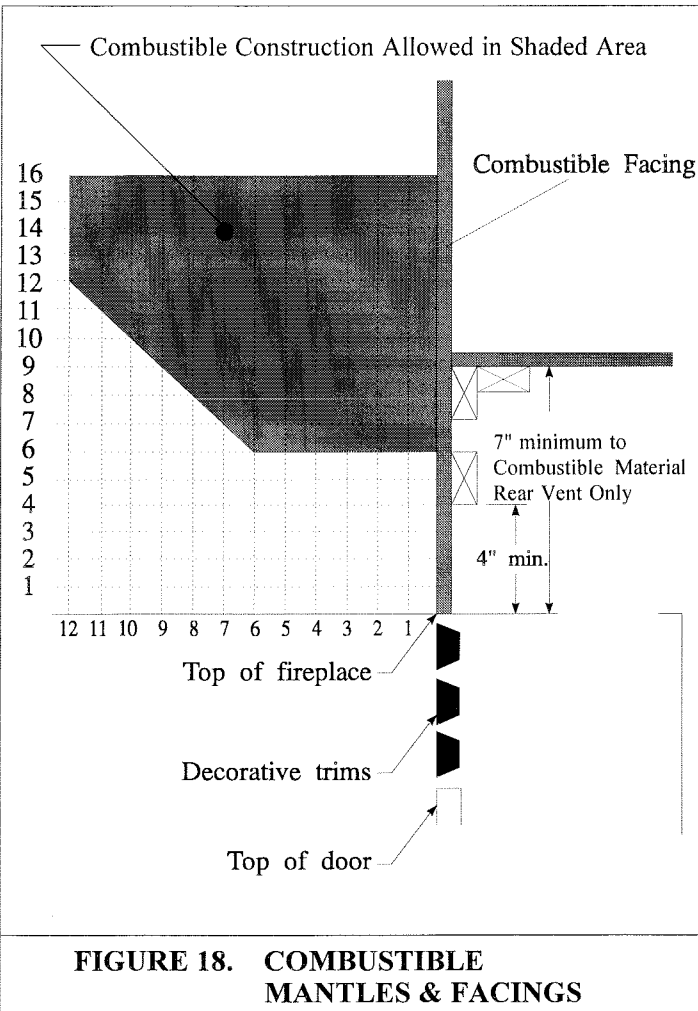
FIREPLACE MANTEL AND FACING

Combustible mantels and mouldings may be safely installed over the top and on the front of the fireplace provided that they do not project beyond shaded area shown in **figure 18A**. Side wall clearances are 3". Combustible surrounds may be installed with 3" clearance to the side of the fireplace as shown in **figure 18B**.

FIREPLACE FACING

When selecting the finish material for your fireplace, it is important to remember the following: **BRASS TRIMS MUST NOT BE OBSTRUCTED IN ANY WAY - to do so restricts the air supply for the control compartments and heat exchanger it also prevents access for servicing controls.**

The face of the fireplace may be painted to match the room decor, provided you use a heat-resistant paint. Decorative facing must not extend past the fireplace opening at all, because it will interfere with the access to retainers for removal of glass door.



MANTELS & SURROUNDS

NOTE: Certification mantel test requirements are for fire hazard prevention to combustible materials.

New technology, to meet consumer and government demands for the wise use of energy, has prompted us to manufacture many models of fireplaces which are hot, fuel and energy efficient.

Please be aware; temperatures over the mantel will rise above normal room temperature and walls above fireplace may be hot to touch.

We recommend careful consideration be given to the effects of elevated mantel temperatures which may be in excess of product design, for example: candles, plastic or pictures. This can cause melting, deformation, discoloration or premature failure of T.V. and radio components.

Painting: Special care is recommended by the Master Painters and Decorators Association, when painting the fireplace surrounds, to select and apply a quality Alkyd sealer prior to the applying of latex paints. This is to prevent leaching of water from evaporation and causing a brownish staining effect to paint over coats.

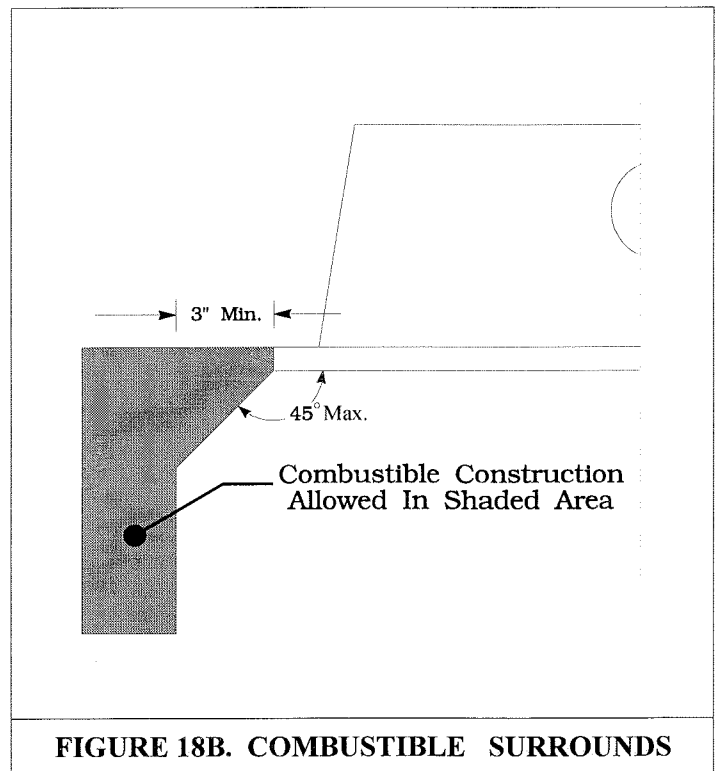


FIGURE 18B. COMBUSTIBLE SURROUNDS

INSTALLING THE GLASS DOOR

To install/remove the glass door simply attach/remove the four(4) machine screws, align tabs at the bottom of the door with the slots in the bottom door rail (See figure 19A). **Ensure that a good seal is maintained.**

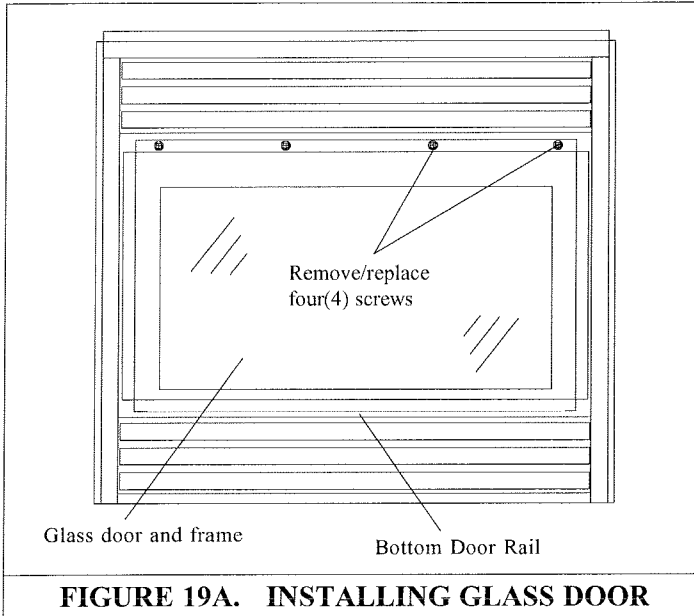


FIGURE 19A. INSTALLING GLASS DOOR

The door frame surround is attached to the fireplace with magnets that are located on the back of the frame. The magnets will hold the frame in place by simply aligning the frame to the outside of the door. (See figure 19B)

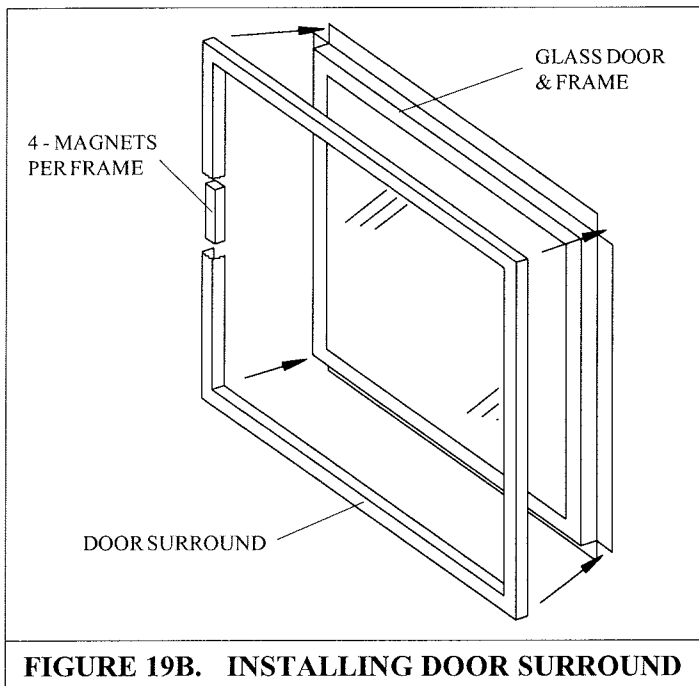


FIGURE 19B. INSTALLING DOOR SURROUND

INSTALLING THE REMOTE SWITCH

The D34DV is equipped with a remote-operated valve, located behind the removable brass grille, to the right of the gas control valve (refer to Figure 21.) The valve is pre-wired and completely self contained to generate its own power **DO NOT** connect any external power to it. **Note:** The switch location must not exceed 30' from fireplace.

INSTALLING D34DV LOG SET

The D34DV is supplied with four soft fibre ember logs. Two bottom big logs are factory mounted and cannot be moved. Two top logs are also mounted by factory but may shift during shipping. If logs shift place as indicated in Figure 20A below. Ember material is supplied in a 6 oz bag, place this along front burner.

WARNING: FAILURE TO INSTALL LOGS AS PER INSTRUCTIONS WILL RESULT IN EXCESSIVE SOOTING

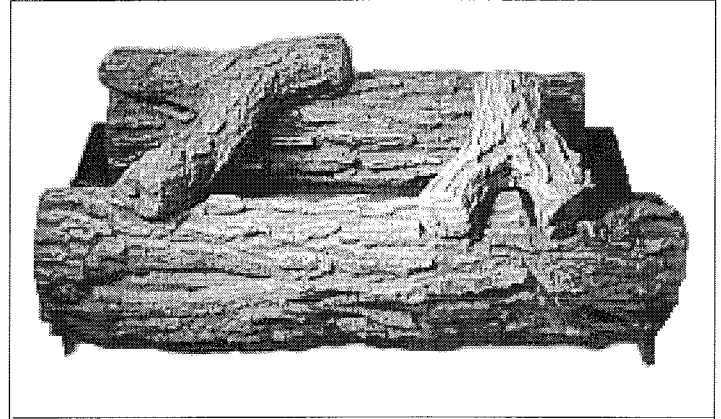
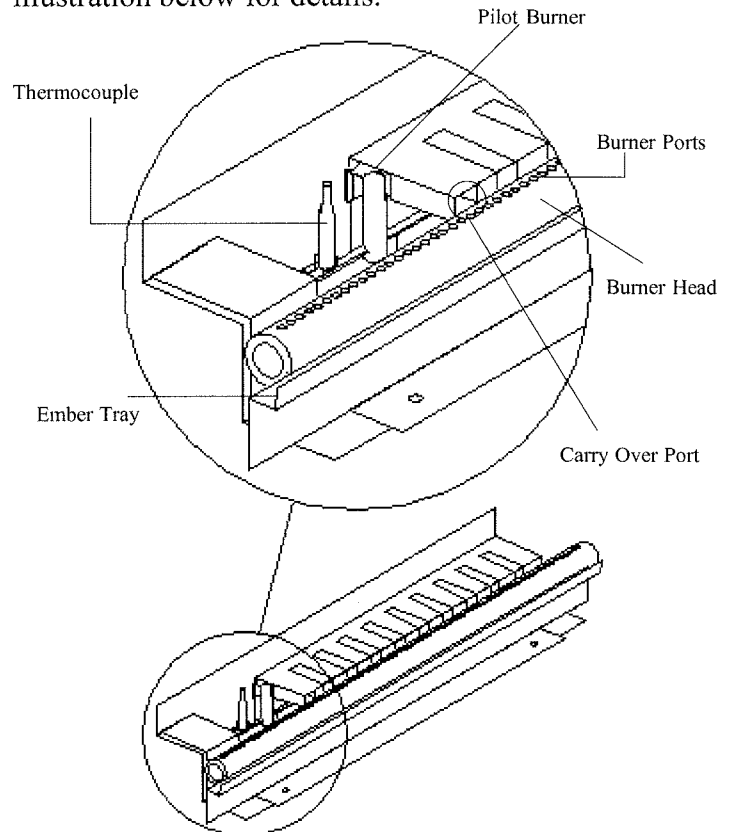


FIGURE 20A. LOG INSTALLATION

It is extremely important that you do not cover the **Carry Over Port** with embers. **Doing so may cause delayed ignition of the burner.** Embers may be placed in the burner tray and over the burner head. Keep the burner ports clear as much as possible as this will allow for the best "Glow" of the embers. See the illustration below for details.



OPERATING AND LIGHTING INSTRUCTIONS

FOR YOUR SAFETY READ BEFORE LIGHTING

WARNING: If you do not follow these instructions exactly, a fire or explosion may result causing property damage, personal injury or loss of life

- A. This appliance has a pilot which must be lighted using the Piezo igniter. When lighting the pilot, follow these instructions exactly.
- B. BEFORE LIGHTING smell all around the appliance area for gas. Be sure to smell next to the floor because some gas is heavier than air and will settle on the floor.


WHAT TO DO IF YOU SMELL GAS

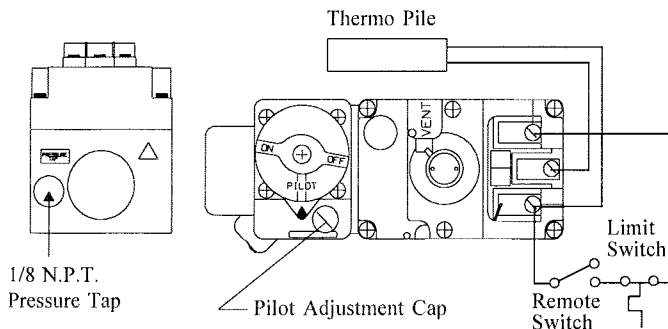
- Do not try to light the appliance.
- Do not touch any electrical switch: do not use any phone in your building.
- Immediately call your gas supplier from a neighbour's phone. Follow the gas suppliers instructions.

- If you cannot reach your gas supplier, call the Fire Department.

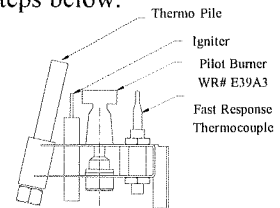
- C. Use only your hand to push in or turn the gas control knob. Never use tools. If the knob will not push in or turn by hand, don't try to repair it, call a qualified service technician. Force or attempt to repair may result in a fire or explosion.
- D. Do not use this appliance if any part has been under water. Immediately call a qualified service technician to inspect the appliance and to replace any part of the control system, and any gas control which has been under water.


LIGHTING INSTRUCTIONS

1. **STOP!** Read the safety information above on this label.
2. Remove lower brass trims.
3. Push in gas control knob and turn clockwise  to "OFF."




5. Light pilot burner following steps below.



6. Turn knob on gas control counterclockwise  to "PILOT."
7. Push in control knob all the way and hold in. Immediately light the pilot using the Piezo igniter (red Button). Continue to hold the control knob in for about (1) minute after the pilot is lit. Release the knob and it will pop back up. Pilot should remain lit. If it goes out repeat steps 3 through 7.

- If knob does not pop up when released. Stop and immediately call your service technician or gas supplier.
- If the pilot will not stay lit after several tries, turn the gas control knob to "OFF" and call your service technician or gas supplier.


8. Turn gas control knob counterclockwise  to "ON."
9. Replace lower brass trim.
10. Turn on remote switch to ignite fire.

Note: See installation instructions for alternate gas valve operation and wiring.

NOTE: Knob cannot be turned from "PILOT" to "OFF" unless knob is pushed in slightly. Do not force

4. Wait (5) minutes to clear out any gas. If you then smell gas, STOP! Follow "B" in the safety information above on this label. If you don't smell gas, go to the next step.

TO TURN OFF GAS TO APPLIANCE

1. Turn off remote switch.
2. Remove lower brass trim.
3. Push in gas control knob slightly and turn  clockwise to "Off". Do not force.
4. Replace brass trim.

GAS CONTROL VALVE

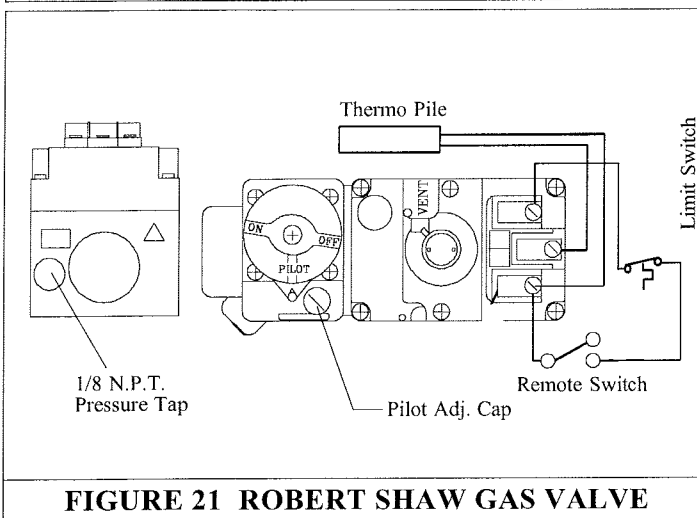


FIGURE 21 ROBERT SHAW GAS VALVE

PILOT BURNER ADJUSTMENT

1. Remove Pilot Adjustment Cap. (see figure 20)
2. Adjust pilot key to provide properly sized flame. See **Figure 21 for properly sized flame.**
3. Replace pilot adjustment cap.
4. Leak test with a soap solution after installing or servicing with main burner on. Coat pipe and tubing joints, gasket etc. with soap solution. Bubbles indicate leaks. Tighten any areas where the bubbles appear until the bubbling stops completely.

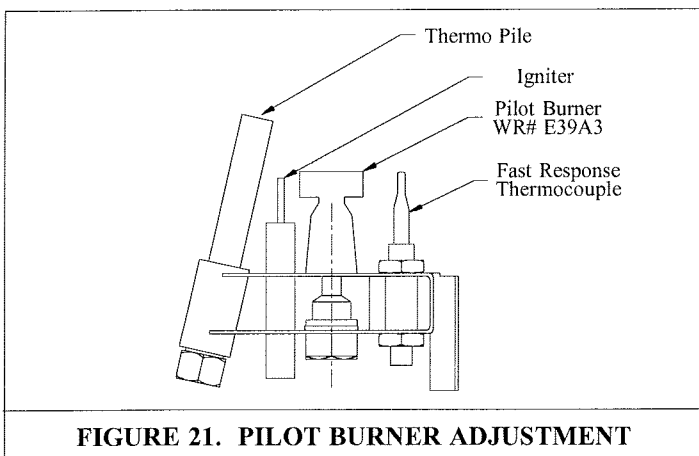


FIGURE 21. PILOT BURNER ADJUSTMENT

MAINTENANCE

- Have the fireplace installation inspected yearly, including a visual check of the vent system, the burner and the pilot flame. For your convenience a 1/8" manifold pressure tap is supplied on the gas valve for a test gauge connection. See Figure 6.
- For **Natural Gas** this appliance requires a minimum inlet pressure of 5.5" W.C. and a manifold pressure of 3.5" W.C.
- For **Propane Gas** this appliance requires a minimum inlet pressure of 11" W.C. and a manifold pressure of 10.5" W.C.
- Always keep the fireplace area clear and free of combustible materials, as well as gasoline and other flammable vapours and liquids.
- Use a vacuum cleaner or whisk broom to keep the control compartment, burner, and firebox free from dust and lint.
- Logs may be cleaned periodically with a vacuum to remove soot and other contamination.
- Do not use this appliance if any part has been under water. Immediately call a qualified service technician to inspect the appliance and to replace any part of the control system and any gas control which has been under water.

CLEANING

When fireplace is first activated some smoking and visible film on the glass may occur, this is a normal condition of heat burning of protective coatings on new metal.

- Products of combustion do deposit a visible film on the glass which must be cleaned periodically. Film can easily be removed by removing the 4 screws which hold the door in place, handling carefully, and cleaning with normal liquid household products.

WARNING: Do not attempt to clean glass when hot. Do not clean glass with abrasive materials as any glass etching may cause premature glass failure.

- Silicone seals on inner door during initial firing will "off gas", leaving a visual deposit of a white substance on combustion chamber walls. This can easily be removed using normal household products.
- Use a vacuum cleaner or whisk broom to keep the control compartment, burner, and firebox free from dust and lint.

CAUTIONS

- * **Fireplace gas control must be in the "OFF" position and pilot and main burners extinguished when cleaning appliance with a vacuum.**
- * **Doors and logs can get very hot, handle only when logs are cool.**

TROUBLESHOOTING

The following is a troubleshooting chart of possible problems:

PROBLEM	CORRECTIVE ACTION
Noisy Pilot Flame	Remove pilot adjuster cap, located next to gas shut off valve. Flame is decreased by turning adjustment screw clockwise.
Pilot won't ignite	Disconnect remote wires and try to light pilot. If pilot now works, remote connections are faulty. Check wiring diagram figure 14.
Main burner will not light	1. Check wiring (see figure 14.) 2. Check wall switch for proper connection.

If your **D34DV** still does not operate correctly, consult your dealer or the manufacturer.

All service and repairs should be performed by a qualified agency.

All spare part and optional trim finishes are available from Canadian Heating Products Inc. or your local dealer.

The **D34DV** has a ten-year limited warranty on the firebox, a five-year warranty on the main burner, pilot burner and a one-year warranty on the gas control valve and glass doors.

**D34DV
GAS FIREPLACES WARRANTY**

THE WARRANTY

Canadian Heating Products Inc. warrants the Montigo D34DV Gas Appliance to be free from defects in materials and workmanship at the time of manufacture. On the Montigo D34DV there is a ten-year warranty on the firebox and its components, a five-year warranty on the main burner, pilot burner and a one-year warranty on the gas control valve and glass doors.

REMEDY AND EXCLUSIONS

The coverage of this Warranty is limited to all components of the gas appliance manufactured by Canadian Heating Products Inc.

This Warranty only covers Montigo gas appliances installed in the United States or Canada.

If the components of the gas appliance covered by this Warranty are found to be defective within the time frame stated (see Canadian Heating's right of investigation outlined below). Canadian Heating will, at its option, replace or repair defective components of the gas appliance manufactured by Canadian Heating Products Inc. at no charge, and will also pay for reasonable labour costs incurred in replacing or repairing components. If repair or replacement is not commercially practical, Canadian Heating will, at its option, refund the purchase price of the Montigo D34DV gas appliance.

This Warranty covers only parts and labour as provided above. In no case shall Canadian Heating Products Inc. be responsible for materials, components, or construction which are not manufactured or supplied by Canadian Heating Products Inc., or for the labour necessary to install, repair or remove such materials, components or construction. All replacement or repair components will be shipped F.O.B. the nearest Canadian Heating Products Inc. factory.

QUALIFICATIONS TO THE WARRANTY

The gas appliance Warranty outlined above is further subject to the following qualifications:

(1) The gas appliance must be installed in accordance with Canadian Heating Products Inc. installation instructions and local building codes. The Warranty on this Montigo D34DV gas appliance covers only the component parts manufactured by Canadian Heating Products Inc. The use of components manufactured by others with this Montigo D34DV gas appliance could create serious safety hazards, may result in the denial of certification by recognized national safety agencies, and could be in violation of local building codes. This warranty does not cover any damages occurring from the use of any components not manufactured or supplied by Canadian Heating Products Inc.

(2) The Montigo D34DV gas appliance must be subjected to normal use. The gas appliances are designed to burn gas only. Burning conventional fireplace fuels such as wood, coal or any other solid fuel will cause damage to the gas appliance, will produce excessive temperatures and will result in a fire hazard.

LIMITATIONS ON LIABILITY

It is expressly agreed and understood that Canadian Heating Products Inc.'s sole obligation, and purchaser's exclusive remedy under this Warranty, under any other warranty, expressed or implied, or in contract, tort or otherwise, shall be limited to replacement, repair, or refund, as specified above.

In no event shall Canadian Heating Products Inc. be responsible for any incidental or consequential damages caused by defects in its products, whether such damage occurs or is discovered before or after replacement or repair, and whether or not such damage is caused by Canadian Heating Products Inc.'s negligence. Some states do not allow the exclusion or limitation of incidental or consequential damages, so the above limitation or exclusion may not apply to you. The duration of any implied warranty with respect to this Montigo D34DV gas appliance is limited to the duration of the foregoing warranty. Some states do not allow limitation on how long an implied warranty lasts, so the above may not apply to you.

INVESTIGATION OF CLAIMS AGAINST WARRANTY

Canadian Heating Products Inc. reserves the right to investigate any and all claims against this Warranty and to decide upon method of settlement.

CANADIAN HEATING PRODUCTS INC. NOT RESPONSIBLE FOR WORK DONE WITHOUT WRITTEN CONSENT

Canadian Heating Products Inc. shall in no event be responsible for any warranty work done without first obtaining Canadian Heating's written consent.

DEALERS HAVE NO AUTHORITY TO ALTER THIS WARRANTY

Canadian Heating Products Inc.'s employees and dealers have no authority to make any warranties nor to authorize any remedies in addition to or inconsistent with those stated above.

HOW TO REGISTER A CLAIM AGAINST WARRANTY

In order for any claim under this Warranty to be valid, Canadian Heating Products Inc. or Montigo Del Ray Corp. must be notified of the claimed defect, in writing or by telephone, as soon as reasonably possible after the defect is discovered. Claims against this Warranty in writing should include the date of installation, and a description of the defect.

OTHER RIGHTS

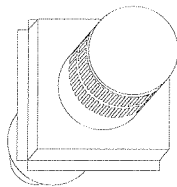
This Warranty gives you specific legal rights, and you may also have other rights which vary from state to state.

Canadian Heating Products Inc. and/or Montigo DelRay Corp. reserves the right to make changes at any time, without notice, in design, materials, specifications, prices and also to discontinue colors, styles and products.

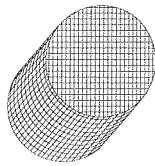
MONTIGO DEL RAY CORP.
6925 Salashan Parkway, Ferndale, WA 98248

CANADIAN HEATING PRODUCTS INC.
13120 76th Avenue, Surrey, B.C. Canada V3W 2V6

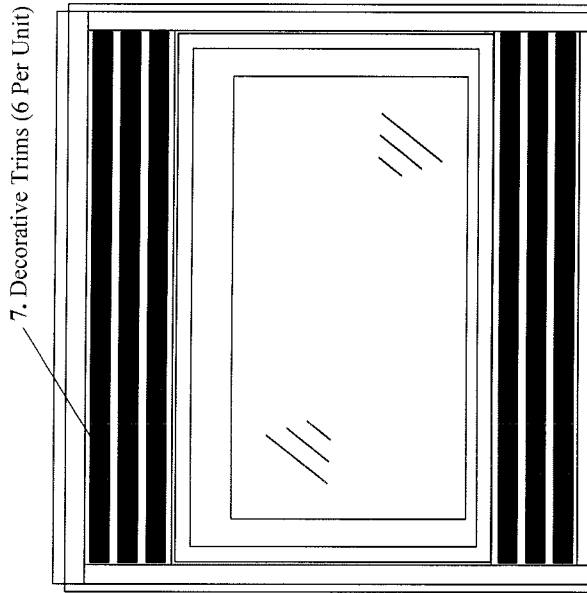
MONTIGO D34DV SPARE PARTS LIST



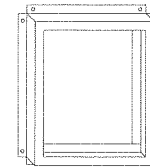
1. MTKO Termination



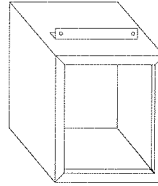
2. MTKOG Heat Guard



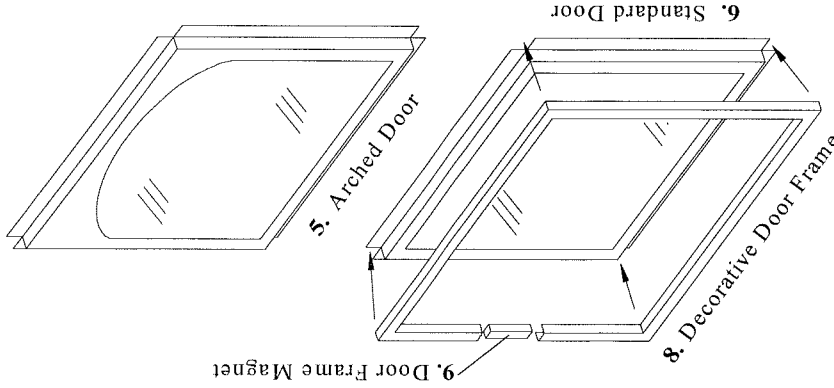
7. Decorative Trims (6 Per Unit)



3. Siding or Stucco Frame



4. Siding or Stucco Can

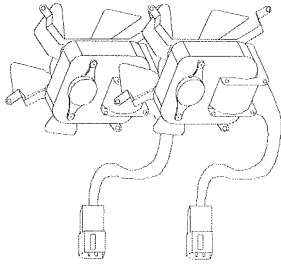


9. Door Frame Magnet

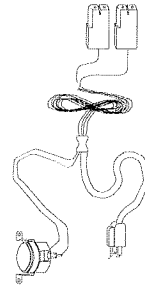
5. Arched Door

6. Standard Door

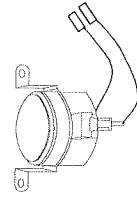
8. Decorative Door Frame



10. Fan Motors
(2 Fans Standard,
2 Fans Optional)



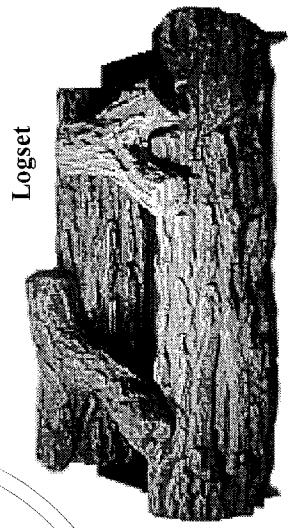
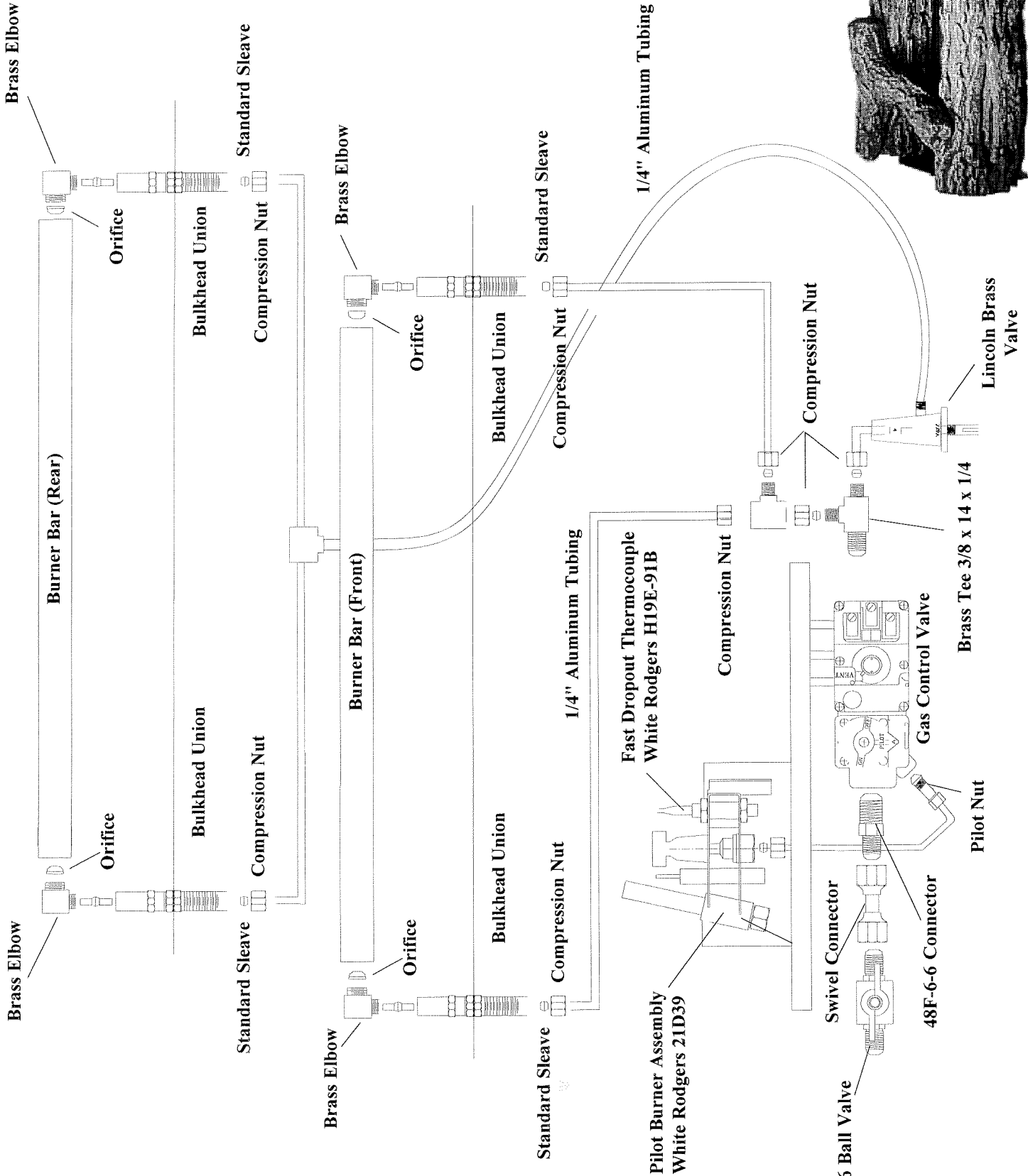
11. Wire Harness



12. Automatic Fan Switch

PART LIST....Page 1	
1. MTKO Termination	7. Decorative Trims (6)
2. MTKOG Heat Guard	8. Decorative Door Frame
3. Siding or Stucco Frame	9. Decorative Door Magnet
4. Siding or Stucco Can	10. Optional Fan Motors (1-4)
5. Arched Door	11. Wire Harness
6. Standard Door	12. Auto Fan Switch

MONTIGO D34DV SPARE PARTS LIST



Logset