

## DISCONTINUED ITEM

THIS ITEM HAS BEEN DISCONTINUED AND IS  
NO LONGER IN PRODUCTION.  
PLEASE CONTACT YOUR LOCAL MONTIGO DEALER  
REGARDING MAINTENANCE AND SPARE PARTS AVAILABILITY.

# MONTIGO

## INSTALLING AND OPERATING YOUR MONTIGO E34-BV GAS-BURNING FIREPLACE

Please leave this manual with the owner

### FOR YOUR SAFETY

#### WHAT TO DO IF YOU SMELL GAS:

- Do not try to light any appliance.
- Do not touch any electrical switch; do not use any phone in your building.
- Immediately call your gas supplier from a neighbor's phone. Follow the gas supplier's instructions.
- If you cannot reach your gas supplier, call the fire department.

### FOR YOUR SAFETY:

Do not store or use gasoline or other flammable vapors and liquids in the vicinity of this or any other appliance.

### WARNING:

Improper installation, adjustment, alteration, service or maintenance can cause injury or property damage. Refer to this manual. For assistance or additional information consult a qualified installer, service agency or the gas supplier.

## READ INSTRUCTIONS CAREFULLY BEFORE INSTALLING



**MODEL #: E34-BV**



**Canadian Heating Products Inc.**

Surrey, BC V3W 2V6

**Montigo Del Ray Corp.**

Ferndale, WA 98248

## INTRODUCTION

The **E34-BV** is rated at 15,000 BTUH. (4.5 Kilowatts) for Natural Gas & 15,000 BTUH (4.5 Kilowatts) for Propane gas.

The Montigo warranty will be voided by, and **Montigo** disclaims any responsibility for, the following actions:

- Modification of the fireplace and/or components including the glass doors.
- Use of any component part not manufactured or approved by Montigo in combination with this Montigo fireplace system.
- Installation other than as instructed in this manual.

Consult your local Gas Inspection Branch about the particular requirements concerning installation of factory-built gas fireplaces. **Installation & repairs should be done by a qualified contractor, and installation must conform with the current CAN/CGAB-149.1 and .2 Gas Installation Code or ANSI Z223.1-1988 and local regulations. When the unit employs the Circulating air fans it must be grounded in accordance with CSA C22.1 Canadian Electrical Code Part 1 or ANSI/NFPA 70-1987 and/or Local Codes.**

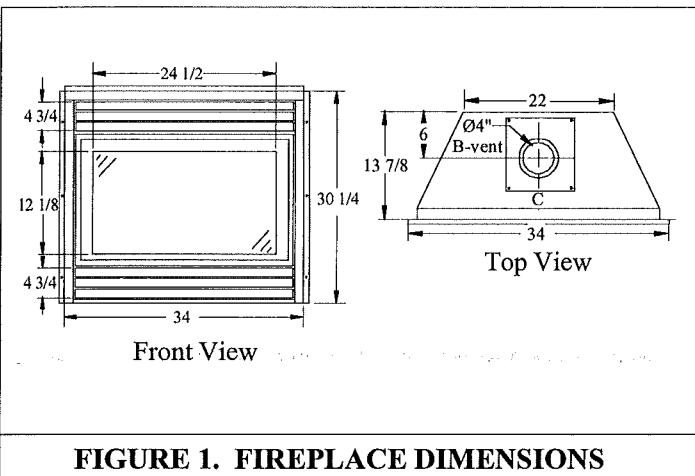
## CAUTIONS

- \* **Due to its high operating temperatures, the appliance should be located out of traffic & away from furniture and draperies.**
- \* **Children and adults should be alerted to the hazards of the high surface temperature, which could cause burns or clothing ignition.**
- \* **Young children should be carefully supervised when they are in the same room as the appliance.**
- \* **Clothing or other flammable materials should not be placed on or near the appliance.**

## SELECTING YOUR FIREPLACE LOCATION

The fireplace may be installed in any location that is free of air condition ducts, electrical wiring and plumbing. Safety, as well as efficiency of operation, must be considered when selecting the fireplace location. Try to select a location that does not interfere with room traffic, has adequate ventilation, and offers an accessible pathway for Direct Vent & Combustion Air Kit installation.

The fireplace dimensions are shown below:



**FIGURE 1. FIREPLACE DIMENSIONS**

## INSTALLING THE FIREPLACE SHELL

The **E34-BV** clearances to combustible materials are:

Top	12"
Back	0"
Sides	1/2"
Floor	0"
Mantle**	8"

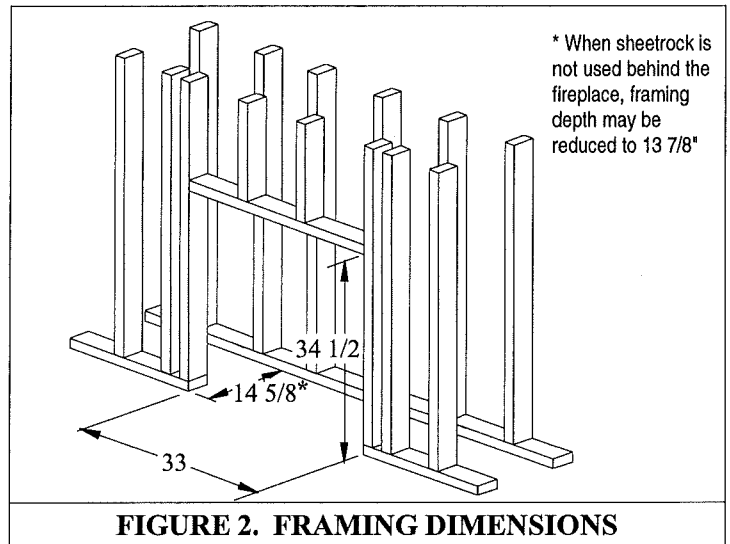
\* Clearance from the top of the fireplace to a combustible ceiling within the fireplace enclosure.

\*\* Refer to page 4.

The **E34-BV** must not be installed any closer than 3 inches to any unprotected combustible wall perpendicular to the fireplace opening.

**WARNING:** When this appliance is installed directly on carpeting, tile or other combustible materials other than wood flooring, the appliance shall be installed on a metal or wood panel extending the full width and depth of the appliance.

For protection against freezing temperatures, it is recommended that outer walls of the chase be insulated with a vapour barrier. This will reduce the possibility of a cold-air convection current on the fireplace.



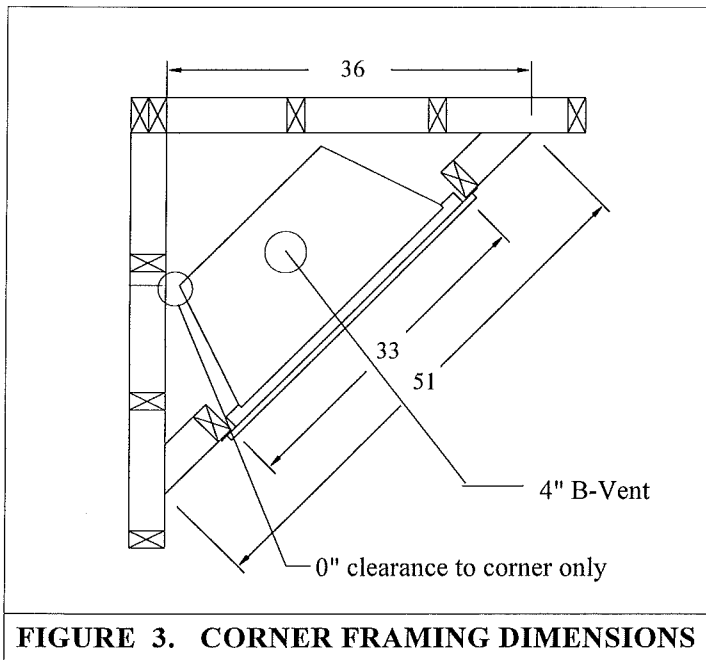
**FIGURE 2. FRAMING DIMENSIONS**

## INSTALLING THE GAS LINE

The gas line must be installed before finishing the E34-BV Fireplace. **Natural Gas** requires a minimum inlet gas supply pressure of 5.5" W.C. & a manifold pressure of 3.5" W.C. **Propane Gas** requires a minimum inlet gas supply pressure of 11" W.C. & a manifold pressure of 10.5" W.C. It is also required that provisions be made for a 1/8" N.P.T. plugged tapping and be accessible for test gauge connection immediately upstream of the gas supply controls to the appliance. The fireplace gas connection and the main operating gas valve is located behind the removable brass trim at the bottom of the unit and need only be attached to the gas line with an approved fitting, as required by the **CAN/CGA B-149.1 and/or .2 Gas Installation Code or ANSI Z223.1-1988** and/or local regulations. The Maximum inlet gas supply pressure is 1/2 psig (3.5 kPa).

The appliance and its individual shutoff valve must be disconnected from the gas supply piping system during any pressure testing of that system at test pressures in excess of 1/2 psig (3.5 kPa).

The appliance must be isolated from the gas supply piping system by closing its individual manual shutoff valve during any pressure testing of the gas supply piping system at test pressures equal to or less than 1/2 psig (3.5 kPa).



**FIGURE 3. CORNER FRAMING DIMENSIONS**

**INSTALLATION OF B-VENT:**

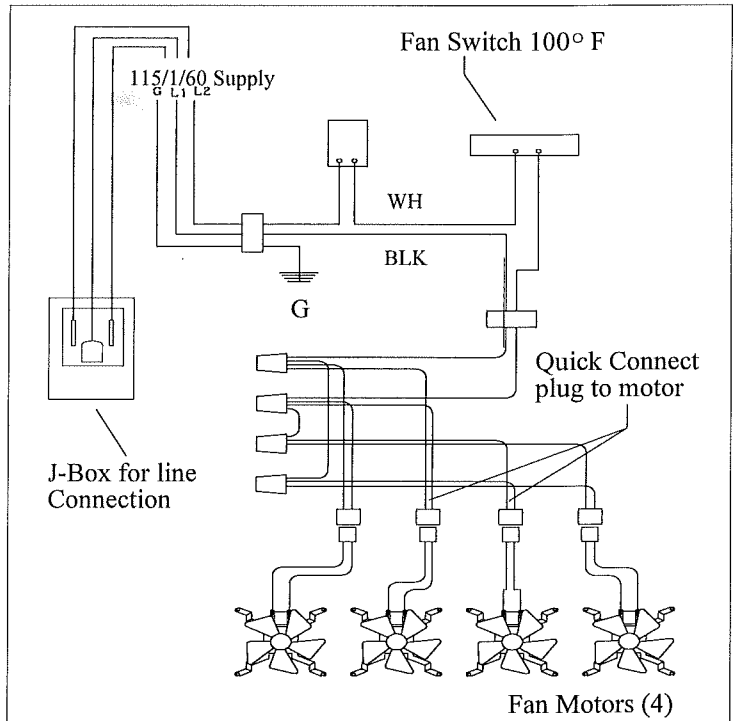
The ET34BV requires **4" B-Vent** and no B-Vent appliance connector. Simply fasten the B-Vent to the L-shaped brackets on each side of the opening with 1/4" sheet metal screws. Do not penetrate the inner sleeve of the B-Vent when tightening the screws.

**Refer to the current CAN/CGA B-149.1 and .2 or ANSI Z223.1-1988 Gas Installation Code for specific vent sizing.**

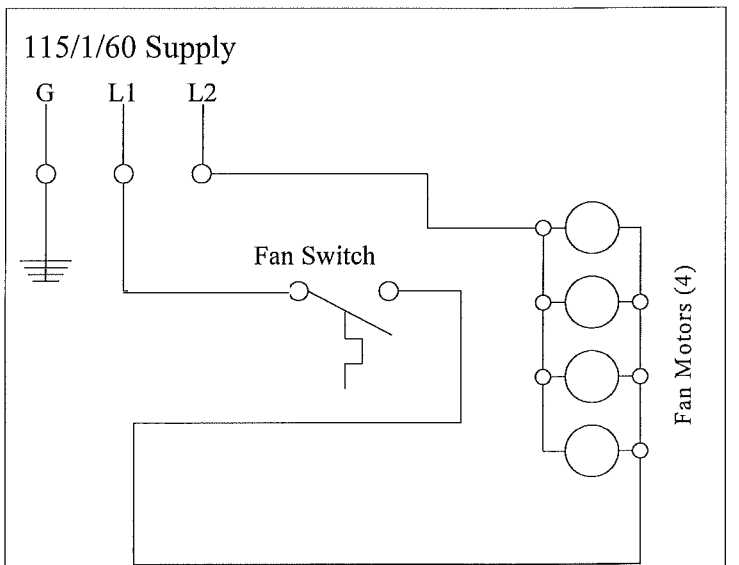
**CAUTION:** Test your B-Vent installation after completion to assure that no combustible by-products are spilling from the fireplace opening. This draft test should be performed after a three(3) minute warm up period. Canadian Heating Products Inc. will not be responsible for any installations with inadequate draw.

**WIRING SCHEMATIC FOR FANS**

The unit employs the Circulating Air Fans and must be grounded in accordance with CSA C22.1 Canadian Electrical Code Part 1 or ANSI/NFPA 70-1987 and/or Local Codes.



**COMPONENTS**



**NOTE:** If any of the original wire as supplied with the appliance must be replaced, it must be replaced with type SEW wire or its equivalent.

**SCHEMATIC DIAGRAM**

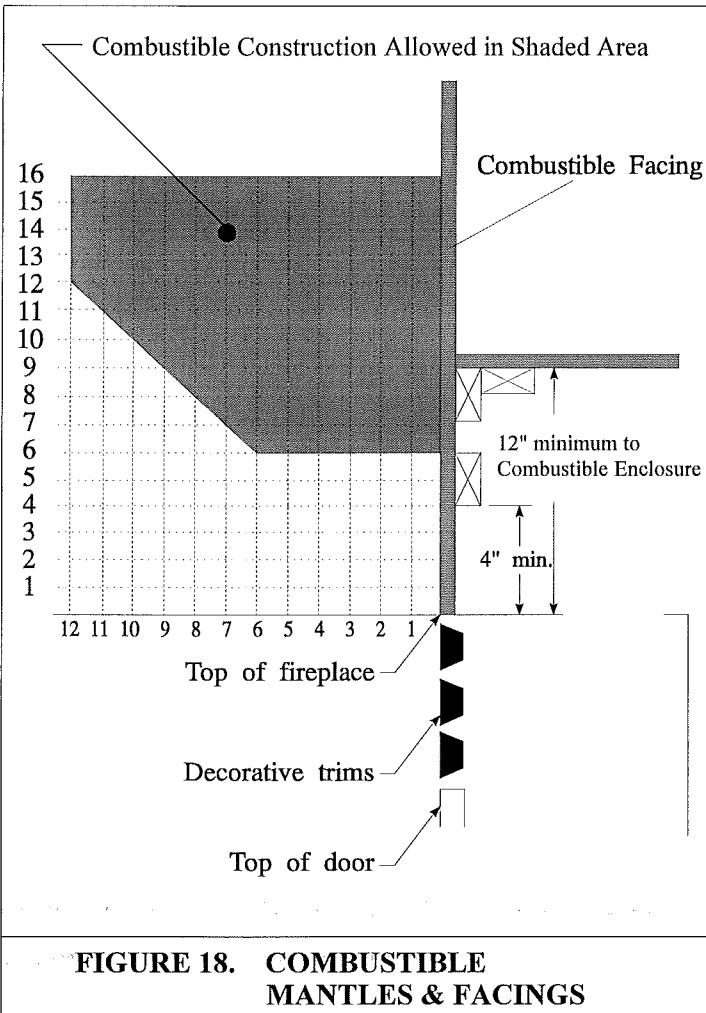
## FIREPLACE MANTEL AND FACING

Combustible mantels and mouldings may be safely installed over the top and on the front of the fireplace provided that they do not project beyond shaded area shown in **figure 18A**. Side wall clearances are 3". Combustible surrounds may be installed with 3" clearance to the side of the fireplace as shown in **figure 18B**.

## FIREPLACE FACING

When selecting the finish material for your fireplace, it is important to remember the following: **BRASS TRIMS MUST NOT BE OBSTRUCTED IN ANY WAY - to do so restricts the air supply for the control compartments and heat exchanger it also prevents access for servicing controls.**

The face of the fireplace may be painted to match the room decor, provided you use a heat-resistant paint. Decorative facing must not extend past the fireplace opening at all, because it will interfere with the access to retainers for removal of glass door.



## MANTELS & SURROUNDS

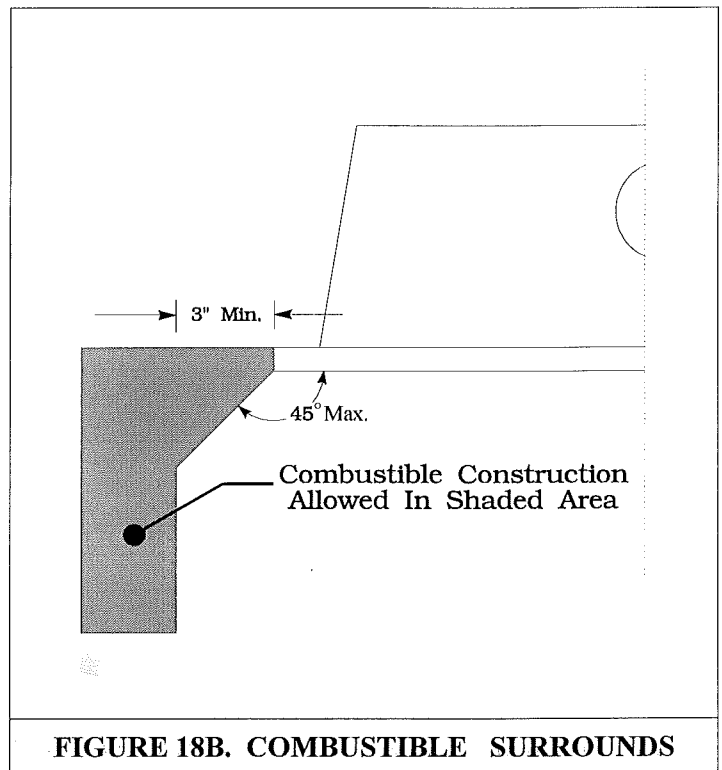
**NOTE:** Certification mantel test requirements are for fire hazard prevention to combustible materials.

New technology, to meet consumer and government demands for the wise use of energy, has prompted us to manufacture many models of fireplaces which are hot, fuel and energy efficient.

Please be aware; temperatures over the mantel will rise above normal room temperature and walls above fireplace may be hot to touch.

We recommend careful consideration be given to the effects of elevated mantel temperatures which may be in excess of product design, for example: candles, plastic or pictures. This can cause melting, deformation, discoloration or premature failure of T.V. and radio components.

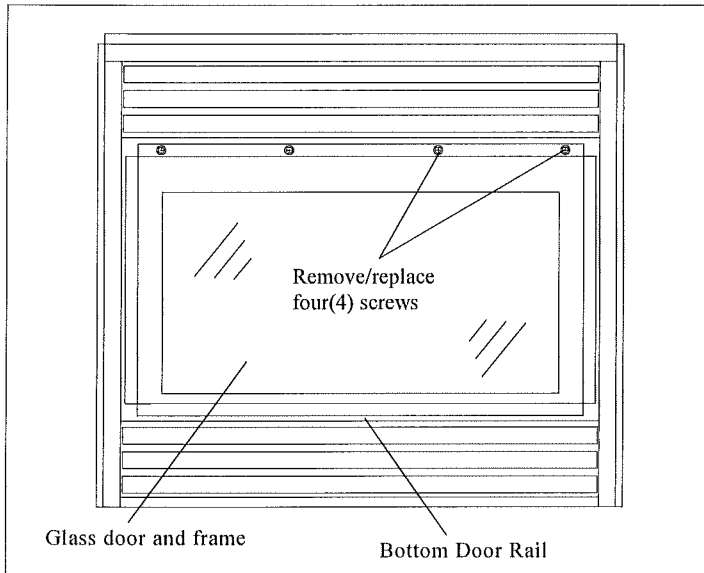
**Painting:** Special care is recommended by the Master Painters and Decorators Association, when painting the fireplace surrounds, to select and apply a quality Alkyd sealer prior to the applying of latex paints. This is to prevent leaching of water from evaporation and causing a brownish staining effect to paint over coats.



**FIGURE 18B. COMBUSTIBLE SURROUNDS**

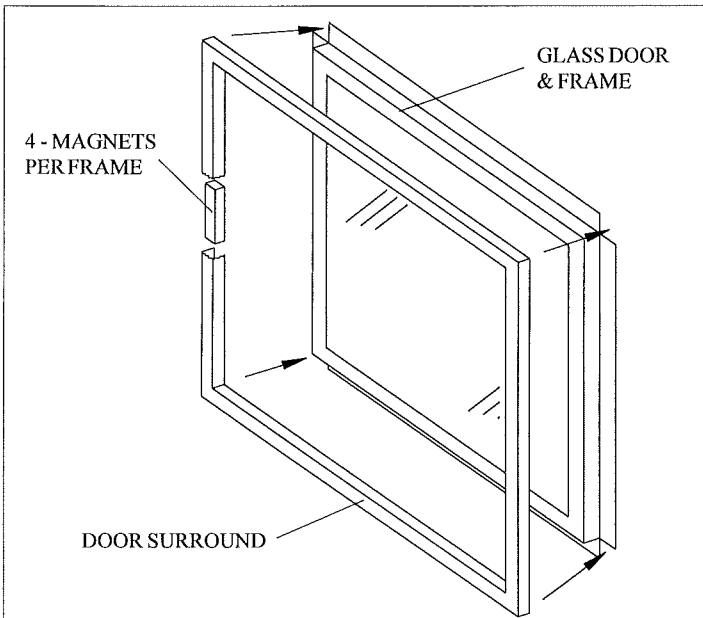
## INSTALLING THE GLASS DOOR

To install/remove the glass door simply attach/remove the four(4) machine screws, align tabs at the bottom of the door with the slots in the bottom door rail (See figure 19A). **Ensure that a good seal is maintained.**



**FIGURE 19A. INSTALLING GLASS DOOR**

The door frame surround is attached to the fireplace with magnets that are located on the back of the frame. The magnets will hold the frame in place by simply aligning the frame to the outside of the door. (See figure 19B)



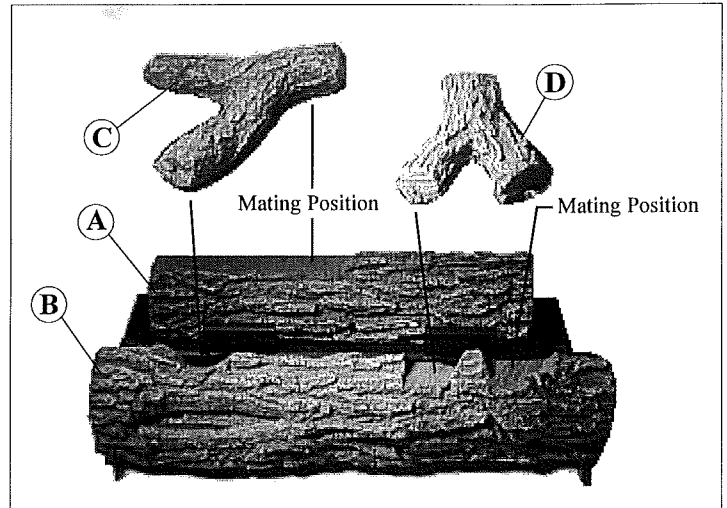
**FIGURE 19B. INSTALLING DOOR SURROUND**

## INSTALLING THE REMOTE SWITCH

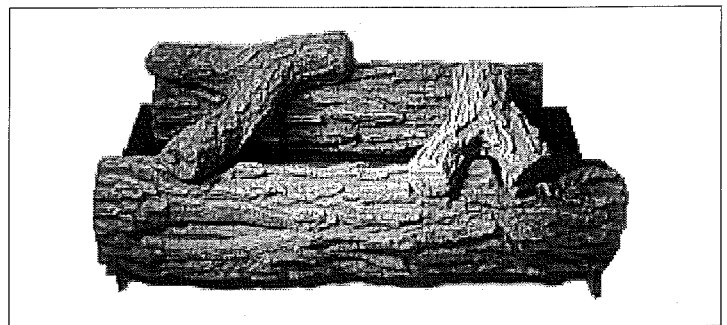
The ET34BV is equipped with a remote-operated valve, located behind the removable brass grille, to the right of the gas control valve (refer to Figure 21.) The valve is pre-wired and completely self contained to generate its own power **DO NOT** connect any external power to it. **Note:** The switch location must not exceed 30' from fireplace.

## INSTALLING ET34BV LOG SET

The ET34BV is supplied with four(4) very attractive cultured oak logs. To install simply place log "A's" rectangular shaped extension into the log mounting slot located on rear wall of the burner assembly. Place log "B" onto front log slots of the burner assembly. Place log "C" and log "D" onto the mating positions as shown in figure 20A below. When log set is installed it should look like figure 20B.



**FIGURE 20A. LOG INSTALLATION**



**WARNING: FAILURE TO INSTALL LOGS AS PER INSTRUCTIONS WILL RESULT IN EXCESSIVE SOOTING**

**FIGURE 20B. COMPLETED INSTALLATION**

# OPERATING AND LIGHTING INSTRUCTIONS

FOR YOUR SAFETY READ BEFORE LIGHTING

**WARNING: If you do not follow these instructions exactly, a fire or explosion may result causing property damage, personal injury or loss of life**

- A. This appliance has a pilot which must be lighted using the Piezo igniter. When lighting the pilot, follow these instructions exactly.
- B. BEFORE LIGHTING smell all around the appliance area for gas. Be sure to smell next to the floor because some gas is heavier than air and will settle on the floor.

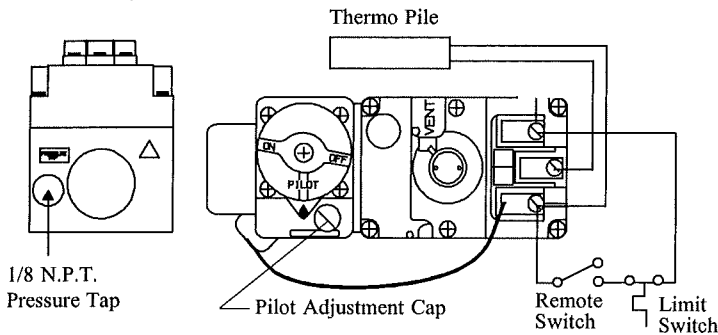
**WHAT TO DO IF YOU SMELL GAS**

- Do not try to light the appliance.
- Do not touch any electrical switch; do not use any phone in your building.
- Immediately call your gas supplier from a neighbour's phone. Follow the gas suppliers instructions.

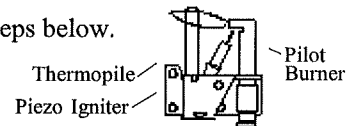
- If you cannot reach your gas supplier, call the Fire Department.
- C. Use only your hand to push in or turn the gas control knob. Never use tools. If the knob will not push in or turn by hand, don't try to repair it, call a qualified service technician. Force or attempt to repair may result in a fire or explosion.
- D. Do not use this appliance if any part has been under water. Immediately call a qualified service technician to inspect the appliance and to replace any part of the control system, and any gas control which has been under water.

## LIGHTING INSTRUCTIONS

1. **STOP!** Read the safety information above on this label.
2. Remove lower brass trims.
3. Push in gas control knob and turn clockwise to "OFF."



5. Light pilot burner following steps below.



6. Turn knob on gas control counterclockwise to "PILOT."
7. Push in control knob all the way and hold in. Immediately light the pilot using the Piezo igniter (red Button). Continue to hold the control knob in for about (1) minute after the pilot is lit. Release the knob and it will pop back up. Pilot should remain lit. If it goes out repeat steps 3 through 7.
  - If knob does not pop up when released. Stop and immediately call your service technician or gas supplier.
  - If the pilot will not stay lit after several tries, turn the gas control knob to "OFF" and call your service technician or gas supplier.

8. Turn gas control knob counterclockwise to "ON."
9. Replace lower brass trim.
10. Turn on remote switch to ignite fire.

**Note: See installation instructions for alternate gas valve operation and wiring.**

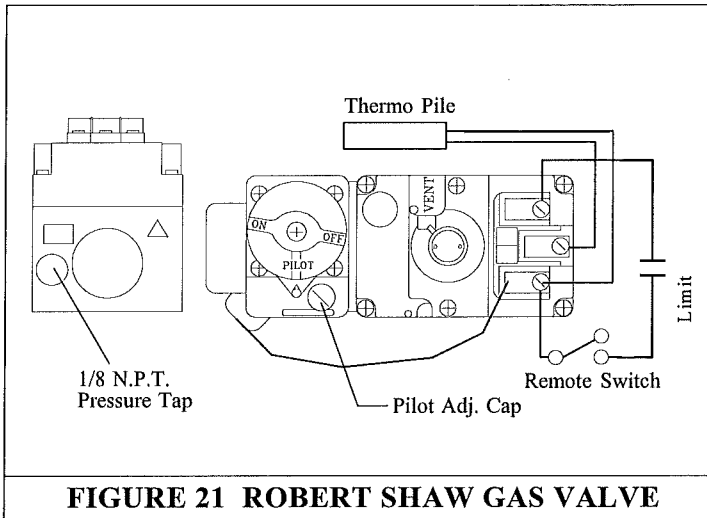
NOTE: Knob cannot be turned from "PILOT" to "OFF" unless knob is pushed in slightly. Do not force

4. Wait (5) minutes to clear out any gas. If you then smell gas, STOP! Follow "B" in the safety information above on this label. If you don't smell gas, go to the next step.

## TO TURN OFF GAS TO APPLIANCE

1. Turn off remote switch.
2. Remove lower brass trim.
3. Push in gas control knob slightly and turn clockwise to "Off". Do not force.
4. Replace brass trim.

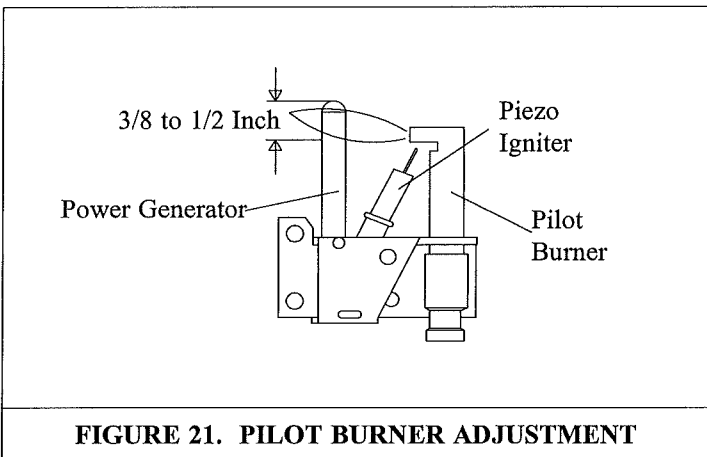
## GAS CONTROL VALVE



**FIGURE 21 ROBERT SHAW GAS VALVE**

## PILOT BURNER ADJUSTMENT

1. Remove Pilot Adjustment Cap. (see figure 20)
2. Adjust pilot key to provide properly sized flame. See **Figure 21 for properly sized flame.**
3. Replace pilot adjustment cap.
4. Leak test with a soap solution after installing or servicing with main burner on. Coat pipe and tubing joints, gasket etc. with soap solution. Bubbles indicate leaks. Tighten any areas where the bubbles appear until the bubbling stops completely.



**FIGURE 21. PILOT BURNER ADJUSTMENT**

## MAINTENANCE

- Have the fireplace installation inspected yearly, including a visual check of the vent system, the burner and the pilot flame. For your convenience a 1/8" manifold pressure tap is supplied on the gas valve for a test gauge connection. See Figure 6.
- For **Natural Gas** this appliance requires a minimum inlet pressure of 5.5" W.C. and a manifold pressure of 3.5" W.C.
- For **Propane Gas** this appliance requires a minimum inlet pressure of 11" W.C. and a manifold pressure of 10.5" W.C.
- Always keep the fireplace area clear and free of combustible materials, as well as gasoline and other flammable vapours and liquids.
- Use a vacuum cleaner or whisk broom to keep the control compartment, burner, and firebox free from dust and lint.
- Logs may be cleaned periodically with a vacuum to remove soot and other contamination.
- Do not use this appliance if any part has been under water. Immediately call a qualified service technician to inspect the appliance and to replace any part of the control system and any gas control which has been under water.

## CLEANING

When fireplace is first activated some smoking and visible film on the glass may occur, this is a normal condition of heat burning of protective coatings on new metal.

- Products of combustion do deposit a visible film on the glass which must be cleaned periodically. Film can easily be removed by removing the 10 screws which hold the door in place, handling carefully, and cleaning with normal liquid household products.

**WARNING: Do not attempt to clean glass when hot. Do not clean glass with abrasive materials as any glass etching may cause premature glass failure.**

- Silicone seals on inner door during initial firing will "off gas", leaving a visual deposit of a white substance on combustion chamber walls. This can easily be removed using normal household products.
- Use a vacuum cleaner or whisk broom to keep the control compartment, burner, and firebox free from dust and lint.
- Logs may be cleaned periodically with soap and water to remove soot.

## CAUTIONS

- \* **Fireplace gas control must be in the "OFF" position and pilot and main burners extinguished when cleaning appliance with a vacuum.**
- \* **Doors and logs can get very hot, handle only when logs are cool.**

## TROUBLESHOOTING

The following is a troubleshooting chart of possible problems:

PROBLEM	CORRECTIVE ACTION
Noisy Pilot Flame	Remove pilot adjuster cap, located next to gas shut off valve. Flame is decreased by turning adjustment screw clockwise.
Pilot won't ignite	Disconnect remote wires and try to light pilot. If pilot now works, remote connections are faulty. Check wiring diagram <b>figure 14</b> .
Main burner will not light	1. Check wiring (see <b>figure 14</b> ) 2. Check wall switch for proper connection.

If your **E34-BV** still does not operate correctly, consult your dealer or the manufacturer.

**All service and repairs should be performed by a qualified agency.**

All spare parts, optional fans (see optional fan instruction guide), and optional trim finishes are available from Canadian Heating Products Inc. or your local dealer.

The **E34-BV** has a ten-year limited warranty on the firebox, a five-year warranty on the main burner, pilot burner, and cultured oak logs; and a one-year warranty on the gas control valve and glass doors.

**E34-BV  
DECORATIVE GAS FIREPLACE  
WARRANTY**

**THE WARRANTY**

The Companies warrants the Montigo E34-BV Gas appliance to be free from defects in materials and workmanship at the time of manufacture. On the Montigo E34-BV, there is a ten-year warranty on the firebox and its components, a five-year warranty on the main burner, pilot burner and a one-year warranty on the gas control valve and glass doors.

**REMEDY AND EXCLUSIONS**

The coverage of this Warranty is limited to all components of the gas appliance manufactured by The Companies.

This Warranty only covers Montigo Gas appliances installed in the United States or Canada.

If the components of the Gas appliance covered by this Warranty are found to be defective within the time frame stated (see The Companies right of investigation outlined below). The Companies will, at its option, replace or repair defective components of the Gas appliance manufactured by The Companies at no charge, and will also pay for reasonable labour costs incurred in replacing or repairing components. If repair or replacement is not commercially practical, The Companies will, at its option, refund the purchase price of the Montigo E34-BV Gas appliance.

This Warranty covers only parts and labour as provided above. In no case shall The Companies be responsible for materials, components, or construction which are not manufactured or supplied by The Companies, or for the labour necessary to install, repair or remove such materials, components or construction. All replacement or repair components will be shipped F.O.B. the nearest The Companies factory.

**QUALIFICATIONS TO THE WARRANTY**

The Gas appliance Warranty outlined above is further subject to the following qualifications:

(1) The Gas appliance must be installed in accordance with The Companies installation instructions and local building codes. The Warranty on this Montigo E34-BV Gas appliance covers only the component parts manufactured by The Companies. The use of components manufactured by others with this Montigo E34-BV Gas appliance could create serious safety hazards, may result in the denial of certification by recognized national safety agencies, and could be in violation of local building codes. This warranty does not cover any damages occurring from the use of any components not manufactured or supplied by The Companies

(2)The Montigo E34-BV Gas appliance must be subjected to normal use. The Gas appliances are designed to burn gas only. Burning conventional fireplace fuels such as wood, coal or any other solid fuel will cause damage to the Gas appliance, will produce excessive temperatures and will result in a fire hazard.

**LIMITATIONS ON LIABILITY**

It is expressly agreed and understood that The Companies sole obligation, and purchaser's exclusive remedy under this Warranty, under any other warranty, expressed or implied, or in contract, tort or otherwise, shall be limited to replacement, repair, or refund, as specified above.

In no event shall The Companies be responsible for any incidental or consequential damages caused by defects in its products, whether such damage occurs or is discovered before or after replacement or repair, and whether or not such damage is caused by The Companies negligence. Some states do not allow the exclusion or limitation of incidental or consequential damages, so the above limitation or exclusion may not apply to you. The duration of any implied warranty with respect to this Montigo E34-BV Wall Furnace is limited to the duration of the foregoing warranty. Some states do not allow limitation on how long an implied warranty lasts, so the above may not apply to you.

**INVESTIGATION OF CLAIMS AGAINST WARRANTY**

The Companies reserves the right to investigate any and all claims against this Warranty and to decide upon method of settlement.

**THE COMPANIES ARE NOT RESPONSIBLE FOR WORK DONE WITHOUT WRITTEN CONSENT**

The Companies shall in no event be responsible for any warranty work done without first obtaining The Companies written consent.

**DEALERS HAVE NO AUTHORITY TO ALTER THIS WARRANTY**

The Companies employees and dealers have no authority to make any warranties nor to authorize any remedies in addition to or inconsistent with those stated above.

**HOW TO REGISTER A CLAIM AGAINST WARRANTY**

In order for any claim under this Warranty to be valid, The Companies must be notified of the claimed defect in writing or by telephone, as soon as reasonably possible after the defect is discovered. Claims against this Warranty in writing should include the date of installation, and a description of the defect.

**OTHER RIGHTS**

This Warranty gives you specific legal rights, and you may also have other rights which vary from state to state.

**NOTE:** *The Companies* as stated above refer to - Canadian Heating Products Inc. and/or Montigo Del Ray Corp.

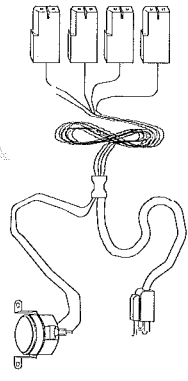
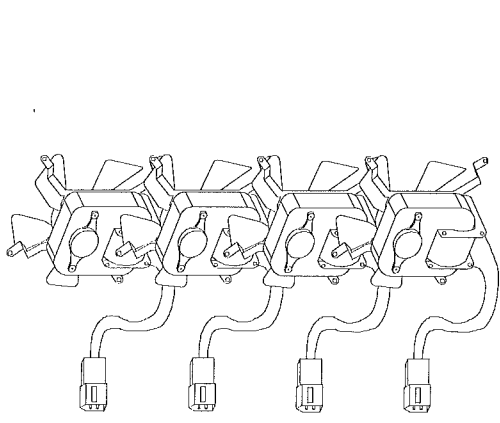
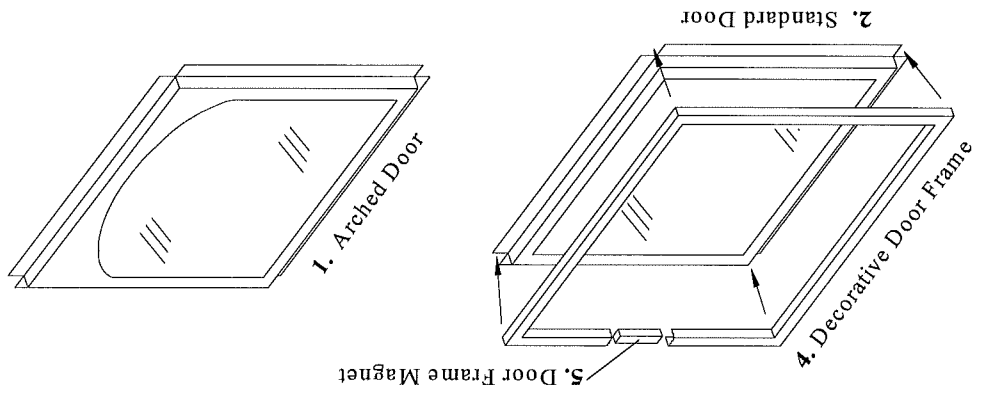
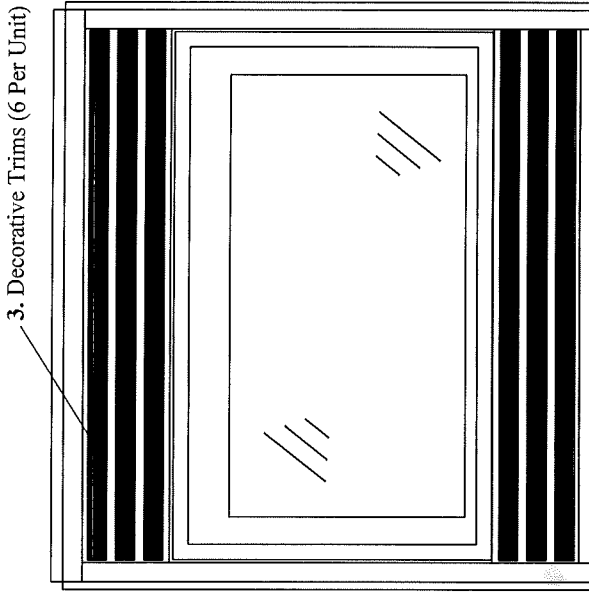
Canadian Heating Products Inc. and/or Montigo DelRay Corp. reserves the right to make changes at any time, without notice, in design, materials, specifications, prices and also to discontinue colors, styles and products.

**CANADIAN HEATING PRODUCTS INC.**  
Surrey, BC V3W 2V6

**MONTIGO DEL RAY CORP.**  
Ferndale, WA 98248

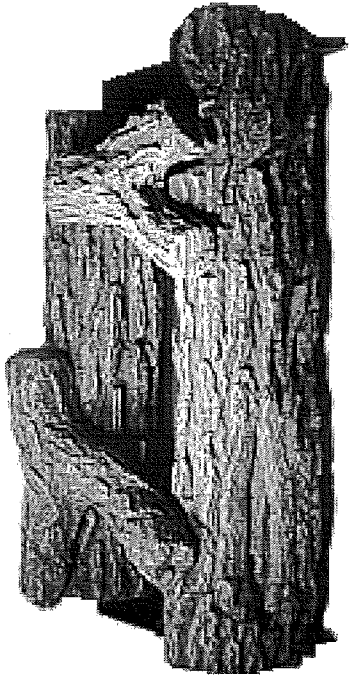
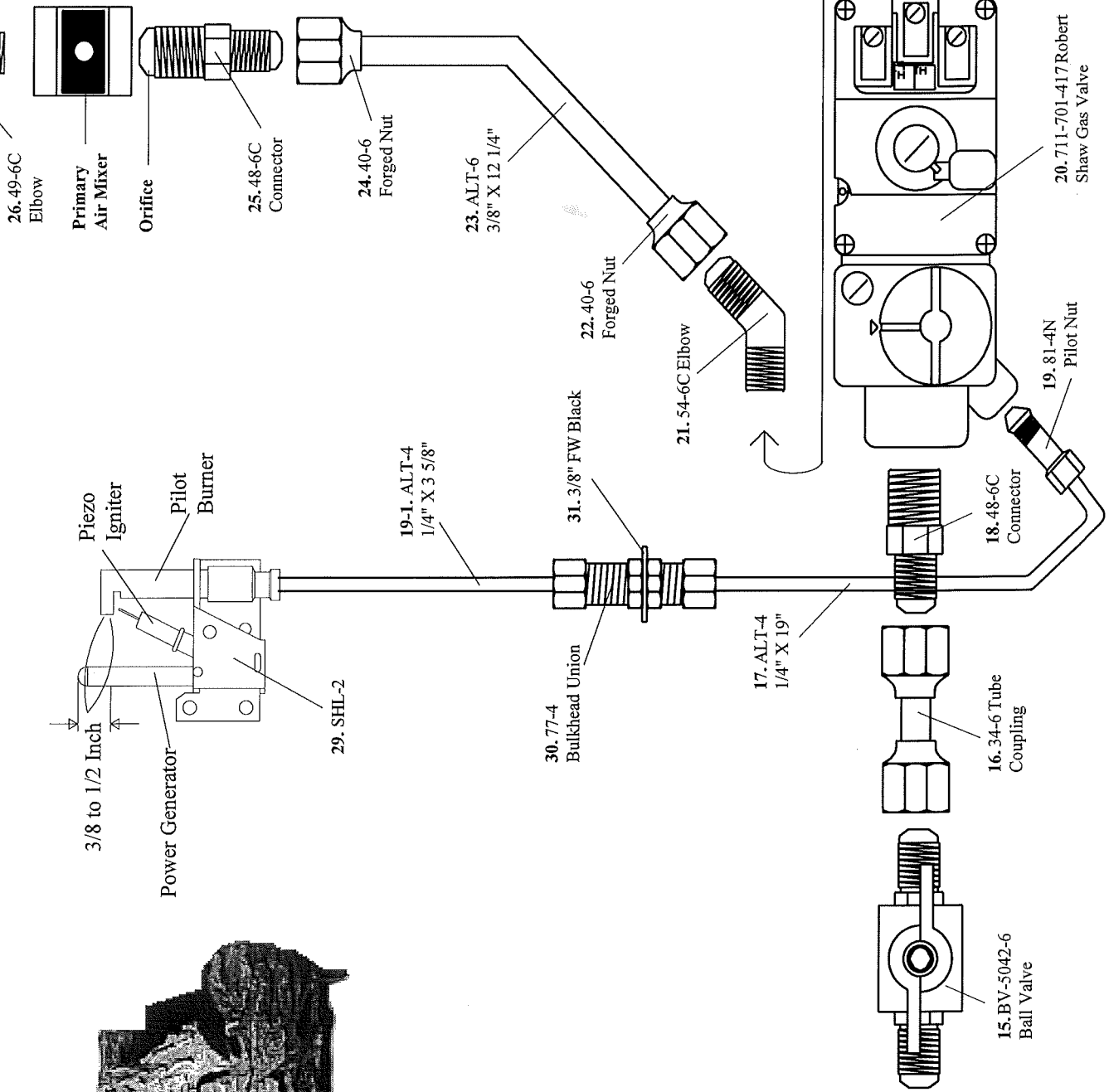
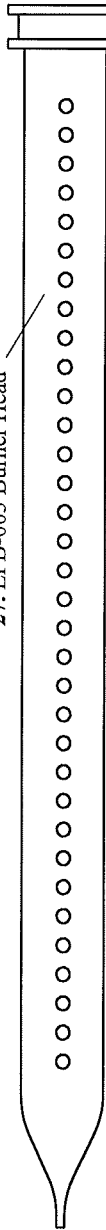


# MONTIGO E34BV SPARE PARTS LIST



PART LIST....
1. Arched Door
2. Standard Door
3. Decorative Trims (6)
4. Decorative Door Frame
5. Decorative Door Magnet
6. Fan Motors (2)
7. Fan Control System

27. EPB-003 Burner Head



32. Log Set

PART LIST....
15. BV-5042-6 Ball Valve
16. 34-6C Tube Coupling
17. ALT-4 Pilot Tube
18. 48-6C Connector
19. 81-4N Pilot Nut
20. 711-701-417 Gas Valve
21. 54-6C Elbow
22. 40-6 Forged Nut
23. ALT-6 Alum. Tube
24. 40-6 Forged Nut
25. 48-6C Connector
26. 49-6C Elbow
27. EPB-003 Burner Head
28. G01A32B1 Power Pile
29. SHL 2
30. 77-4 Bulkhead Union
31. 3/8" FW Black Washer
32. Log Set