

DISCONTINUED ITEM

THIS ITEM HAS BEEN DISCONTINUED AND IS
NO LONGER IN PRODUCTION.

PLEASE CONTACT YOUR LOCAL MONTIGO DEALER
REGARDING MAINTENANCE AND SPARE PARTS AVAILABILITY.

PLUS 26 SERIES

INSTALLING AND OPERATING YOUR *EC-PLUS 26 SERIES* GAS-BURNING FIREPLACE

Please leave this manual with the owner
CHECK LOCAL CODES PRIOR TO INSTALLATION

FOR YOUR SAFETY

IF YOU SMELL GAS:

1. OPEN WINDOWS.
2. DON'T TOUCH ELECTRICAL SWITCHES.
3. EXTINGUISH ANY OPEN FLAME.
4. IMMEDIATELY CALL YOUR GAS SUPPLIER.

FOR YOUR SAFETY:

DO NOT STORE OR USE ANY FLAMMABLE
VAPOURS OR LIQUIDS NEAR THIS OR ANY
OTHER GAS-BURNING APPLIANCE.

READ INSTRUCTIONS CAREFULLY BEFORE INSTALLING

26 SERIES



CANADIAN HEATING PRODUCTS INC.



INTRODUCTION

Congratulations for the purchase of your *EC-Plus 26Series fireplace*. This fireplace has been manufactured to allow the use of five(5) possible burner configurations. **The five models and BTU ratings are shown below:**

- **EC-Plus 26C** - 2 logs - 16,667 BTU/H - natural & propane gas.
- **EC-Plus 26CD** - 4 logs - 16,667 BTU/H - natural & propane gas.
- **EC-Plus 26SCD** - 4 logs - 20,000 BTU/H - natural gas.
- 18,000 BTU/H - propane gas.
- **EC-Plus 26SI** - 4 logs - 18,000 BTU/H - natural gas.
- 16,000 BTU/H - propane gas.
- **NOTE: THE EC-PLUS 26SI IS A CERTIFIED 72% EFFICIENT HEATING APPLIANCE**
- **EC-Plus 26F-2** - 3 logs - 22,000 BTU/H - natural gas only.

The EC-Plus warranty will be voided by, and EC-Plus disclaims any responsibility for, the following actions:

- Modification of the fireplace and/or components including B-vent assembly or glass doors.
- Use of any component part not manufactured or approved by EC-Plus in combination with a EC-Plus fireplace system.
- Installation other than as instructed in this manual.

Consult your local Gas Inspection Branch about the particular requirements concerning installation of factory-built gas fireplaces. **All work should be done by a qualified contractor, and installation must conform with the current Can/CGA B-149.1 and .2 Gas Installation Code and local regulations.**

The fireplace is not intended to be used as a substitute for a furnace to heat an entire home. Use for supplemental heating only.

CAUTIONS

- * Due to its high operating temperatures, the appliance should be located out of traffic & away from furniture and draperies.
- * Children and adults should be alerted to the hazards of the high surface temperature, which could cause burns or clothing ignition.
- * Young children should be carefully supervised when they are in the same room as the appliance.
- * Clothing or other flammable materials should not be placed on or near the appliance.

SELECTING YOUR FIREPLACE LOCATION

The fireplace may be installed in any location that is free of air condition ducts, electrical wiring and plumbing. Safety, as well as efficiency of operation, must be considered when selecting the fireplace location. Try to select a location that does not interfere with room traffic, has adequate ventilation, and offers an accessible pathway for B-Vent installation. The fireplace dimensions are shown below: **NOTE:** These are not framing dimensions (see figure 2 for framing dimensions).

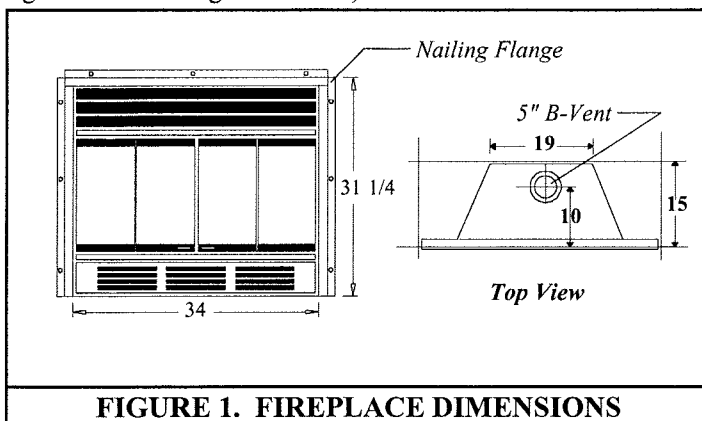


FIGURE 1. FIREPLACE DIMENSIONS

INSTALLING THE FIREPLACE

CLEARANCES TO COMBUSTIBLES:

BACK: "0"; **SIDES:** "1"; **TOP:** 12" (4" TO HEADER)
FLOOR: COMBUSTIBLE **CEILING:** 30"

The *EC-Plus 26 Series* must not be installed any closer than 8 inches to any unprotected combustible wall perpendicular to the fireplace opening.

For the protection against freezing temperatures, it is recommended that the outer walls of the chase be insulated with a vapour barrier. This will reduce the possibility of a cold-air convection current on the fireplace.

THE FRAMING DIMENSIONS ARE SHOWN BELOW:

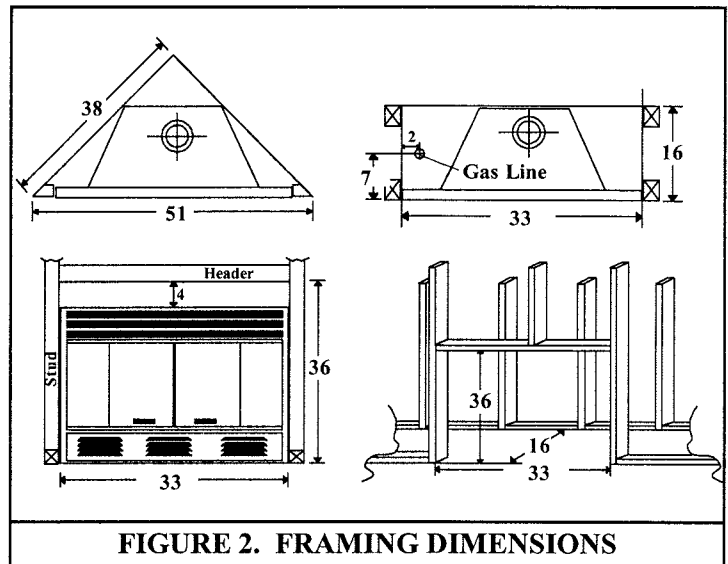


FIGURE 2. FRAMING DIMENSIONS

INSTALLING THE GAS LINE

The gas line must be installed before finishing the *EC-Plus 28 Series Fireplace*. **Natural Gas** requires an inlet pressure of 7" W.C. & a manifold pressure of 3.5" W.C. **Propane Gas** requires an inlet pressure of 11" W.C. & a manifold pressure of 10.5" W.C. It is also required that provisions be made for a 1/8" N.P.T. plugged tapping and be accessible for test gauge connection immediately upstream of the gas supply controls to the appliance. The fireplace gas connection and the main operating gas valve is located behind the removable brass trim at the bottom of the unit and need only be attached to the gas line with an approved fitting, as required by the **CAN/CGA B-149.1 and .2 Gas Installation Code**.

CAUTIONS

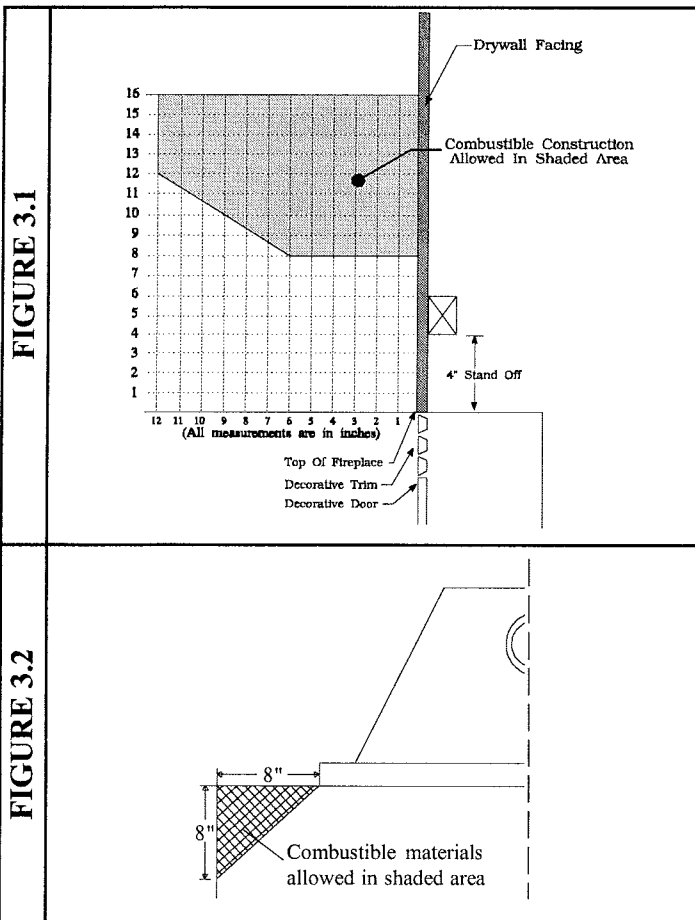
*After gas line is connected, it is a Can/CGA B149. code requirement (Section 8.25.3 (e)) that "each appliance connection, valve, valve train, shall be checked while under normal operating pressure with either a liquid solution, or leak detection device, to locate any source of leak." Tighten any areas where bubbling appears or leak is detected until bubbling stops completely. **DO NOT** use a flame of any kind to test for leaks.

INSTALLING THE REMOTE SWITCH

The *EC-Plus 26 Series* comes with 10 feet of low voltage wire, and is connected to the control valve, located behind the removable grille, at the bottom of the appliance. Refer to Figure 13 on page 7.) The valve is pre-wired and completely self-contained to generate its own power: **DO NOT** connect any external power to it.

FIREPLACE MANTLE AND FACING

Combustible mantles may be safely installed over the top of the fireplace, provided they do not project beyond a line from point A to point B, as illustrated in **Figure 3.1** below. Combustible materials may also be installed next to the sides of the fireplace, provided they do not project beyond the shaded area illustrated in **Figure 3.2**



When selecting the finish material for your fireplace, it is important to remember the following: **GRILLES MUST NOT BE OBSTRUCTED IN ANY WAY; to do so restricts the air supply for the control compartments and also prevents access for servicing controls.**

The face of the fireplace may be painted to match the room decor, provided you use a heat-resistant paint. Decorative facing must not extend past the fireplace opening at all, because it will interfere with the operation of the glass doors.

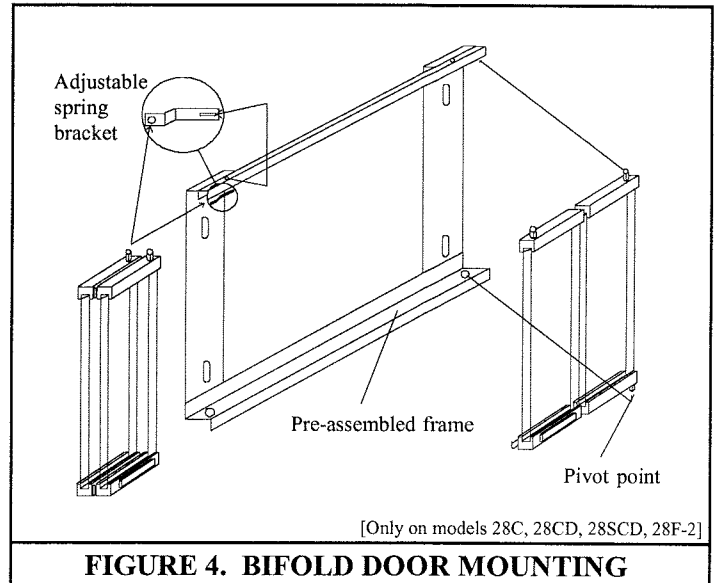
INSTALLATION OF B-VENT

The *EC-Plus 26 Series* requires no appliance connector. Fasten the B-Vent to the L-shaped brackets on each side of the opening with 1/4" sheet metal screws. Do not penetrate the inner sleeve of the B-Vent when tightening the screws. Refer to the current CAN/CGA B-149.1 and .2 Gas Installation Code for specific installation instructions.

06/96

INSTALLATION OF OPTIONAL GLASS DOORS

Standard *EC-Plus 28 C* fireplaces are equipped with firescreens. Available, optional glass doors, *EC-Plus BD 28 Bi-fold* or *EC-Plus TWD 28 Twin Pane* kits are available options, premounted in a black metal frame. The door kits are held to the frame by an adjustable spring bracket at the top corner's of the opening and a pivot point at the bottom of the glass doors. See **Figure 4**.



WARNING

Use only **EC-Plus CGA certified doors with EC-Plus CGA certified appliances.**

Remove the protective sheet from the door before operating appliance. Failure to do so will damage trim finish.

To install the door kit in the *EC-Plus 26 Series*:

- Remove the metal trim from the bottom border of the fireplace opening by removing the three screws on the top edge of the trim
- Remove the doors from the frame. Each door is opened by pulling the handle outward in a rotating motion so the door folds at the outer edge. Then hold the spring bracket flush against the top rail, slide the top of the glass door over spring bracket towards middle of opening and lift pivot point from bottom rail. **HANDLE THE DOORS GENTLY: DO NOT SCRATCH THE BRASS TRIM.**
- Set the frame in the fireplace opening with lower frame lip resting onto the bottom of fireplace opening. The top edge of the frame should then be adjusted to parallel the brass trim and fastened.
- Fasten the frame by inserting the 4 screws into the pre-drilled slots of the glass door frame. (Use these slots if necessary to align and pre-drill a small starter hole into the fireplace before installing screws.) To avoid stripping do not over tighten screws.
- Remount the doors. If the doors are not aligned evenly when they close, the brackets should be adjusted to "square" the doors. Any of the brackets can be reposition by slightly

INSTALLATION OF DECORATIVE BURNERS

STEP 1. Remove bottom grille. **IMPORTANT:** Turn off gas supply to the fireplace.

STEP 2A. Without Doors

Standard Econo Plus 28 C fireplaces are equipped with firescreens. If doors are not present you must remove the three screws holding the front bar in place. See figure 5.

STEP 2B. With Doors

Optional glass doors, Econo Plus BD28 Bi-fold or Econo Plus TWD28 Twin Pane kits are available options, pre-mounted in a black metal frame. You must remove the doors before installing new burner. Remove the doors from the frame by simply pushing up on the spring bracket and removing doors. See figure 4. Remove door frame by simply removing the four screws that hold the frame into place.

STEP 3. Disconnect the gas supply line from the fireplace.

STEP 4. Remove the two screws located at bottom rear of burner pan. Lift complete burner assembly, up and out of unit to clear support ledge. See figure 6.

STEP 5. Replace with alternate burner by reversing step 4. Be sure to re-install the two screws at the bottom rear of burner pan to secure pan into place.

STEP 6. Re-install door frame or front bar by reversing step 2. Make sure frame is secured into place with the four screws or front bar with three screws.

STEP 7. Reconnect gas line.

STEP 8. Turn on gas supply and leak test the connection.

***After gas line is connected, it is a CAN/CGA B149. code requirement (Section 8.25.3 (e)) that "each appliance connection, valve, valve train, shall be checked while under normal operating pressure with either a liquid solution, or leak detection device, to locate any source of leak." Tighten any areas where bubbling appears or leak is detected until bubbling stops completely. DO NOT use a flame of any kind to test for leaks.**

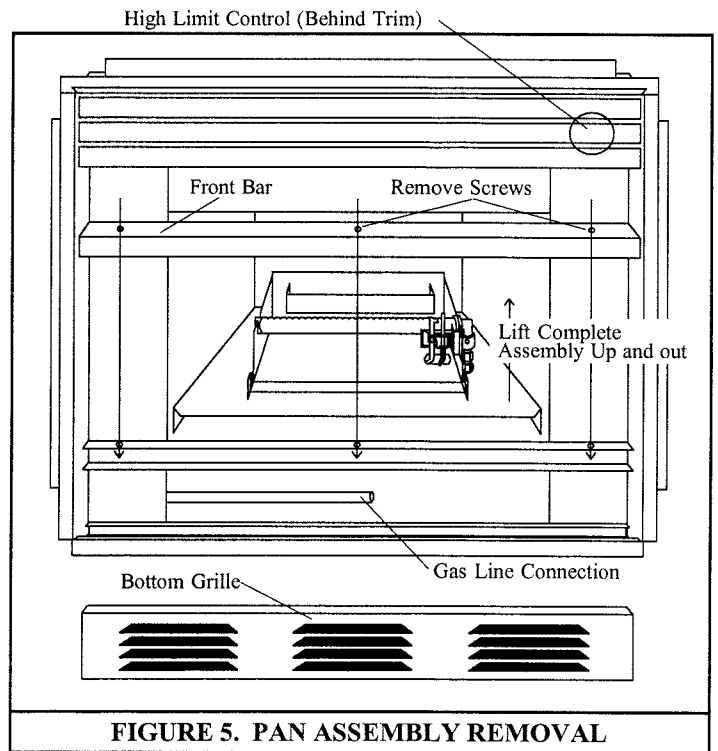


FIGURE 5. PAN ASSEMBLY REMOVAL

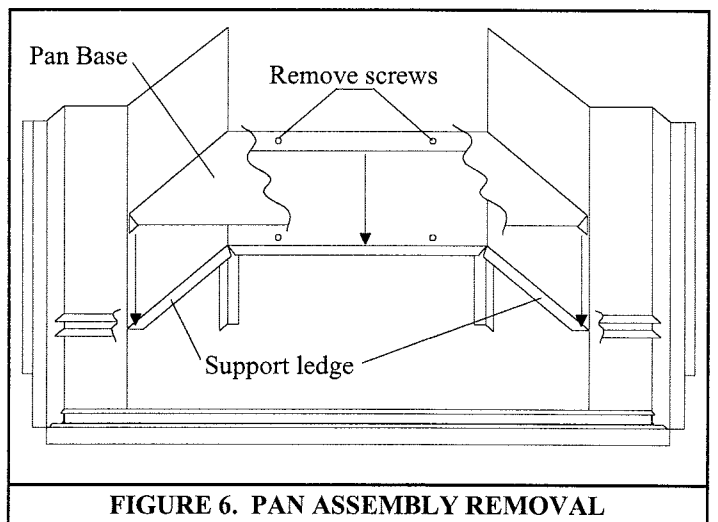


FIGURE 6. PAN ASSEMBLY REMOVAL

NOTE:

A high limit control is supplied with each unit. This must be wired in the Wall Switch, Gas Valve circuit. (See Figure 13 for Schematic Diagram.)

INSTALLING 28SI HEATING INSERT

The EC-Plus 28SI has an output rating of 12,780 for Natural Gas and 11,520 for Propane Gas which gives the EC-Plus 28SI an efficiency rating of 72% for both gases. Although the 28C, 28CD, 28SCD and 28F-2 are all decorative optional burners the 28SI is actually an Efficient Heating Insert designed to be used in conjunction with a millivolt thermostat to keep your living environment warm and comfortable.

STEP1. Complete STEP 1 through 4 on page 2.

STEP2. Place the fan and mount so that the fan sits on the support ledge and is flush to the back wall of the fireplace. Attach with 2 sheet metal screws through the pilot holes provided. (See figure 7.)

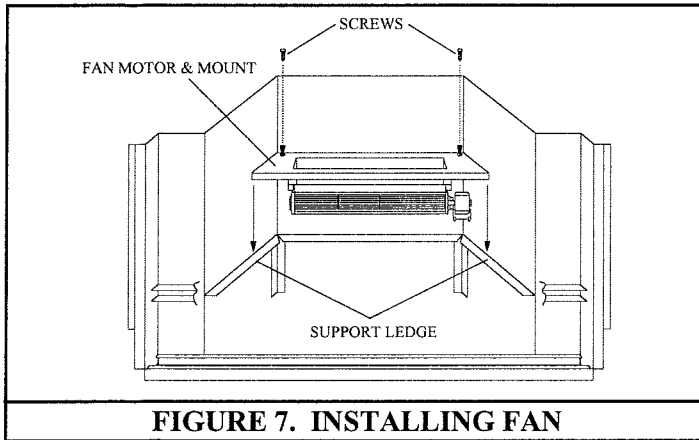


FIGURE 7. INSTALLING FAN

STEP3. Remove baffle #1 by removing the bolts holding it in place. Remove baffle #2 by lifting it up past the clip holding it in place. (See figure 8.)

STEP4. Insert efficiency collar into flue collar and let it rest in position until the insert is installed. The opening in the efficiency collar must be facing toward the opening of the fireplace. After the insert is installed (described later) you must drop the efficiency collar so that it will rest on the top of the insert. (See figure 8.)

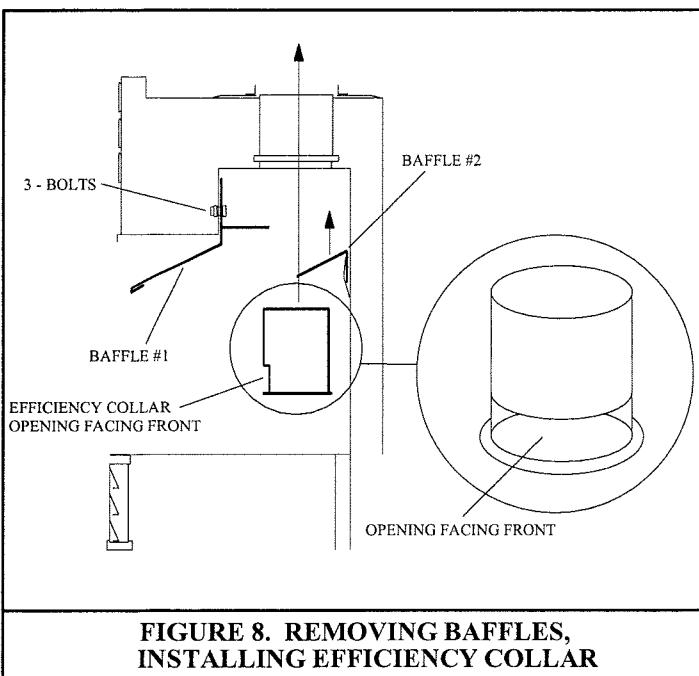


FIGURE 8. REMOVING BAFFLES, INSTALLING EFFICIENCY COLLAR

STEP5. Slide the insert into the firebox so that it will sit on the support ledge flush to the back wall of the fireplace. Secure with four screws into the pilot holes provided. (See figure 9).

STEP6. Drop the burner & controls into the square opening in the insert. Secure with 4 screws into the pilot holes provided. (See figure 9).

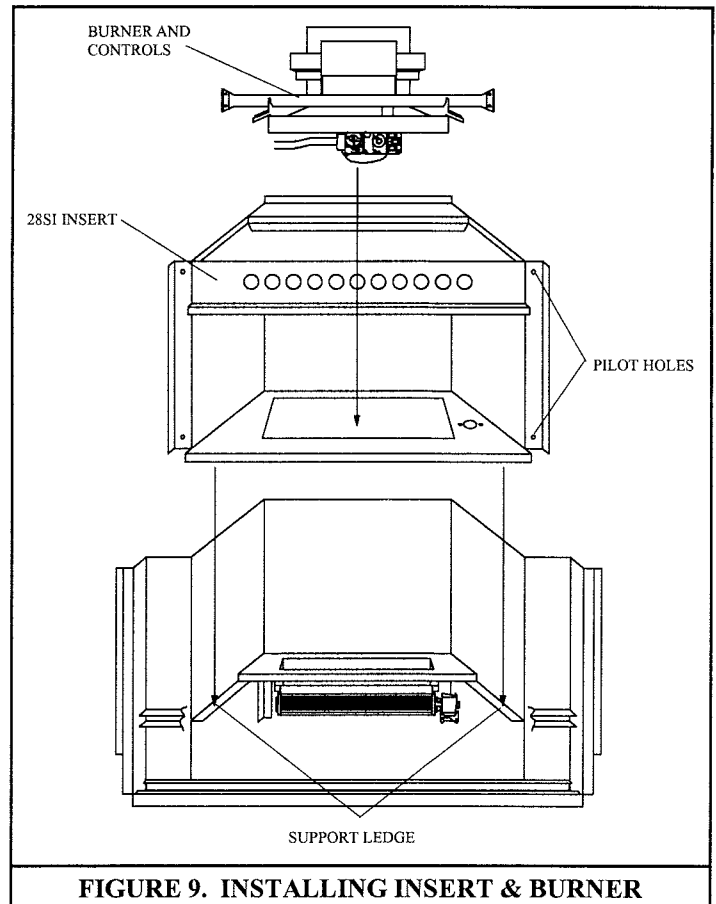


FIGURE 9. INSTALLING INSERT & BURNER

STEP7. Install control box for fan from underneath pan base. Attach with 2 screws as shown in Figure 10. Connect quick connector from control box to the quick connector from the fan.

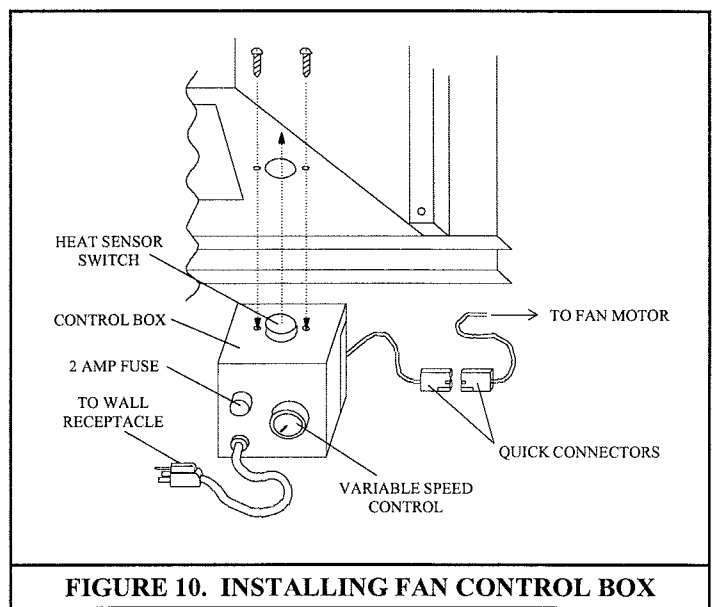
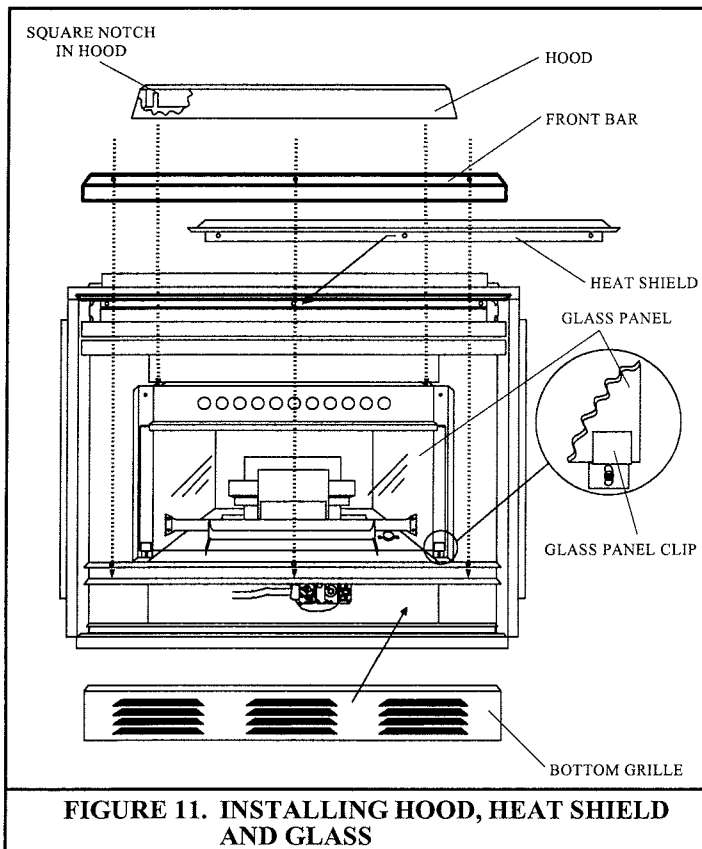


FIGURE 10. INSTALLING FAN CONTROL BOX

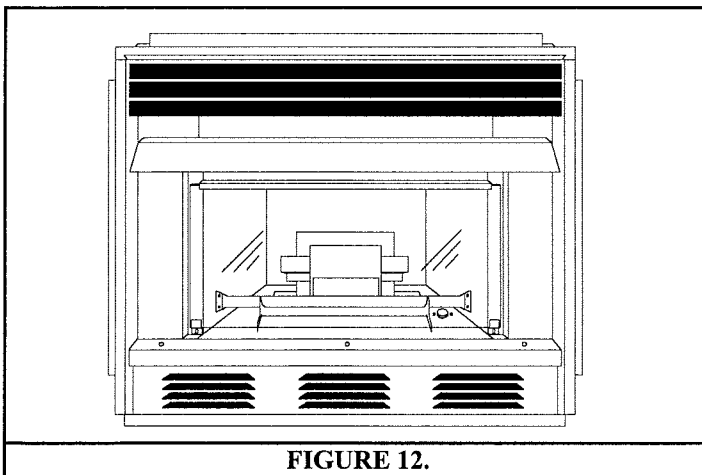
STEP 8. Install heat shield flush to the top of the fireplace, behind the top brass trim. Secure in place with 3 sheet metal screws. (See figure 11).

STEP 9. Install the glass panel by inserting the top edge of the glass into the lip below the heat exchanger tubes and pushing up as high as it will go. Attach the the 2 glass clips with screws into pre-tapped holes as shown in figure 11 (do not over tighten). Make sure the glass panel is held firmly in place.

STEP 10. Re-install front bar with 3 sheet metal screws. Re-install bottom grille. (See figure 11).



STEP 11. Install the hood by dropping hood onto the top of the insert and aligning square notches to top the top edge (see figure 11). The hood will simply rest in place and does not require any screws. (See figure 12).



STEP 12. Re-install all horizontal trims, (See STEP 2B). Make sure efficiency collar is sitting on top of the insert and the opening is facing the front.

STEP 13. Connect gas line and leak test with a soap solution.

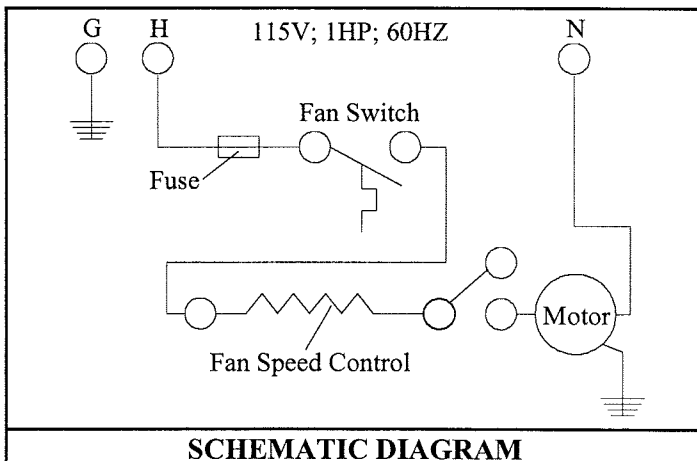
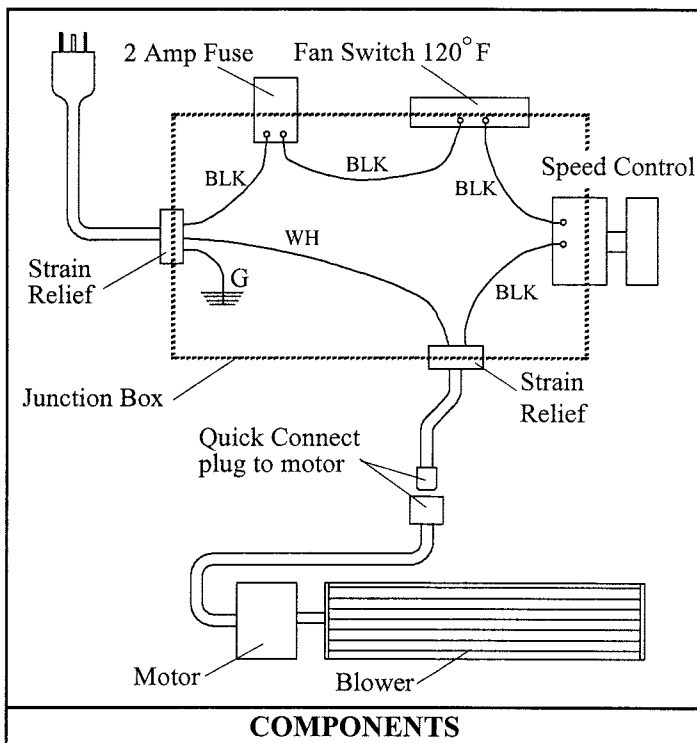
OPERATING THE FAN

The fan is only available on model EC-Plus 28SI.

The Circulating fan has been designed to increase the efficiency of convection heat by providing a very quiet air flow over the combustion chamber of the fireplace and discharging heated air into your living space. The fan speed can be controlled by turning the black knob (located on the right hand side of control compartment.) clockwise to slow fan down and counterclockwise to speed fan up. There is a built in automatic heat control that will activate when the fireplace has heated up and will prevent the fan from operating when the fireplace is cold.

SERVICING THE FAN

- All electrical work must comply with all municipal and local requirements and to CSA 2.22 electrical code requirements.
- We strongly recommend that all electrical service work be preformed by a qualified electrical contractor.
- To service the fan the insert must be removed. Reverse steps 1 through 11. Remove the fan motor and return to your dealer/distributor for replacement.



LIGHTING PILOT AND MAIN BURNER

The gas control valve is located behind the grille in the centre of the fireplace (see Figure 13 below). Before lighting the pilot, make sure that the gas line is connected and the gas shut-off valve is turned to the ON position.

To light the pilot we recommend the use of a long match. NOTE: For models 28CD & 28SCD we recommend removal of the front log before lighting pilot.

- Partially depress and turn dial on gas control valve to "OFF" position and wait 5 minutes.
- Turn dial to pilot position, depress dial and light pilot burner, with a match (use piezo igniter button beside the gas valve for model 28SI), and hold for one(1) minute, then release. If pilot does not remain ignited, repeat, allowing a longer time to elapse before releasing dial.
- To light the main burner, turn dial to "ON", then turn on remote switch.
- Turn off flame with remote switch. For complete shut down, slightly depress gas control valve dial and turn to "OFF" position.

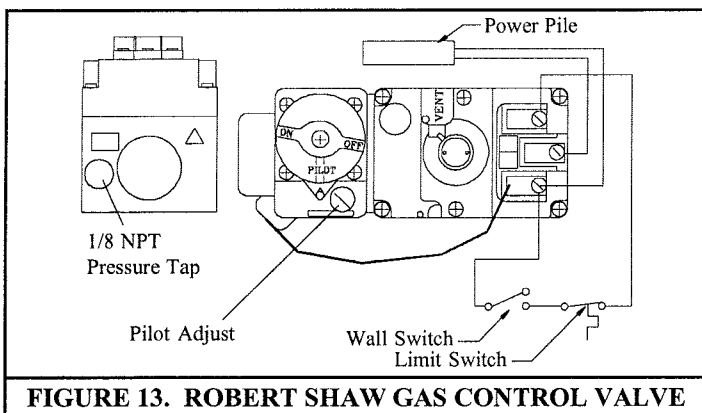


FIGURE 13. ROBERT SHAW GAS CONTROL VALVE

PILOT BURNER ADJUSTMENT

- Remove Pilot Adjustment Cap. (see figure 13)
- Adjust pilot key to provide properly sized flame. See Figure 14 for properly sized flame.
- Replace pilot adjustment cap.
- Leak test with a soap solution after installing or servicing with main burner on. Coat pipe and tubing joints, gasket etc. with soap solution. Bubbles indicate leaks. Tighten any areas where the bubbles appear until the bubbling stops completely.

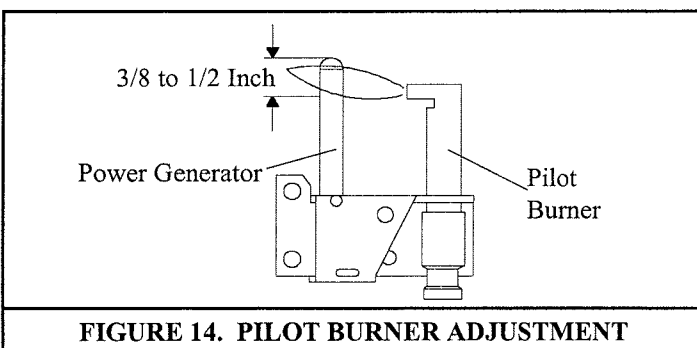


FIGURE 14. PILOT BURNER ADJUSTMENT

MAINTENANCE

Have the fireplace installation inspected yearly, including a visual check of the vent system, the burner and the pilot flame. For your convenience a 1/8" pressure tap is supplied on the gas valve for a test gauge connection. See Figure 6. This appliance requires a minimum gas pressure of 7" W.C. for natural gas and 11" W.C. for propane. Always keep the fireplace area clear and free of combustible materials, as well as gasoline and other flammable vapours and liquids. Use a vacuum cleaner or whisk broom to keep the control compartment, burner, and firebox free from dust and lint. Logs maybe cleaned periodically with soap and water to remove soot and other contamination.

SERVICE PERSON

The appliance should be inspected before use; more frequent cleaning may be required due to excessive lint from carpeting, bedding material, etc.; it is imperative that control compartments, burners, & circulating air passageways of the appliance be kept clean.

CAUTIONS

- * Fireplace gas control must be in the "OFF" position and pilot and main burners extinguished when cleaning appliance with a vacuum.
- * Logs can get very hot, handle only when logs are cool.

The following is a troubleshooting chart of possible problems:

PROBLEM	CORRECTIVE ACTION
Noisy Pilot Flame	Turn pilot adjuster screw, located next to gas shut off valve. Flame is decreased by turning screw clock wise
Pilot Won't Ignite	Disconnect remote wires and try to light pilot. If pilot now works, remote connections are faulty. If pilot still won't ignite, problem is in the control valve area, probably a faulty wire connection.
Flame Cycles Off and On	High limit switch is activating. Vents Blocked: Clear flue passage. Severe Down Draft: Check combustion air supply source of energy causing negative condition within the home

If your *EC-Plus 28 Series* still does not operate correctly, consult your dealer or the manufacturer.

All service and repairs should be performed by a qualified agency.

All spare parts are available from Canadian Heating Products Inc. or your local dealer.

The *EC-Plus 28 Series* has a ten-year unlimited warranty on the firebox, a five-year warranty on the main burner, pilot burner and cultured oak logs. Also a one-year warranty on the gas control valve, and a 90 day warranty on the bifold glass doors.

ALTERNATE INSTRUCTIONS FOR LIGHTING PILOT AND MAIN BURNER

The gas control valve is located behind the grille in the centre of the fireplace (see Figure 15 below). Before lighting the pilot, make sure that the gas line is connected and the gas shut-off valve is turned to the ON position.

To light the pilot we recommend the use of a long match. NOTE: For models 26C, 26CD & 26SCD we recommend removal of the front log before lighting pilot.

- a) Partially depress and turn dial on gas control valve to "OFF" position and wait 5 minutes.
- b) Turn dial to pilot position, depress dial and light pilot burner, with a match (use **piezo igniter button beside the gas valve for model 26SI**), and hold for one(1) minute, then release. If pilot does not remain ignited, repeat, allowing a longer time to elapse before releasing dial.
- d) To light the main burner, turn dial to "ON", then turn on remote switch.
- e) Turn off flame with remote switch. For complete shut down, slightly depress gas control valve dial and turn to "OFF" position.

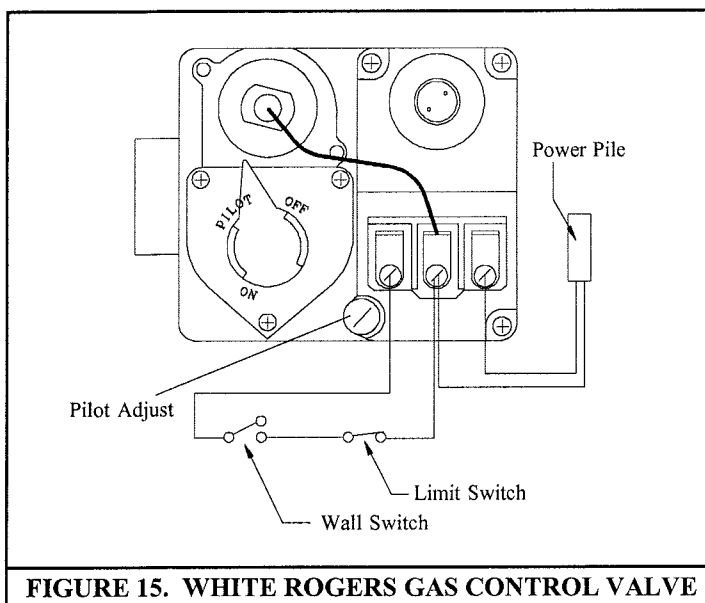
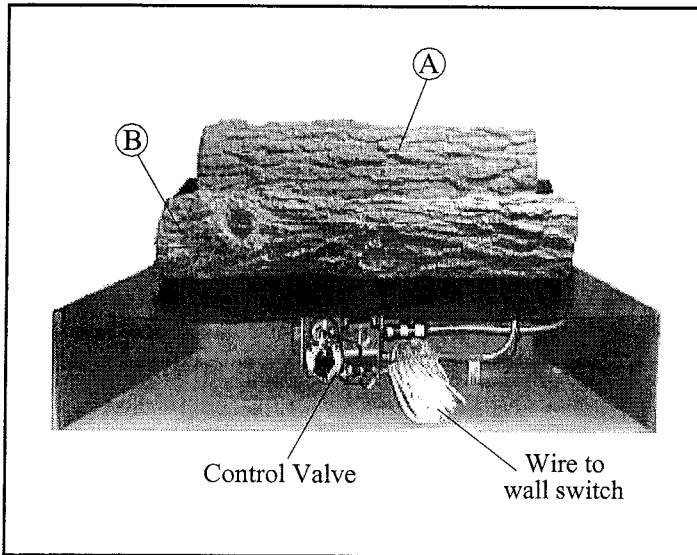


FIGURE 15. WHITE ROGERS GAS CONTROL VALVE

INSTALLING 26C LOG SET

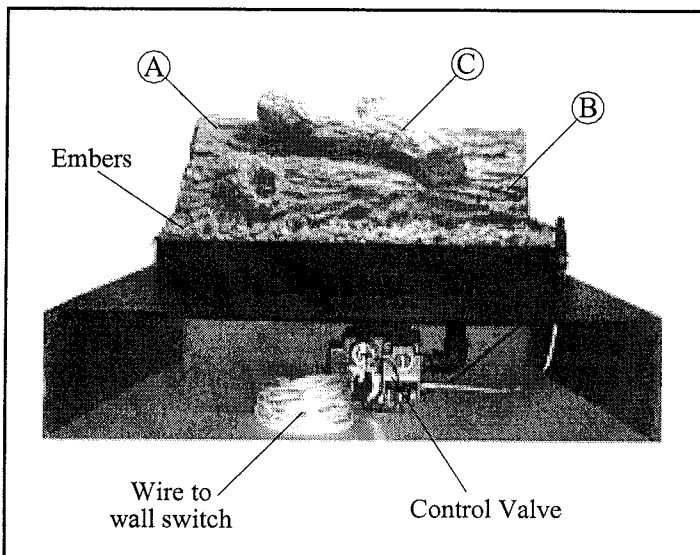
The 26C Burner Assembly is supplied with two(2) very attractive cultured oak logs. To install simply place log "A's" rectangular shaped extension into the log mounting slot located on rear wall of the burner assembly. Place log "B" onto front log slots as shown below.



INSTALLING 26F-2 LOGS

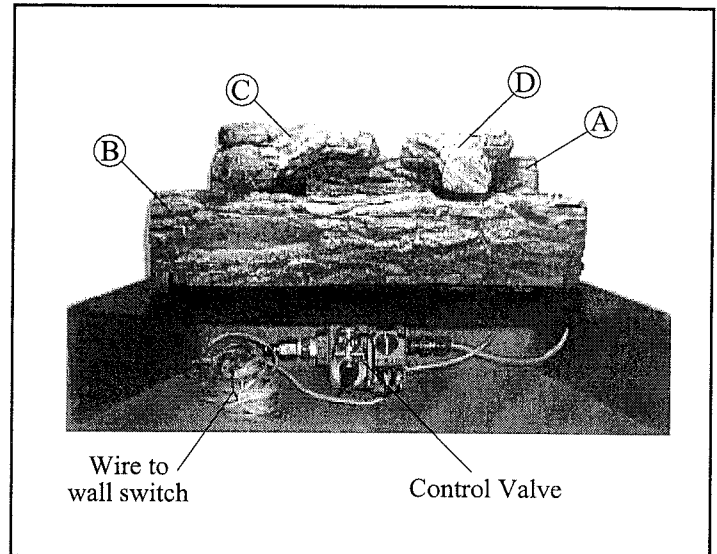
B.C. APPROVED ONLY

26F-2 Burner Assembly is supplied with three(3) cultured oak logs, sand and embers to help create an attractive and realistic fire. To install simply add the white silica sand until burner tray is filled to the top; an inadequate amount of sand may cause excessive sooting. Place the large, flat surface of the larger log "A" against back wall of fireplace with the rectangular-shaped extension of the log facing down. The rectangular-shaped extension of log "A" should fit behind log stop, located on the back of the pan. Place the other smaller log "B" on the sand in the middle of the pan (approx. 2" from front of pan to front of log). Be sure to place log "B" in the upright position, with the smooth flat surface on the sand and the larger flat surface facing the back wall of the fireplace. Place log "C" on top of log "A" and "B" as shown below. Sprinkle embers on all exposed areas of sand, particularly in front of the smaller log.



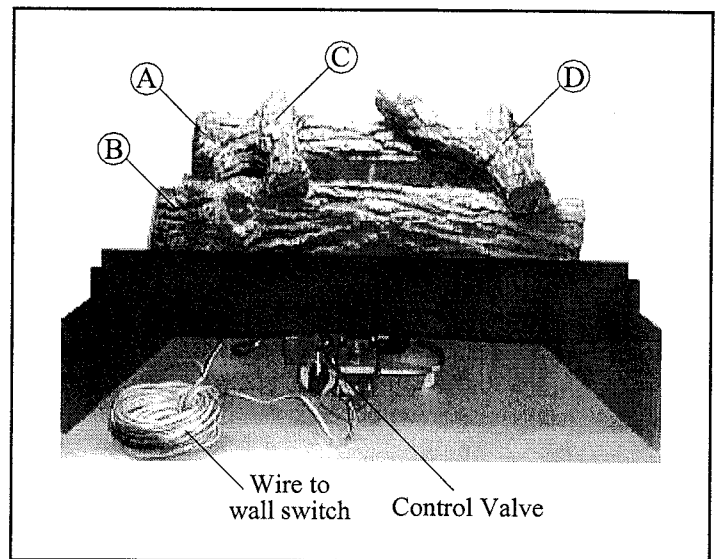
INSTALLING 26CD LOG SET

The 26CD Burner Assembly is supplied with four(4) very attractive cultured oak logs. To install simply place log "A's" rectangular shaped extension into the log mounting slot located on rear wall of the burner assembly. Place log "B" onto front log slots. Place log "C" and log "D" onto pins on the burner bar as shown below.

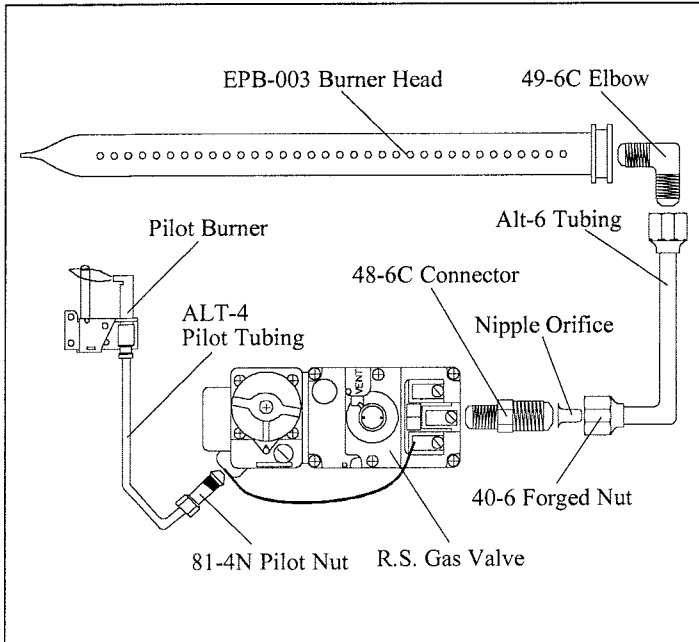


INSTALLING 26SCD & 26SI INSERT LOGS

26SCD Burner Assemblies are supplied with four(4) very attractive cultured oak logs. To install simply place log "A's" rectangular shaped extension into the log rest located on rear wall of the burner assembly. Place the slot of log "B" over the pilot runner bar located on the left hand front side of the burner assembly. Next place logs "C" and "D" onto mating positions of logs "A" and "B", as shown below.

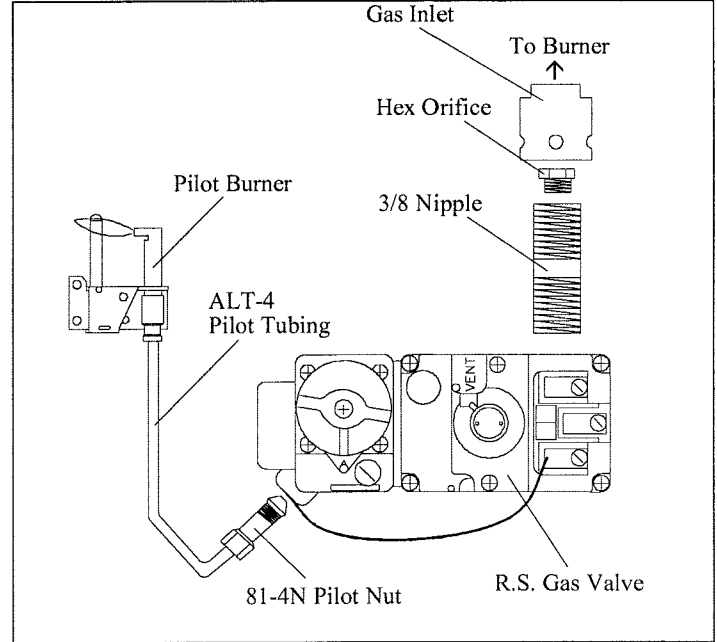


EC-PLUS 26 SERIES CONTROLS & RATINGS



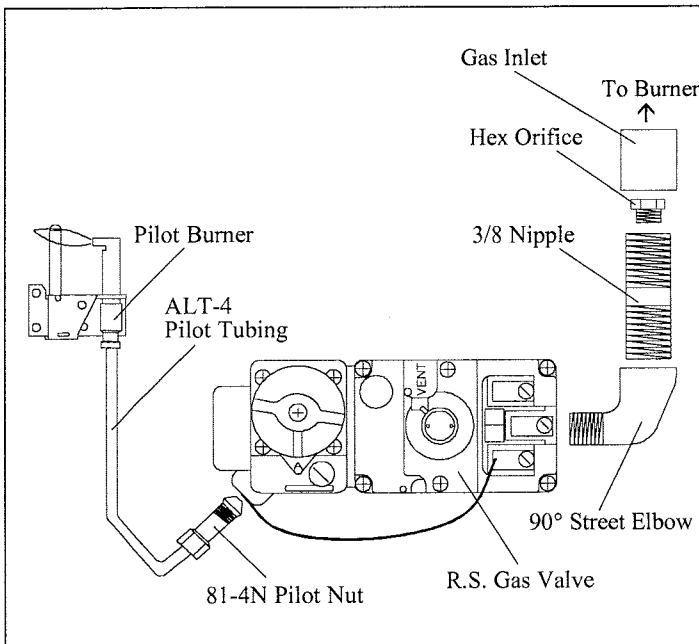
EC-Plus26C and EC-Plus26CD

Gas	Input	Output	Orifice	Primary Air
Natural	16,667	N/A	# 46	N/A
Propane	16,667	N/A	# 57	3/8



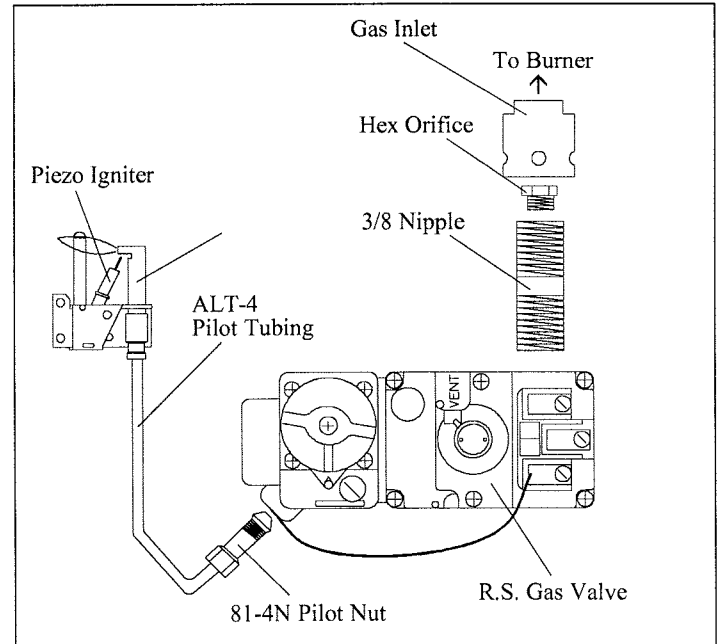
EC-Plus26SCD

Gas	Input	Output	Orifice	Primary Air
Natural	20,000	N/A	# 44	11/64 (4)
Propane	18,000	N/A	# 56	5/16 (4)



EC-Plus26F-2

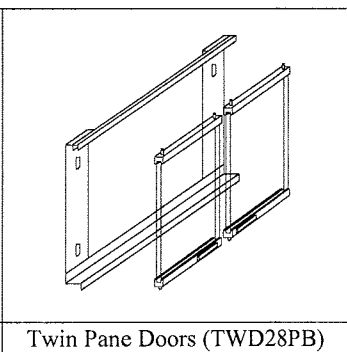
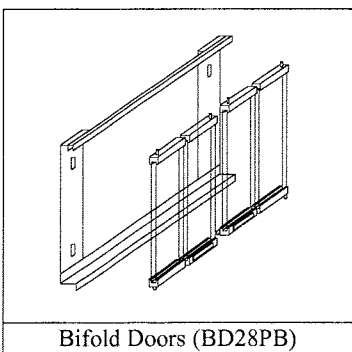
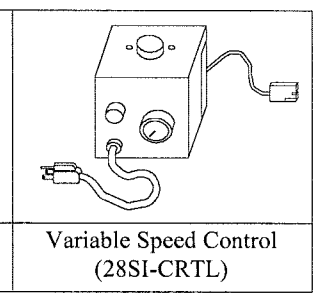
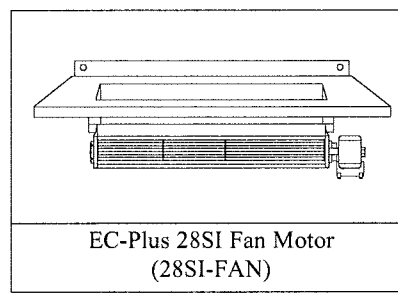
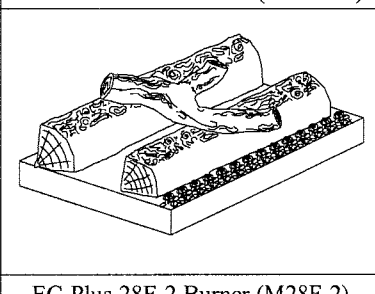
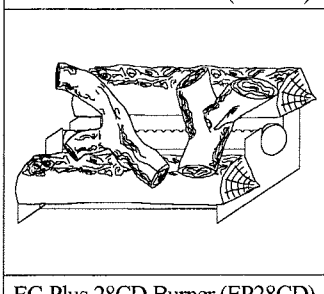
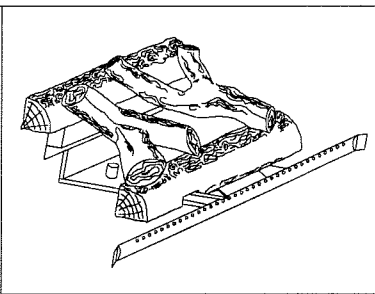
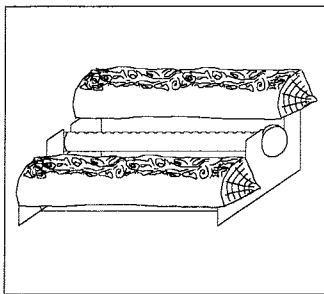
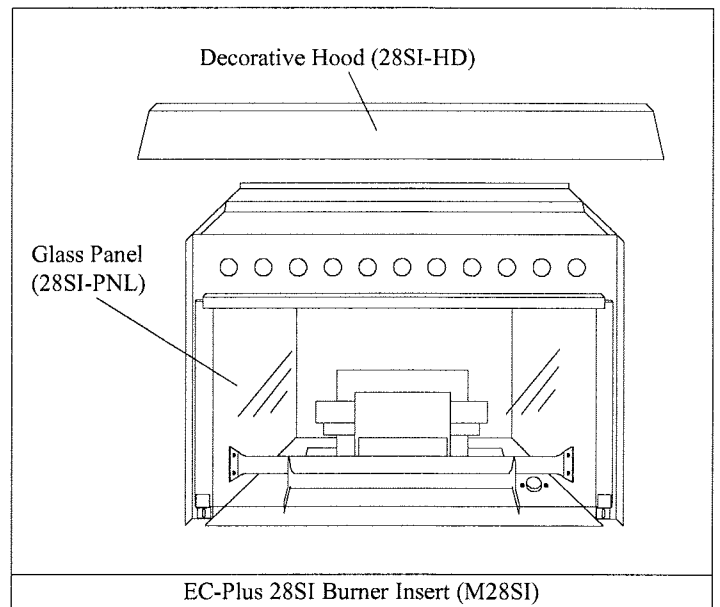
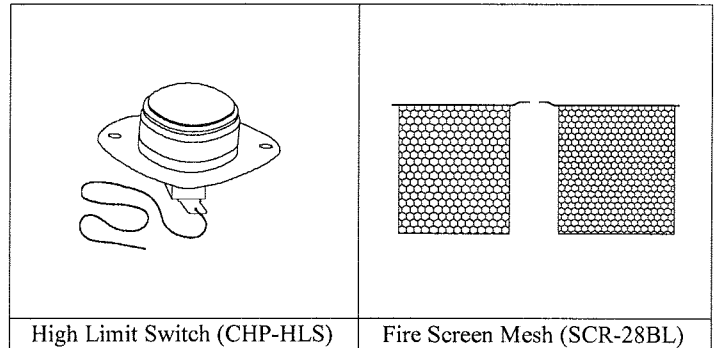
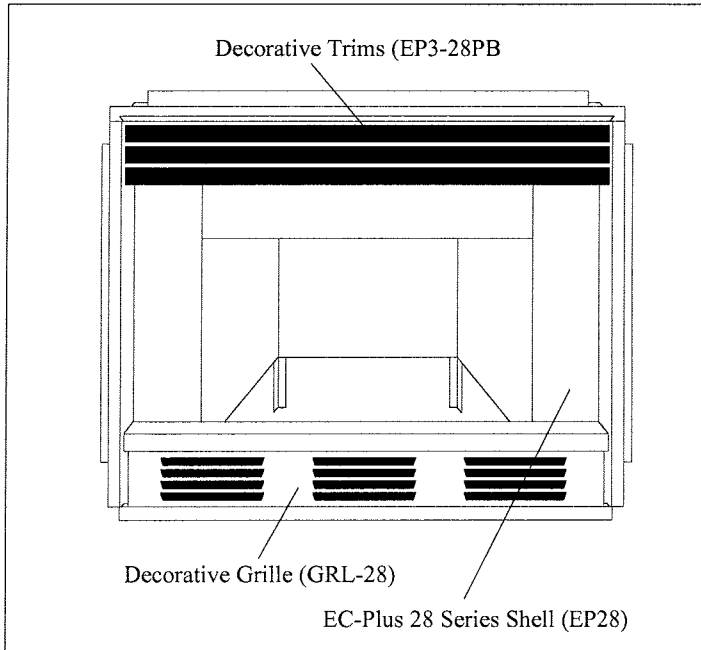
Gas	Input	Output	Orifice	Primary Air
Natural	22,000	N/A	# 45	N/A
N/A	N/A	N/A	N/A	N/A



EC-Plus26SI

Gas	Input	Output	Orifice	Primary Air
Natural	18,000	12,780	# 46	11/64 (4)
Propane	16,000	11,520	# 57	5/16 (4)

EC-PLUS 26 SERIES REPLACEMENT PARTS



**26 SERIES
GAS FIREPLACE WARRANTY**

THE WARRANTY

The Companies warrants the Montigo Gas Appliance to be free from defects in materials and workmanship at the time of manufacture. On the Montigo, there is a ten-year warranty on the firebox and its components, a five-year warranty on the main burner, pilot burner and a one-year warranty on the gas control valve and glass doors.

REMEDY AND EXCLUSIONS

The coverage of this Warranty is limited to all components of the Gas Appliance manufactured by The Companies.

This Warranty only covers Montigo Gas Appliances installed in the United States or Canada.

If the components of the Gas Appliance covered by this Warranty are found to be defective within the time frame stated (see The Companies right of investigation outlined below). The Companies will, at its option, replace or repair defective components of the Gas Appliance manufactured by The Companies at no charge, and will also pay for reasonable labour costs incurred in replacing or repairing components. If repair or replacement is not commercially practical, The Companies will, at its option, refund the purchase price of the Montigo Gas Appliance.

This Warranty covers only parts and labour as provided above. In no case shall The Companies be responsible for materials, components, or construction which are not manufactured or supplied by The Companies, or for the labour necessary to install, repair or remove such materials, components or construction. All replacement or repair components will be shipped F.O.B. the nearest The Companies factory.

QUALIFICATIONS TO THE WARRANTY

The Gas Appliance Warranty outlined above is further subject to the following qualifications:

(1) The Gas Appliance must be installed in accordance with The Companies installation instructions and local building codes. The Warranty on this Montigo Gas Appliance covers only the component parts manufactured by The Companies. The use of components manufactured by others with this Montigo Gas Appliance could create serious safety hazards, may result in the denial of certification by recognized national safety agencies, and could be in violation of local building codes. This warranty does not cover any damages occurring from the use of any components not manufactured or supplied by The Companies

(2) The Montigo Gas Appliance must be subjected to normal use. The Gas Appliances are designed to burn gas only. Burning conventional fireplace fuels such as wood, coal or any other solid fuel will cause damage to the Gas Appliance, will produce excessive temperatures and will result in a fire hazard.

LIMITATIONS ON LIABILITY

It is expressly agreed and understood that The Companies sole obligation, and purchaser's exclusive remedy under this Warranty, under any other warranty, expressed or implied, or in contract, tort or otherwise, shall be limited to replacement, repair, or refund, as specified above.

In no event shall The Companies be responsible for any incidental or consequential damages caused by defects in its products, whether such damage occurs or is discovered before or after replacement or repair, and whether or not such damage is caused by The Companies negligence. Some states do not allow the exclusion or limitation of incidental or consequential damages, so the above limitation or exclusion may not apply to you. The duration of any implied warranty with respect to this Montigo Gas Appliance is limited to the duration of the foregoing warranty. Some states do not allow limitation on how long an implied warranty lasts, so the above may not apply to you.

INVESTIGATION OF CLAIMS AGAINST WARRANTY

The Companies reserves the right to investigate any and all claims against this Warranty and to decide upon method of settlement.

THE COMPANIES ARE NOT RESPONSIBLE FOR WORK DONE WITHOUT WRITTEN CONSENT

The Companies shall in no event be responsible for any warranty work done without first obtaining The Companies written consent.

DEALERS HAVE NO AUTHORITY TO ALTER THIS WARRANTY

The Companies employees and dealers have no authority to make any warranties nor to authorize any remedies in addition to or inconsistent with those stated above.

HOW TO REGISTER A CLAIM AGAINST WARRANTY

In order for any claim under this Warranty to be valid, The Companies must be notified of the claimed defect in writing or by telephone, as soon as reasonably possible after the defect is discovered. Claims against this Warranty in writing should include the date of installation, and a description of the defect.

OTHER RIGHTS

This Warranty gives you specific legal rights, and you may also have other rights which vary from state to state.

NOTE: The Companies as stated above refer to - Canadian Heating Products Inc. and/or Montigo Del Ray Corp.

Canadian Heating Products Inc. and/or Montigo DelRay Corp. reserves the right to make changes at any time, without notice, in design, materials, specifications, prices and also to discontinue colors, styles and products.



MONTIGO DEL RAY CORP.



CANADIAN HEATING PRODUCTS INC.