

DISCONTINUED ITEM

THIS ITEM HAS BEEN DISCONTINUED AND IS
NO LONGER IN PRODUCTION.
PLEASE CONTACT YOUR LOCAL MONTIGO DEALER
REGARDING MAINTENANCE AND SPARE PARTS AVAILABILITY.

MONTIGO M36PFC

INSTALLING AND OPERATING YOUR MONTIGO GAS-BURNING FIREPLACE

Please leave this manual with the owner
CHECK LOCAL CODES PRIOR TO INSTALLATION

FOR YOUR SAFETY

WHAT TO DO IF YOU SMELL GAS:

- Do not try to light any appliance.
- Do not touch any electrical switch; do not use any phone in your building.
- Immediately call your gas supplier from a neighbor's phone. Follow the gas supplier's instructions.
- If you cannot reach your gas supplier, call the fire department.

FOR YOUR SAFETY:

Do not store or use gasoline or other flammable vapors and liquids in the vicinity of this or any other appliance.

WARNING:

Improper installation, adjustment, alteration, service or maintenance can cause injury or property damage. Refer to this manual. For assistance or additional information consult a qualified installer, service agency or the gas supplier.

READ INSTRUCTIONS CAREFULLY BEFORE INSTALLING MODEL



MONTIGO 36PFC



M36PFC - STANDING PILOT

M36PFC-I - INTERMITTENT PILOT

Canadian Heating Products Inc.

Surrey, BC V3W 2V6

Montigo Del Ray Corp.

Ferndale, WA 98248

INTRODUCTION

Congratulations, you are now the proud owner of the very attractive **Montigo 36PFC(I)** fireplace. Please read all of the installation instructions carefully to assure that your new fireplace will give you all the comfort and enjoyment you expect. The **Montigo 36PFC(I)** is a vented appliance and must be installed to a vented system. Consult your local Gas Inspection Branches for specifics.

The **Montigo 36PFC** is rated at **40,000 BTUH (11.7 KW)** for Natural Gas, **40,000 BTUH (11.7 KW)** for Propane and is a standing pilot model.

The **Montigo 36PFC-I** has an automatic pilot ignition system. **DO NOT ATTEMPT TO LIGHT MANUALLY.**

The Montigo warranty will be voided by, and **Montigo** disclaims any responsibility for, the following actions:

- Modification of the fireplace and/or components including B-vent assembly or glass doors.
- Use of any component part not manufactured or approved by Montigo in combination with a Montigo fireplace system.
- Installation other than as instructed in this manual.

Consult your local Gas Inspection Branch about the particular requirements concerning installation of factory-built gas fireplaces. **All work should be done by a qualified contractor, and installation must conform with local codes or, in the absence of local codes, with the CAN/CGA B149.1 & .2 OR ANSI Z223.1-1988 Gas Installation Code.**

This fireplace is a decorative appliance and is not intended to be used as a heat source. Use for supplemental heating only.

SELECTING YOUR FIREPLACE LOCATION

The fireplace may be installed in any location that is free of air condition ducts, electrical wiring and plumbing. Safety, as well as efficiency of operation, must be considered when installing a fireplace, select a location that does not interfere with room traffic, has adequate ventilation, and offers an accessible pathway for B-Vent installation. The gas appliance must not be connected to a chimney flue serving a separate solid-fuel burning appliance.

The fireplace dimensions are shown below: **NOTE:** these are not framing dimensions (see Figure 2 for framing dimensions).

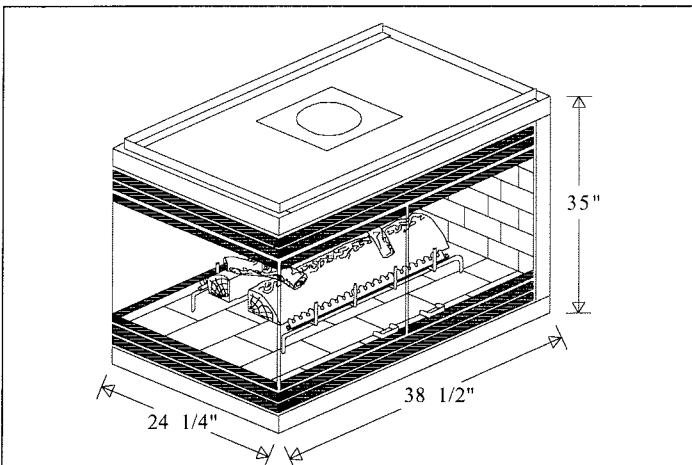


FIGURE 1. FIREPLACE DIMENSIONS

CAUTIONS

- Due to its high operating temperatures, the appliance should be located out of traffic & away from furniture and draperies.
- Children and adults should be alerted to the hazards of the high surface temperature, which could cause burns or clothing ignition.
- Young children should be carefully supervised when they are in the same room as the appliance.
- Clothing or other flammable materials should not be placed on or near the appliance.

INSTALLING THE FIREPLACE

The **Montigo 36PFC** clearances to combustible materials 0" back, 0" floor and 6" top (0" to standoff). The **Montigo 36PFC** can be installed 0" inches to any unprotected combustible wall perpendicular to the fireplace opening.

For the protection against freezing temperatures, it is recommended that the outer walls of the chase be insulated with a vapour barrier. This will reduce the possibility of a cold-air convection current on the fireplace.

The B-vent system requires clearance of 1" minimum air space.

The framing dimensions are shown below:

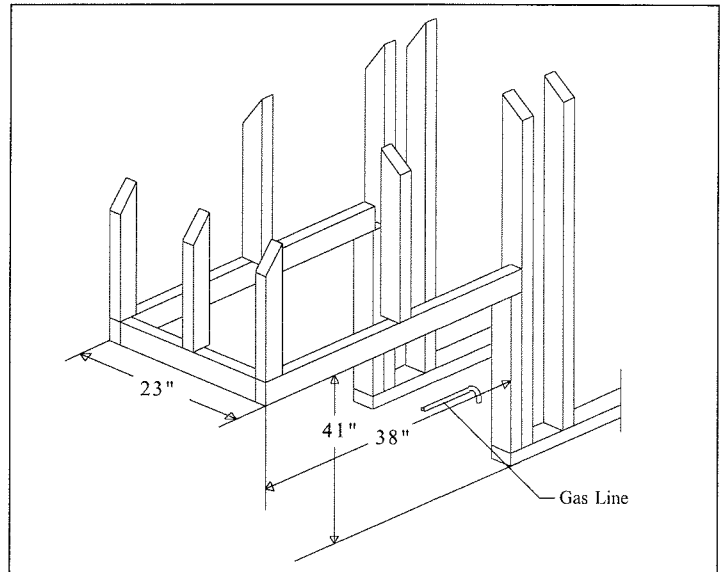


FIGURE 2. FRAMING DIMENSIONS

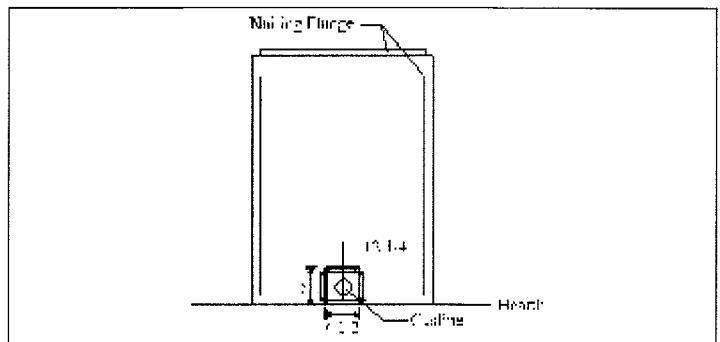


FIGURE 3. GAS LINE LOCATION
(opening for gas line in end of fireplace)

INSTALLING THE REMOTE SWITCH

The **Montigo 36PFC** is equipped with a remote-operated valve, located behind the removable grille. 10 Ft. of low voltage wire is supplied with the fireplace, simply mount a wall switch and connect low voltage wire. (Refer to Figure 6) The circuit is pre-wired and has a completely self-contained millivolt electrical system: **DO NOT** connect any external power to it.

The **Montigo 36PFC-I** is equipped with a Honeywell Automatic Pilot Ignition System. Refer to electrical diagram for field connections.

INSTALLING THE GAS LINE

The gas line must be installed before finishing the **Montigo 36PFC** fireplace. For **NATURAL GAS** the fireplace requires a minimum inlet pressure of 5.5" W.C. and a manifold pressure of 3.5" W.C. For Propane, minimum inlet is 11.0" W.C., Manifold pressure is 10.0" W.C. The gas control valve (which is mounted behind the removable grille at the bottom of the unit), is connected to the gas line through the access opening which is provided on the back side. Provide a 1/8" N.P.T. plugged tapping, accessible for test gauge connection, immediately up stream of the gas supply connection for the appliance.

FIREPLACE MANTLE

Combustible mantles may be safely installed over the top of the fireplace, provided they do not project beyond a line from point **A** to point **B**, as illustrated in the left side of **Figure 4** below. Combustible materials may also be installed parallel to the back of the fireplace.

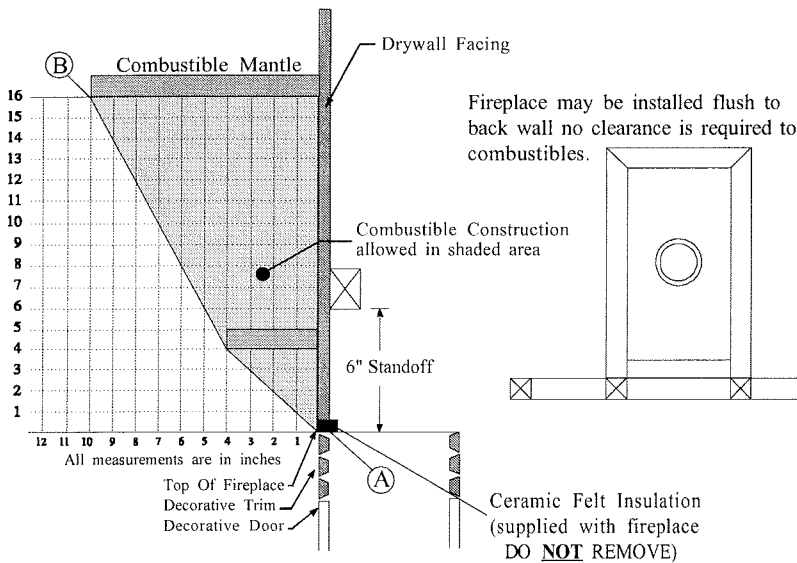


FIGURE 4. COMBUSTIBLE FACINGS

FIREPLACE FACING

When selecting the finish material for your fireplace, it is important to remember the following: **DO NOT COVER METAL FACE OF FIREPLACE, GRILLES MUST NOT BE OBSTRUCTED IN ANY WAY; to do so will reduce the air opening into the combustion chamber.**

The face of the fireplace may be painted to match the room decor, provided you use a heat-resistant paint. Decorative facing must not extend past the fireplace opening at all, because it will interfere with the operation of the glass doors.

INSTALLATION OF B-VENT

Montigo 36PFC uses 7" B-Vent and requires no B-Vent appliance connector. Fasten the B-Vent to the L-shaped brackets on each side of the opening with 1/4" sheet metal screws. Do not penetrate the inner sleeve of the B-Vent when tightening the screws. Refer to the current CAN/CGA B149.1 & 2 or ANSIZ223.1-1988 Gas Installation Code for specific vent installation instructions.

The **Montigo 36PFC** requires that you use 7" B-Vent.

NOTE: 7" B-VENT MUST NOT BE REDUCED.

Test your B-Vent installation after completion to assure that no combustible by-products are spilling from the fireplace opening. This draft test should be performed after a three minute warm up period. Canadian Heating Products Inc. will not be responsible for any installations with inadequate draw.

When installed in a bedroom or bed sitting room:

- An appliance shall not be vented into B-Vent, exterior to a building except that part above the roof line.
- A manual reset high limit switch is supplied. If it trips, it must be reset before the unit will function. To reset simply remove the brass trim at the top of the fireplace and push in the button on the high limit switch. **NOTE: When installing the fireplace the limit switch must be on the bedroom side**

Max 2 - 45°
Elbows Allowed

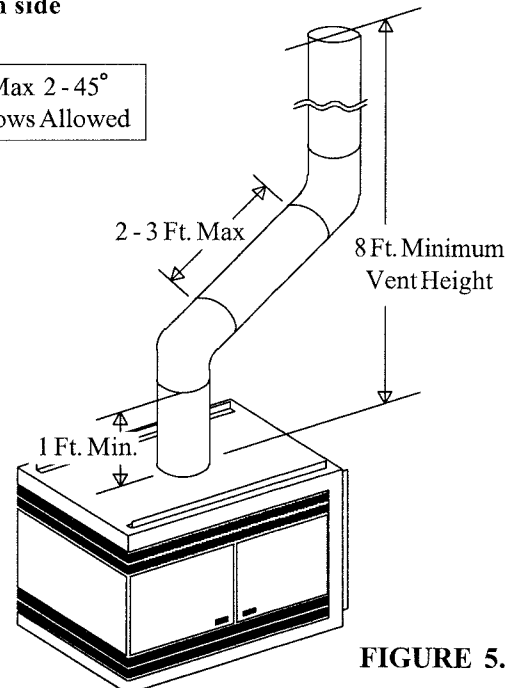


FIGURE 5.

- Maximum 2 - 45° Elbows allowed for a minimum vent height of 8 feet.
- For installations higher than 8 feet refer to the Installation Codes mentioned above for allowable offsets.

Operating Instructions for *Model M36PFC* (Continuous Pilot)

For Your Safety - READ BEFORE LIGHTING:

WARNING: If you do not follow these instructions exactly, a fire or explosion may result causing property damage, personal injury or loss of life.

A. This appliance has a pilot which must be lighted by hand. When lighting the pilot, follow these instructions exactly.

B. BEFORE LIGHTING smell all around the appliance area for gas. Be sure to smell next to the floor because some gas is heavier than air and will settle on the floor.

What To Do If You Smell Gas:

- Do not try to light any appliance.
- Do not touch any electrical switch; do not use any phone in your building.
- Immediately call your gas supplier from a neighbour's phone. Follow the gas supplier's instructions.

■ If you cannot reach your gas supplier, call the Fire Department.

C. Use only your hand to push in or turn the gas control knob. Never use tools. If the knob will not push in or turn by hand, don't try to repair it, call a qualified service technician. Force or attempt to repair may result in a fire or explosion.

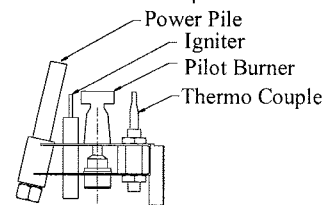
D. Do not use this appliance if any part has been under water. Immediately call a qualified service technician to inspect the appliance and to replace any part of the control system, and any gas control which has been under water.

Lighting Instructions:

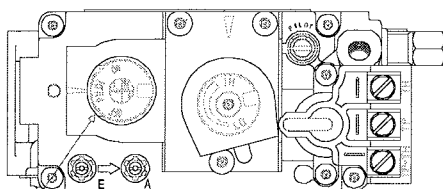
1. **STOP!** Read the safety information above on this label.
2. Open glass doors on one side and remove logs as necessary to reveal pilot.
3. Push in gas control knob and turn clockwise ↻ to "OFF."
4. Wait five (5) minutes to clear out any gas. Smell for gas, including near the floor. If you then smell gas, **STOP!** Follow "B" in the safety information above on this label. If you don't smell gas, go to the next step.
5. Locate pilot burner (See illustration at right.) and follow steps below.

6. Turn knob on gas control counterclockwise ↻ to "PILOT."
7. Push in gas control knob completely and hold. Light with Piezo Igniter button. Continue to hold the control knob in for about (1) minute after the pilot is lit. Release the knob and it will pop back up. Pilot should remain lit. If it goes out repeat steps 3 through 8.

- If knob does not pop up when released. Stop and immediately call your service technician or gas supplier.
- If the pilot will not stay lit after several tries, turn the gas control knob to "OFF" and call your service technician or gas supplier.



8. Push in gas control knob and turn counterclockwise ↻ to "ON."
9. Replace lower brass trim and logs.
10. Turn on remote switch to ignite fire.



NOTE: Knob cannot be turned from "PILOT" to "OFF" unless knob is pushed in slightly. Do not force.

To Turn Off Gas To Appliance:

1. Turn off remote switch.
2. Remove lower brass trim.

3. Push in gas control knob slightly and turn ↻ clockwise to "Off". Do not force.
4. Replace brass trim.

Operating Instructions for *Model M36PFC-I* (Honeywell Intermittent Pilot)

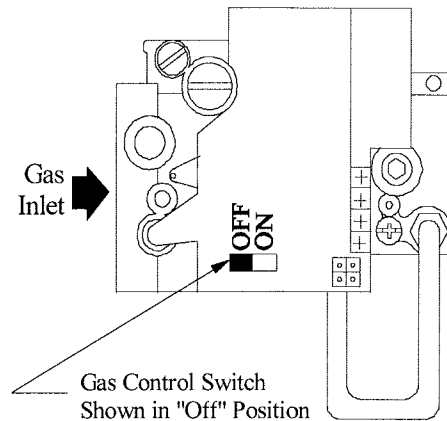
For Your Safety - READ BEFORE LIGHTING:

WARNING: If you do not follow these instructions exactly, a fire or explosion may result causing property damage, personal injury or loss of life.

- A.** This appliance has a pilot which is lit automatically. **Do not attempt to light the pilot by hand.**
- B. BEFORE LIGHTING** smell all around the appliance area for gas. Be sure to smell next to the floor because some gas is heavier than air and will settle on the floor.
- What To Do If You Smell Gas:**
- Do not try to light any appliance.
 - Do not touch any electrical switch; do not use any phone in your building.
 - Immediately call your gas supplier from a neighbour's phone. Follow the gas supplier's instructions.
- If you cannot reach your gas supplier, call the Fire Department.
- C.** Use only your hand to push in or turn the gas control knob. Never use tools. If the knob will not push in or turn by hand, don't try to repair it, call a qualified service technician. Force or attempt to repair may result in a fire or explosion.
- D.** Do not use this appliance if any part has been under water. Immediately call a qualified service technician to inspect the appliance and to replace any part of the control system, and any gas control which has been under water.

Lighting Instructions:

1. **STOP!** Read the safety information above on this label.
2. Remove lower brass trims.
3. Turn switch on the gas control to "OFF".
4. Wait 5 minutes to clear out any gas. If you smell gas, **STOP!** Follow "B" in the safety information above on this label. If you don't smell gas, go to the next step.
5. Turn switch on the gas control to "ON". **NOTE:** This unit is equipped with an ignition system that lights the pilot burner automatically. **Do not attempt to light the pilot by hand.**
6. Turn on wall switch.
7. Replace lower brass trim.
8. If the fireplace does not operate, follow the instructions "To Turn Off Gas To Appliance" and call your service technician or gas supplier.



To Turn Off Gas To Appliance:

1. Turn off remote switch.
2. Remove lower brass trim.
3. Turn the switch on the gas control to "Off".
4. Replace brass trim.

INSTALLING THE LOG SET

The M38BV-PFC is supplied with five (5) fibre logs. The two large bottom logs (logs "A" and "B") are mounted on the burner grate by placing them into their slots. Place logs "C" and "D" into their mating positions on the large logs as shown in Figure 7a below. Log "E" is mounted on top of logs "C" and "D" as shown in Figure 7b.

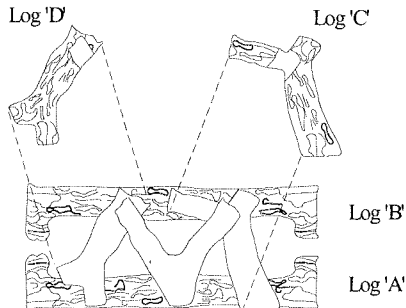


Figure 5a. Log Installation.

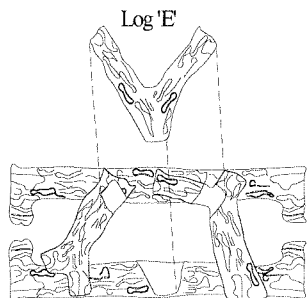


Figure 5b. Completed Installation.

WARNING: If logs are not placed properly, excessive sooting will result.

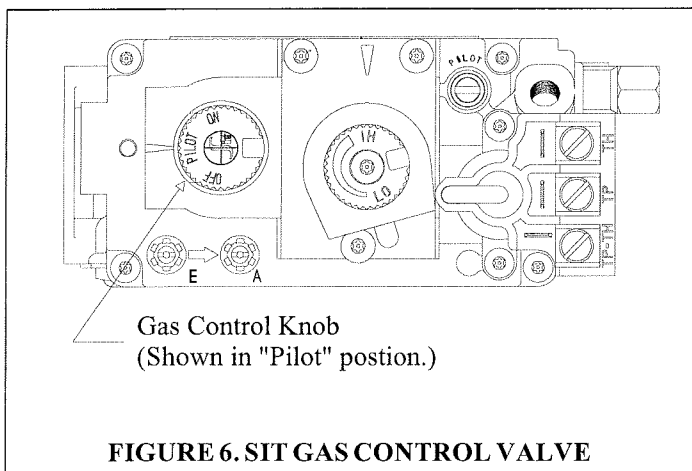


FIGURE 6. SIT GAS CONTROL VALVE

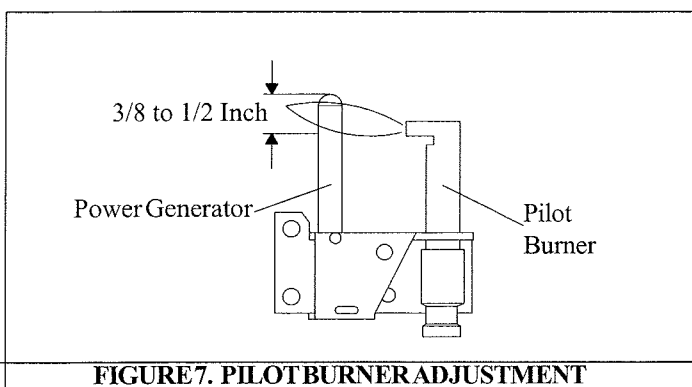


FIGURE 7. PILOT BURNER ADJUSTMENT

PILOT BURNER ADJUSTMENT

The pilot burner can be viewed by looking through the 'vee-notch' in the outer logs at burner-level.

1. Remove Pilot Adjustment Cap.
2. Adjust pilot screw to provide properly sized flame. See Figure 7.
3. Replace pilot adjustment cap.
4. Leak test with a soap solution after installing or servicing with main burner on. Coat pipe and tubing joints, gasket etc. with soap solution. Bubbles indicate leaks. Tighten any areas where the bubbles appear until the bubbling stops completely.

MAINTENANCE

- Have the fireplace installation inspected yearly, including a visual check of the vent system, the burner and the pilot flame. For your convenience a 1/8" manifold pressure tap is supplied on the gas valve for a test gauge connection. See Figure 6.
- For **Natural Gas** this appliance requires a minimum inlet pressure of 5.5" W.C. and a manifold pressure of 3.5" W.C.
- Always keep the fireplace area clear and free of combustible materials, as well as gasoline and other flammable vapours and liquids.
- Use a vacuum cleaner or whisk broom to keep the control compartment, burner, and firebox free from dust and lint.
- Logs maybe cleaned periodically with a vacuum to remove soot and other contamination.

CAUTIONS

- *Fireplace gas control must be in the "OFF" position and pilot and main burners extinguished when cleaning appliance with a vacuum.
- *Logs can get very hot, handle only when logs are cool.

Standing Pilot Troubleshooting Guide

The following is a troubleshooting chart of possible problems:

PROBLEM	CORRECTIVE ACTION
Noisy Pilot Flame	Turn pilot adjuster screw, located next to gas shut off valve. Flame is decreased by turning screw clock wise
Unbalanced Flame	Reposition Logs
Pilot won't ignite (Robertsahw Control)	Short remote wires at the valve and try to light pilot. If pilot now works, remote connections are faulty. If pilot still won't ignite, problem is in the control valve area.

If your **Montigo 36PFC** is in need of repair we recommend that you consult your dealer or the manufacturer.

All spare parts are available from Canadian Heating Products Inc. or your local dealer.

The **Montigo 36PFC(I)** has a ten-year unlimited warranty on the firebox, a five-year warranty on the main burner, pilot burner and cultured oak logs. Also a one-year warranty on the gas control valve, and a 90 day warranty on the bifold glassdoors.

**OPTIONAL AUTO. PILOT IGNITION/SYSTEM
36PFC-I MODELS**

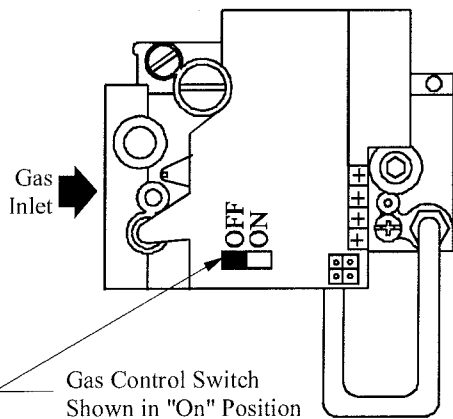
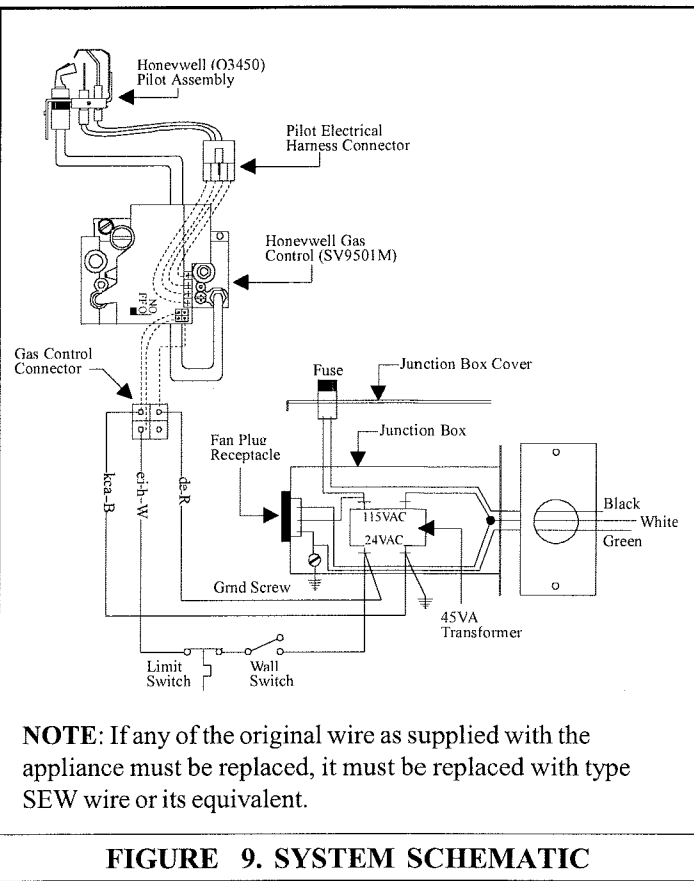


FIGURE 8. HONEYWELL CONTROL

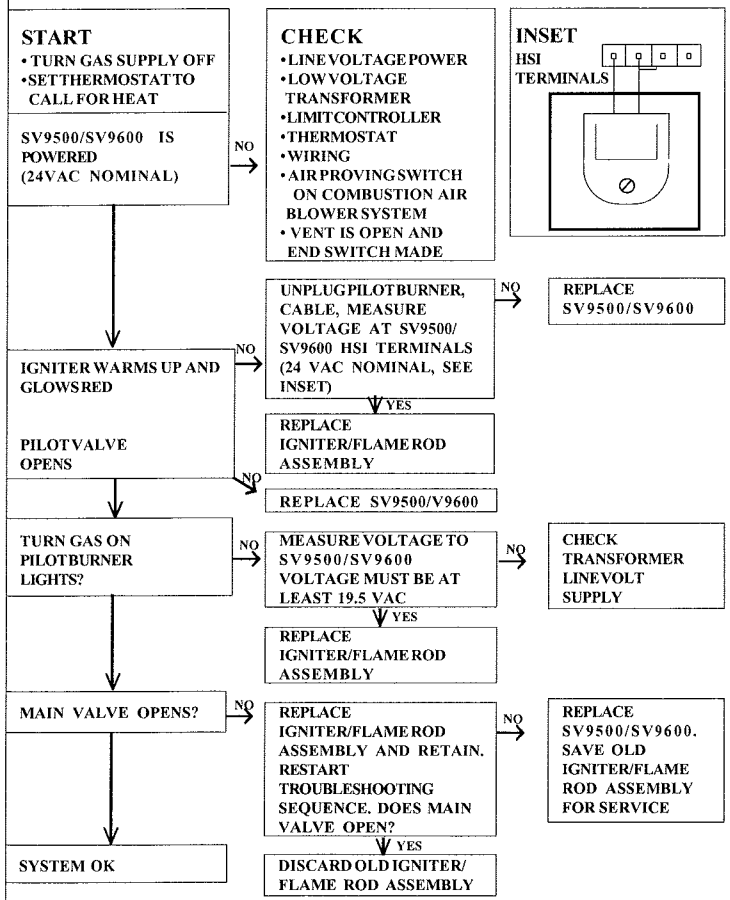


NOTE: If any of the original wire as supplied with the appliance must be replaced, it must be replaced with type SEW wire or its equivalent.

FIGURE 9. SYSTEM SCHEMATIC

**SV9500/SV9600 TROUBLESHOOTING SEQUENCE
HONEYWELL HOT SURFACE IGNITION**

NOTE: BEFORE TROUBLESHOOTING, FAMILIARIZE YOURSELF WITH THE STARTUP AND CHECKOUT PROCEDURE



NOTE:

The appliance must be when installed, electrically grounded in accordance with CSA C22.1 Canadian Electrical Code Part 1 and/or local Codes.

In the U.S.A., the electrical wiring must be grounded in accordance with the National Electrical Code, ANSI/NFPA 70-1987 or local codes, where applicable.

CLEANING

When fireplace is first activated some smoking and visible film on the glass may occur, this is a normal condition of heat burning of protective coatings on new metal.

- Products of combustion do deposit a visible film on the glass which must be cleaned periodically. Film can easily be removed by removing the 10 screws which hold the door in place, handling carefully, and cleaning with normal liquid household products.

WARNING: Do not attempt to clean glass when hot. Do not clean glass with abrasive materials as any glass etching may cause premature glass failure.

- Silicone seals on inner door during initial firing will "off gas", leaving a visual deposit of a white substance on combustion chamber walls. This can easily be removed using normal household products.
- Use a vacuum cleaner or whisk broom to keep the control compartment, burner, and firebox free from dust and lint.
- Logs may be cleaned periodically with a vacuum to remove soot and other contaminates.

ADJUSTING GLASS DOORS

The **Montigo 36PFC** comes with Twin Pane Glass Doors (**Model # TWD36**), installed and adjusted. If further adjustments are necessary follow adjustment instructions below.

The doors are held to the frame by an adjustable spring bracket at the top corners of the opening and a pivot point at the bottom of the glass doors, see **Figure 10**.

Montigo 36PFC Door Adjustment Procedure:

- Doors may be adjusted by simply loosening spring clip screw and adjusting door into square.
- Doors may be adjusted front to back by simply turning screw, located on top door mount (see Figure 10 inset) until door is adjusted into desired position.
- You may also adjust magnet for lining up bottom middle of door by loosening screws and squeezing magnet together.

- Remove the protective sheet from the door trim by peeling. **WARNING:** Make sure this is done before fireplace is ignited as heat will melt plastic to brass and become non-removable.

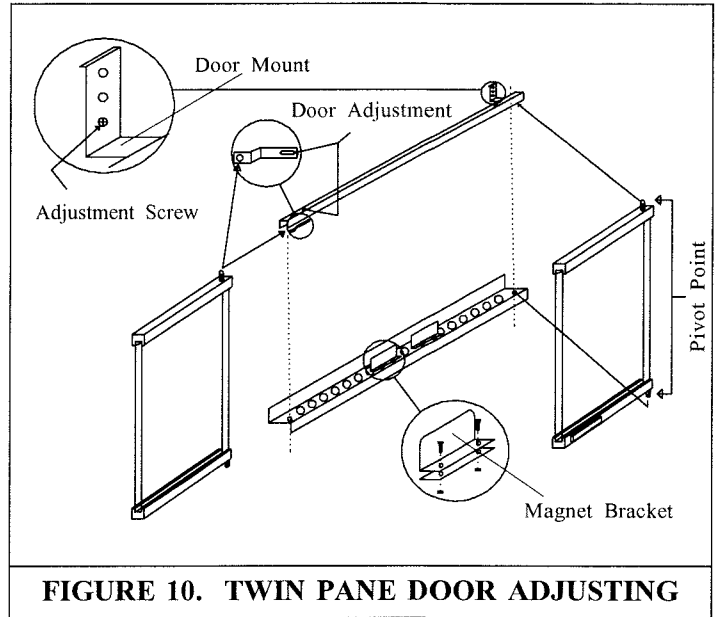
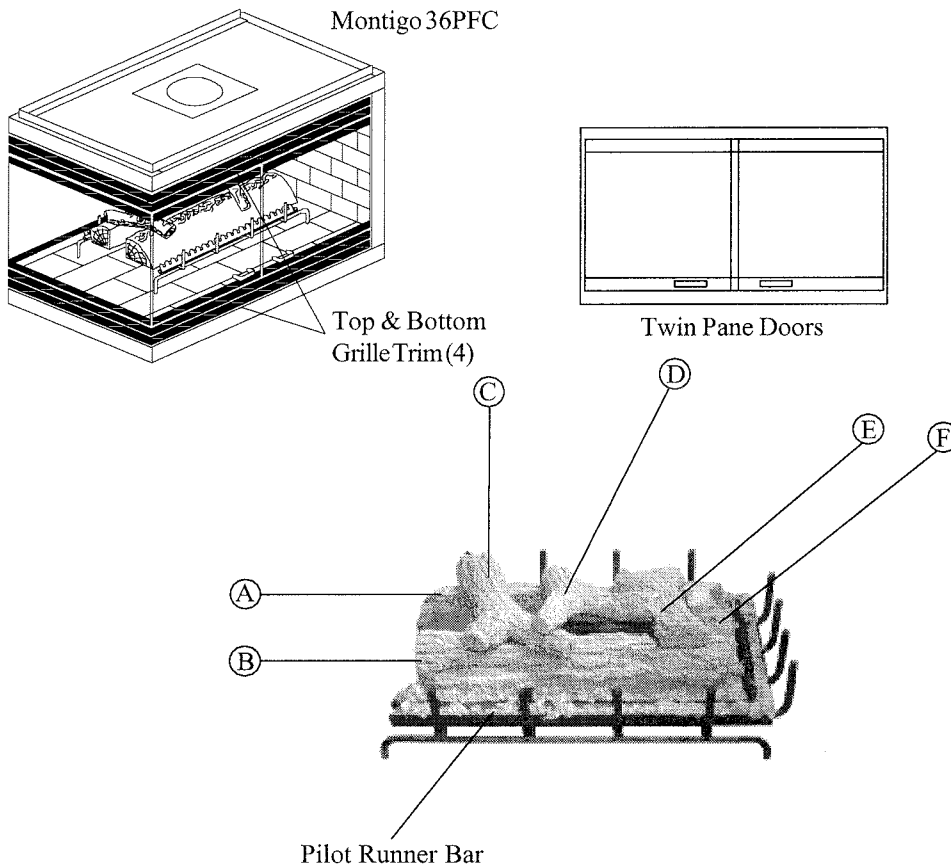


FIGURE 10. TWIN PANE DOOR ADJUSTING

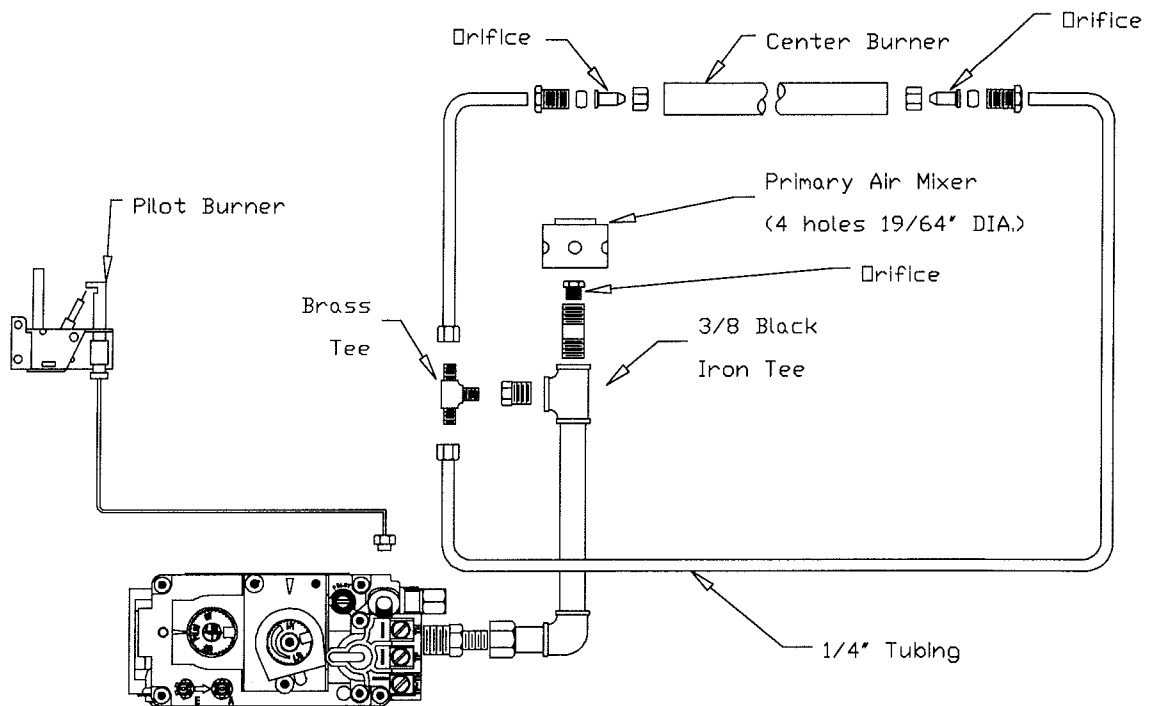
MONTIGO 36PFC PARTS LIST



PARTS LIST

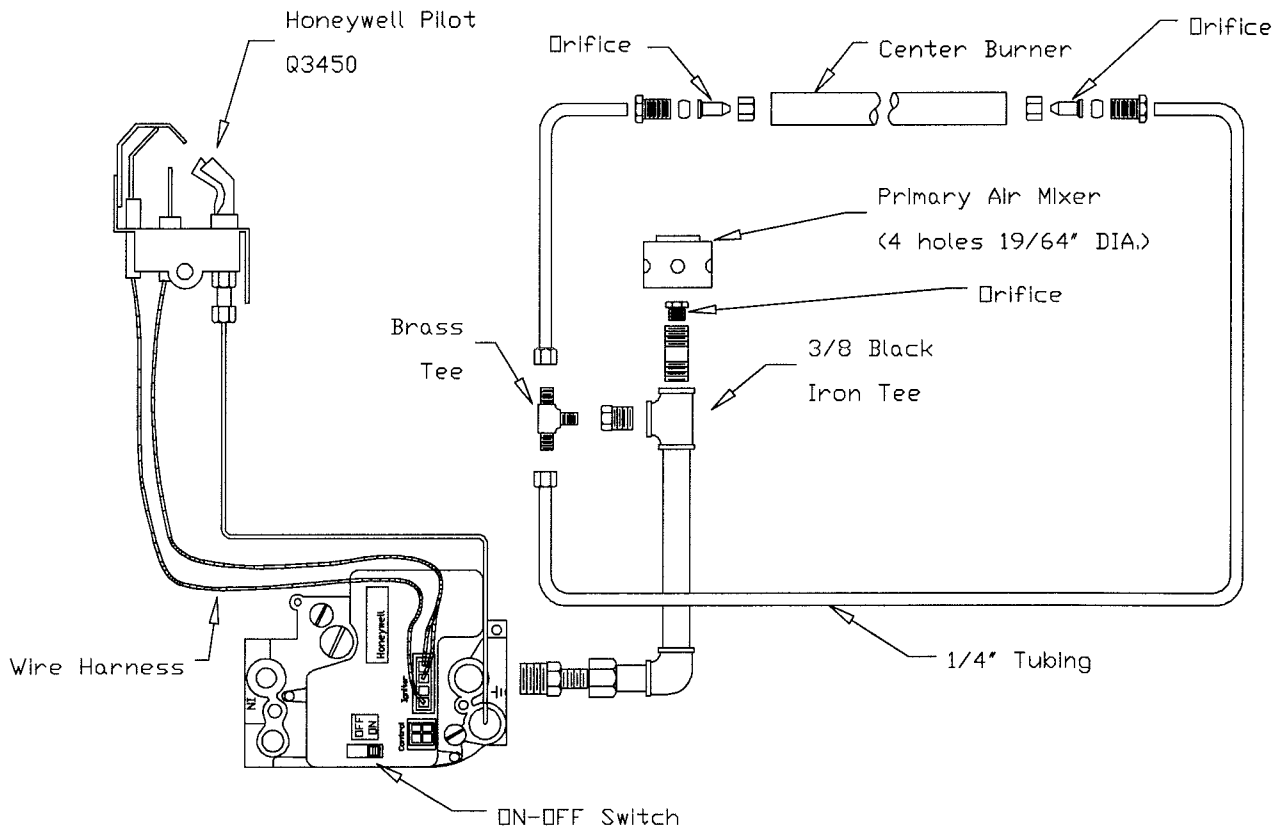
Top Grille Trim
Twin Pane Doors
Logs
Bottom Grille Trim

Parts List for *Model M36PFC* (Continuous Pilot)



Gas Control
SIT NOVA 820

Parts List for *Model M36PFC-I* (Honeywell Intermittent Pilot)



36PFC-I
GAS FIREPLACE WARRANTY

THE WARRANTY

The Companies warrants the Montigo Gas Appliance to be free from defects in materials and workmanship at the time of manufacture. On the Montigo, there is a ten-year warranty on the firebox and its components, a five-year warranty on the main burner, pilot burner and a one-year warranty on the gas control valve and glass doors.

REMEDY AND EXCLUSIONS

The coverage of this Warranty is limited to all components of the Gas Appliance manufactured by The Companies.

This Warranty only covers Montigo Gas Appliances installed in the United States or Canada.

If the components of the Gas Appliance covered by this Warranty are found to be defective within the time frame stated (see The Companies right of investigation outlined below), The Companies will, at its option, replace or repair defective components of the Gas Appliance manufactured by The Companies at no charge, and will also pay for reasonable labour costs incurred in replacing or repairing components. If repair or replacement is not commercially practical, The Companies will, at its option, refund the purchase price of the Montigo Gas Appliance.

This Warranty covers only parts and labour as provided above. In no case shall The Companies be responsible for materials, components, or construction which are not manufactured or supplied by The Companies, or for the labour necessary to install, repair or remove such materials, components or construction. All replacement or repair components will be shipped F.O.B. the nearest The Companies factory.

QUALIFICATIONS TO THE WARRANTY

The Gas Appliance Warranty outlined above is further subject to the following qualifications:

(1) The Gas Appliance must be installed in accordance with The Companies installation instructions and local building codes. The Warranty on this Montigo Gas Appliance covers only the component parts manufactured by The Companies. The use of components manufactured by others with this Montigo Gas Appliance could create serious safety hazards, may result in the denial of certification by recognized national safety agencies, and could be in violation of local building codes. This warranty does not cover any damages occurring from the use of any components not manufactured or supplied by The Companies

(2) The Montigo Gas Appliance must be subjected to normal use. The Gas Appliances are designed to burn gas only. Burning conventional fireplace fuels such as wood, coal or any other solid fuel will cause damage to the Gas Appliance, will produce excessive temperatures and will result in a fire hazard.

LIMITATIONS ON LIABILITY

It is expressly agreed and understood that The Companies sole obligation, and purchaser's exclusive remedy under this Warranty, under any other warranty, expressed or implied, or in contract, tort or otherwise, shall be limited to replacement, repair, or refund, as specified above.

In no event shall The Companies be responsible for any incidental or consequential damages caused by defects in its products, whether such damage occurs or is discovered before or after replacement or repair, and whether or not such damage is caused by The Companies negligence. Some states do not allow the exclusion or limitation of incidental or consequential damages, so the above limitation or exclusion may not apply to you. The duration of any implied warranty with respect to this Montigo Gas Appliance is limited to the duration of the foregoing warranty. Some states do not allow limitation on how long an implied warranty lasts, so the above may not apply to you.

INVESTIGATION OF CLAIMS AGAINST WARRANTY

The Companies reserves the right to investigate any and all claims against this Warranty and to decide upon method of settlement.

THE COMPANIES ARE NOT RESPONSIBLE FOR WORK DONE WITHOUT WRITTEN CONSENT

The Companies shall in no event be responsible for any warranty work done without first obtaining The Companies written consent.

DEALERS HAVE NO AUTHORITY TO ALTER THIS WARRANTY

The Companies employees and dealers have no authority to make any warranties nor to authorize any remedies in addition to or inconsistent with those stated above.

HOW TO REGISTER A CLAIM AGAINST WARRANTY

In order for any claim under this Warranty to be valid, The Companies must be notified of the claimed defect in writing or by telephone, as soon as reasonably possible after the defect is discovered. Claims against this Warranty in writing should include the date of installation, and a description of the defect.

OTHER RIGHTS

This Warranty gives you specific legal rights, and you may also have other rights which vary from state to state.

NOTE: *The Companies* as stated above refer to - Canadian Heating Products Inc. and/or Montigo Del Ray Corp.

Canadian Heating Products Inc. and/or Montigo DelRay Corp. reserves the right to make changes at any time, without notice, in design, materials, specifications, prices and also to discontinue colors, styles and products.

CANADIAN HEATING PRODUCTS INC.
Surrey, B.C. V3W 2V6

MONTIGO DEL RAY CORP.
Ferndale, WA 98248