

DISCONTINUED ITEM

THIS ITEM HAS BEEN DISCONTINUED AND IS
NO LONGER IN PRODUCTION.
PLEASE CONTACT YOUR LOCAL MONTIGO DEALER
REGARDING MAINTENANCE AND SPARE PARTS AVAILABILITY.

MONTIGO
FIREPLACES



Warning:

Improper installation, adjustment, alteration, service or maintenance can cause injury or property damage. Refer to this manual. For assistance or additional information consult a qualified installer, service agency or the gas supplier.

For Your Safety:

Do not store or use gasoline or other flammable vapors and liquids in the vicinity of this or any other appliance.

What To Do If You Smell Gas:

- Do not try to light any appliance.
- Do not touch any electrical switch; do not use any phone in your building.
- Immediately call your gas supplier from a neighbor's phone. Follow the gas supplier's instructions.
- If you cannot reach your gas supplier, call the fire department.

Installation Operation & Maintenance

H-Series DL Gas Fireplace H34DL H38DL H42DL

Safety Notice:

Glass doors on gas fireplaces are extremely hot while the fireplace is on and remain hot even after the fireplace has been turned off. Safety screens are available and can reduce the risks of severe burns. Please keep children away from the fireplace at all times.

Check local codes and read all instructions prior to installation.

- *Installer: Leave this manual with the appliance.*
- *Consumer: Leave this manual for future reference.*



Table Of Contents

Introduction 2

Installation

 Installing and Framing the Fireplace..... 3

 Installing the Gasline..... 4

 The Remote Switch..... 5

 Installing the Standoffs 5

 Direct Vent Installation 4

 General Venting Requirements 4

 Terminations 5

 Converting to Top or Rear Vent model 6

 Top Vent Venting Runs 7-10

 Rear Vent Venting Runs 11-13

 Finishing around the fireplace

 Facing..... 14

 Mantels and Surrounds 14

 Wiring 14

 Installing Optional Fans..... 15

 Removing and Installing the Door..... 15

 Installing the Logset..... 16-17

 Installing the Horizontal Trim..... 18

Operation 19-21

Maintenance 21-22

Warranty 23

Appendix

 A. Termination Locations..... 24

Introduction

Thank You for choosing a Frontier Gas Fireplace.

About this Fireplace:

The **H-Series DL** is a fireplace with a pan-style burner and glowing embers. This fireplace can be converted to both a Top Vent or Rear Vent application, and it is available in two models.

The **H34DL** is rated for Natural Gas at 18,000 BTU/H (5.28 Kilowatts) Input or Propane at 18,000 BTU/H (5.28 Kilowatts) Input.

- **H34DL**; Top or Rear Vent, Millivolt Pilot.
- **H34DL-I**; Top or Rear Vent, Intermittent Pilot (HSI).

The **H38DL** is rated for Natural Gas at 26,000 BTU/H (7.62 Kilowatts) Input or Propane at 26,000 BTU/H (7.62 Kilowatts) Input.


- **H38DL**; Top or Rear Vent, Millivolt Pilot.
- **H38DL-I**; Top or Rear Vent, Intermittent Pilot (HSI).

The **H42DL** is rated for Natural Gas at 34,000 BTU/H (9.97 Kilowatts) Input or Propane at 28,000 BTU/H (8.21 Kilowatts) Input.

- **H42DL**; Millivolt Pilot, **LP Models Top Vent Only**, NG Models Top or Rear Vent Convertible.
- **H42DL-I**; Intermittent Pilot (HSI), **LP Models Top Vent Only**, NG Models Top or Rear Vent Convertible.

How to use this manual:

This manual covers installation, operation and maintenance. Lighting, operation and care of this fireplace can be easily performed by the homeowner. However, all installation and service work should be performed by a qualified or licensed installer, plumber, or gasfitter who is qualified or licensed by the state, province, region, or governing body in which the appliance is being installed.

This manual covers all models and unless otherwise specified, the designation **H-Series DL** refers to all models. Sections which are specific to a particular model are marked with a  symbol, plus the appropriate model number.

Warranty and Installation Information:

The Montigo warranty will be voided by, and Montigo disclaims any responsibility for, the following actions:

- Modification of the fireplace and/or components including Direct-Vent assembly or glass doors.
- Use of any component part not manufactured or approved by Montigo in combination with this Montigo fireplace system.
- Installation other than as instructed in this manual.

Consult your local Gas Inspection Branch on installation requirements for factory-built gas fireplaces. Installation & repairs should be done by a qualified contractor.

Installations in Canada must conform to the current **CAN/CGA B-149.1** and **.2** Gas Installation Code and local regulations. If the optional air-circulating fan kit is installed, it must be electrically grounded in accordance with **CSA C22.1** Canadian Electrical Code Part 1 and/or Local Codes.

Installations in the USA must conform to local codes, or in the absence of local codes to the National Fuel Gas Code, **ANSI Z223.1-1988**. If the optional air-circulating fan is installed, it must be grounded in accordance with local codes or, in the absence of local codes, with the National Electrical Code, **ANSI/NFPA 70-1987**.

CAUTIONS

Due to its high operating temperatures, the appliance should be located out of traffic & away from furniture and draperies.

- Children and adults should be alerted to the hazards of the high surface temperature, which could cause burns or clothing ignition.
- Young children should be carefully supervised when they are in the same room as the appliance.
- Clothing or other flammable materials should not be placed on or near the appliance.

Important: Natural Gas equipped models may be installed using Top or Rear Vent applications. However, all Propane equipped models must be installed in a top vent application only.

Installation



Installing and Framing the Fireplace

The fireplace may be installed in any location that maintains proper clearances to air conditioning ducts, electrical wiring and plumbing. Safety, as well as efficiency of operation, must be considered when selecting the fireplace location. Try to select a location that does not interfere with room traffic, has adequate ventilation, and offers an accessible pathway for Direct Vent installation. Refer to page 4 - *Vent Installation* for more information.

The fireplace dimensions are shown below:

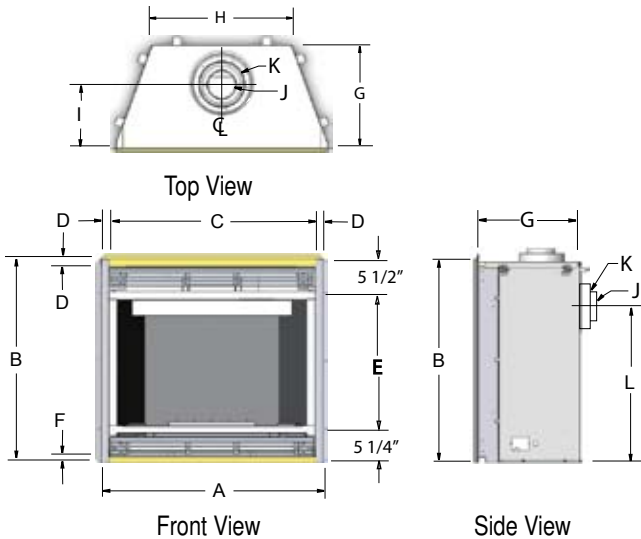


Figure 1. Fireplace dimensions.

	A	B	C	D	E	F	G	H	I	J	K	L
H34DL	33 ⁷ / ₈	31 ¹ / ₂	31 ¹ / ₈	1 ¹ / ₄	21 ¹ / ₂	1	15 ¹ / ₄	21 ⁷ / ₈	7 ³ / ₄	4	7	25
H38DL	37 ³ / ₄	34 ¹ / ₂	34 ³ / ₄	1 ¹ / ₄	24 ¹ / ₂	1	16 ¹ / ₄	25	9 ¹ / ₄	5	8	27 ³ / ₄
H42DL	42	38 ¹ / ₂	39	1 ¹ / ₄	28 ⁵ / ₈	1	17 ³ / ₄	28 ¹ / ₄	10 ³ / ₈	5	8	31 ¹ / ₂

Clearances

These clearances apply to all dimensions *except the framed opening*, where the clearance to combustibles is **0"**. The **H-Series DL** clearances to combustible materials are:

	H34DL	H38DL	H42DL
Top - Rear Vent *	9"	9"	9"
Top - Top Vent	17 ¹ / ₂ "	17 ¹ / ₂ "	17 ¹ / ₂ "
Back	2"	2"	2"
Sides	1"	1"	1"
Floor	0"	0"	0"
Mantle**	4"	4"	4"

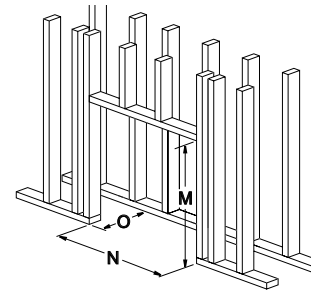
* Clearance from the top of the fireplace to a combustible ceiling within the fireplace enclosure.

** Refer to page 11.

Unprotected combustible walls which are perpendicular to the fireplace opening, must not project beyond the shaded area shown in Figure 24.

For protection against freezing temperatures, it is recommended that outer walls of the chase be insulated with a vapor barrier. This will reduce the possibility of a cold-air convection current on the fireplace.

Framing



* When sheetrock is not used behind the fireplace, framing depth may be reduced by 5/8"

Figure 2. Framing dimensions.

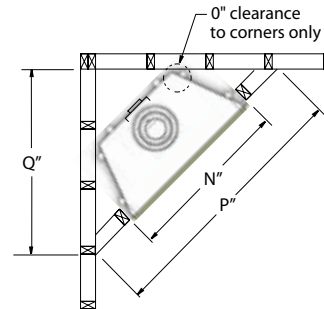


Figure 3. Minimum Corner framing dimensions, using a 45° elbow.

When installing a shelf over the top of the fireplace, the following guidelines must be adhered to: For Rear Vent applications the minimum clearance from the top of the fireplace to a shelf is 9". For Top Vent applications, the minimum clearance is 17 1/2". (Minimum 2" clearance must still be maintained around the vent pipes.)

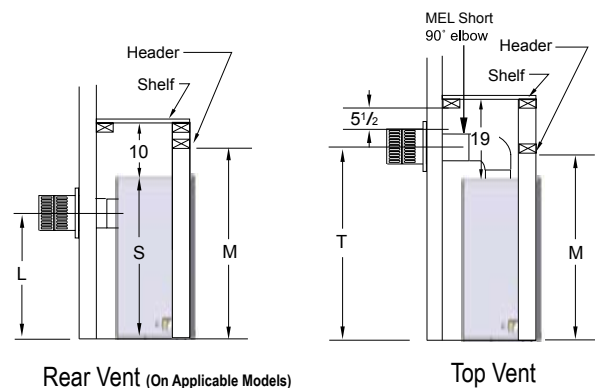


Figure 4. Framing for shelves over the fireplace.

	M	N	O	P	Q	R	S	T
H34DL	37 ¹ / ₄	33 ³ / ₄	17 ⁷ / ₈	52 ³ / ₈	37	N/A	31	41
H38DL	40 ¹ / ₄	37 ³ / ₄	18 ⁷ / ₈	57 ¹ / ₂	40 ⁵ / ₈	N/A	34	44
H42DL	44 ¹ / ₄	42	19 ³ / ₈	63 ³ / ₄	45 ⁵ / ₈	N/A	38	48

WARNING:

When this appliance is installed directly on carpeting, tile or any combustible material other than wood flooring, it must be installed on a metal or wood panel extending the full width and depth of the appliance.



Installation

Installing The Gas Line

The gas line must be installed before finishing the H-Series DL Fireplace. **Natural Gas** requires a minimum inlet gas supply pressure of 5.5" W.C. & a manifold pressure of 3.5" W.C. **Propane Gas** requires a minimum inlet gas supply pressure of 11" W.C. & a manifold pressure of 10" W.C. Provision must also be made for a 1/8" N.P.T. plugged tapping and be accessible for test gauge connection immediately upstream of the gas supply controls to the appliance. The fireplace gas connection and the main operating gas valve is located behind the removable trim at the bottom of the unit and need only be attached to the gas line with an approved fitting, as required by the **applicable installation codes**.

- Only use gas shut-off valves approved for use by the state, province, region, or governing body, in which the appliance is being installed, or as required by the applicable installation codes.

- Flexible gas connectors must not exceed 3 feet in length, unless it is allowable within applicable installation codes.

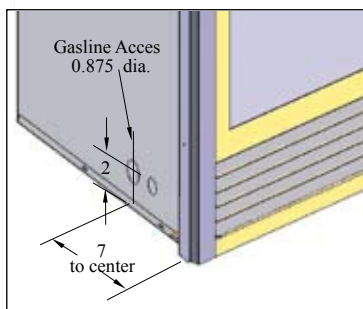


Figure 5. Gas line access.

The appliance and its individual shut-off valve must be disconnected from the gas supply piping system during any pressure testing of that system at test pressures in excess of 1/2 psig (3.5 kPa).

The appliance must be isolated from the gas supply piping system by closing its individual manual shut-off valve during any pressure testing of the gas supply piping system at test pressures equal to or less than 1/2 psig (3.5 kPa).

Note: After gas line is connected, **each appliance connection, valve and valve train** must be checked while under normal operating pressure with either a liquid solution, or leak detection device, to locate any source of leak. Tighten any areas where bubbling appears or leak is detected until bubbling stops completely or leak is no longer detected. **DO NOT use a flame of any kind to test for leaks.**

Vent Installation

This section covers the installation of direct venting and terminations.

Installation Requirements

- H34DL fireplaces are certified for use with Montigo Standard Series (4" / 7") venting components.
- H42DL & H38DL fireplaces are certified for use with Montigo Standard Series (5" / 8") venting components.
- Minimum **clearance to combustible construction around the vent pipe is 1"** on all sides, except on horizontal venting where the **top** of the pipe must have a clearance of at least 2".
- Use only *certified Montigo vent components*. (Use of other parts will void the Montigo warranty, and may impede the operation of the fireplace.)
- All joints must be secured with a minimum of two screws per joint
- Vent terminations must not be recessed in walls or siding
- Horizontal runs must be supported by a minimum of two supports per horizontal run. A minimum of one screw on each side of support is also required
- Flex vent sections may be stretched up to 50% of their total length (eg. a 24" section may be stretched to 36")
- Maximum horizontal run with no vertical rise is 6 feet.
- Flex vent sections over 6 feet must fall within the limits set by the venting graph and must have a minimum vertical rise of 3 inches per foot of flex.
- Solid vent sections may be cut less than half way from the female end
- Venting components can be used in any combination of solid/rigid pipe or flex pipe and in any orientation (Male connectors can face in any direction)

Vent Terminations

Selecting A Termination Location

Choosing your vent termination location will help to determine whether you need to use a top vent or rear vent fireplace. Figure 6a, below, shows typical fireplace locations and the venting options they provide.

For a more detailed diagram of allowed termination locations, see *Appendix A*.

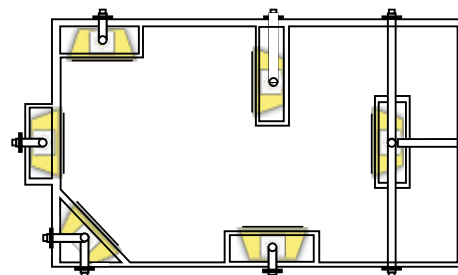


Figure 6a. Fireplace locations and vent terminations.

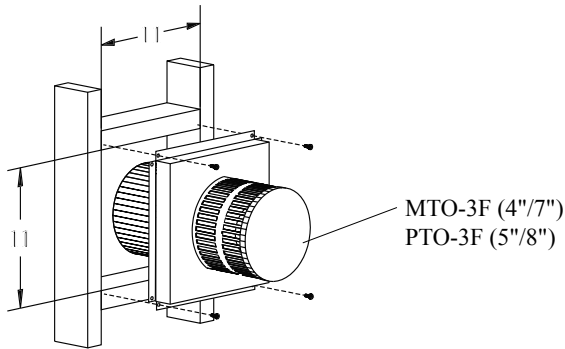
Cautions:

- Vent terminations can be very hot. If the termination is less than 7 feet above a public walkway, it should be fitted with a certified Montigo Heat Guard. (Part no. MTKOG/PTKOG).
- Do not obstruct, or attempt to conceal, the vent termination. These actions will affect the operation of the fireplace, and may be hazardous.
- In heavy snow areas, take extra care to prevent snow buildup from obstructing the vent termination.

Installation

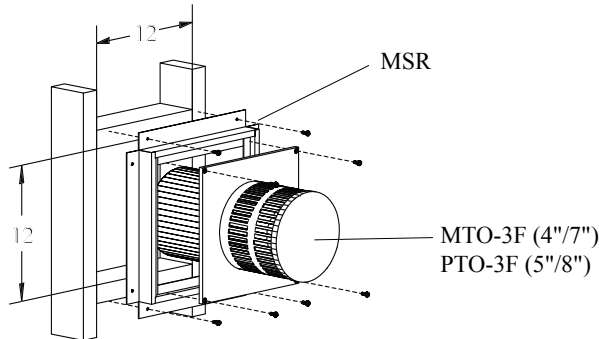


Installing Terminations with Built-In Frames



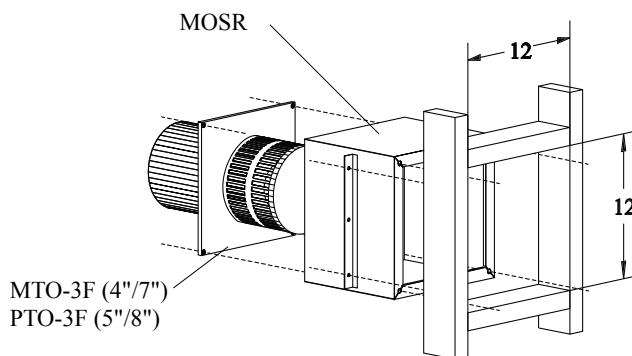
1. Frame the termination opening to 11" x 11".
2. Fasten the termination to the studs using a minimum of 4 screws.

Installing Terminations with MSR Frames



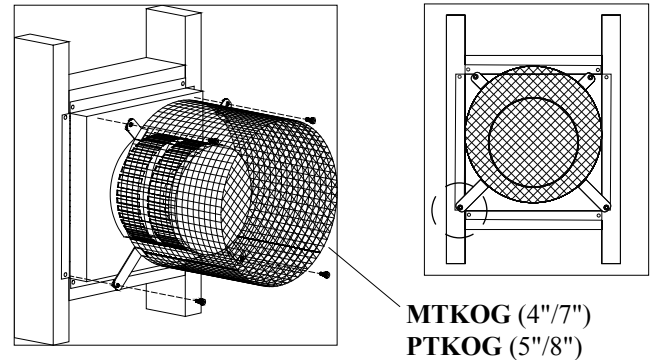
1. Frame the termination opening to 12" x 12".
2. Fasten the termination to the studs using a minimum of 4 screws.

Installing Terminations with MOSR Frames



1. Frame the termination opening to 12" x 12".
2. Fasten the MOSR frame to the interior side of the studs using a minimum of 4 screws.
3. Insert the termination into the MOSR frame as shown here, and attach by screwing through the four pilot holes in the termination.

Installing Heat Guards over Terminations



1. Ensure that the two **long** mounting brackets are facing the bottom of the termination. (See inset). This will provide more heat protection at the top of the termination, where temperatures are highest.
2. Attach to the faceplate of the termination using four sheet metal screws.

Installing The Standoffs

To avoid elevated mantel temperatures, all H-Series DL gas fireplaces are required to have the supplied standoffs installed. The fireplace is supplied with two standoffs. Bend and install these standoffs on top of the fireplace ensuring that the height of the standoff maintains a 6" clearance.

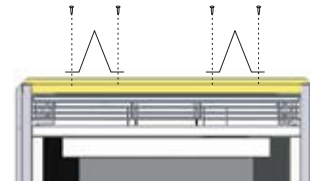


Figure 6b. *Installing the standoffs.*

Installing The Remote Switch

The H-Series DL's gas valve, located behind the lower trim, may be connected to a wall switch. The valve generates its own power on a millivolt circuit. **Use only low voltage wire, and DO NOT** connect any external power to it.

Refer to Figure 26 for wiring requirements.

Note: The switch location must not exceed 30' from the fireplace.



Installation

Converting to Top Vent/ Rear Vent

H-Series DL Top Vent

Use the following instructions to convert an H-Series DL for Top Vent use:

1. Install the 4" or 5" inner flue cap on the rear flue outlet and secure the cap in place with five screws, as shown in figure 7a.
2. Install the 7" or 8" outer flue cap on the rear flue outlet, and secure it with five screws, as shown in figure 8a.

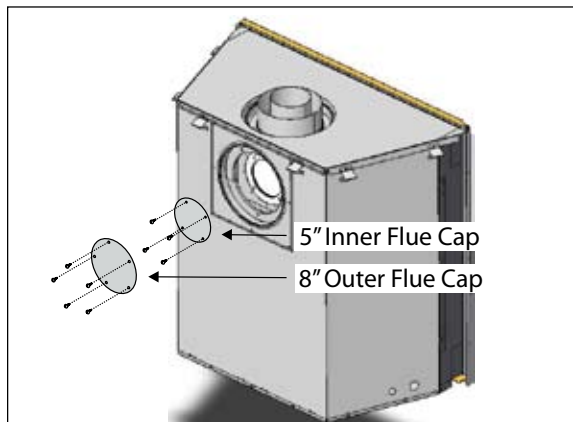


Figure 7a. Flue cap installation for Top Vented fireplace.

3. Install the flue gasket material and flue cover plate on the rear vent outlet . Fasten the plate with four screws, as illustrated below.
4. Install the 4" or 5" inner flue collar and the 7" or 8" outer flue collar in place on the top vent outlet using 5 screws, as illustrated below.

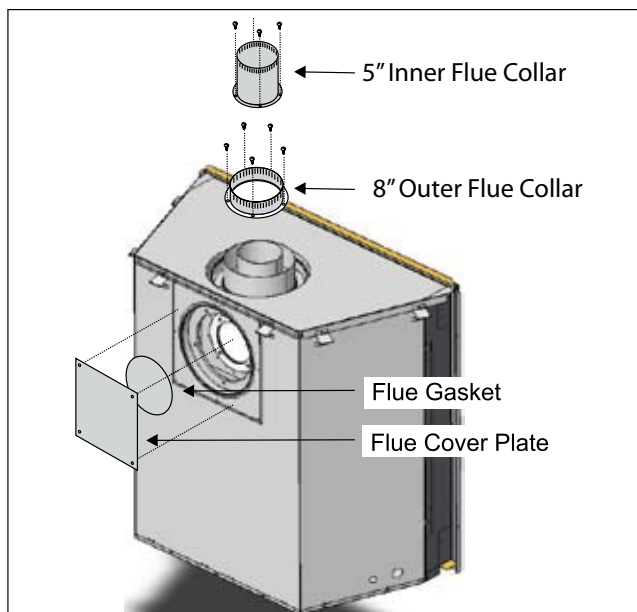


Figure 7b. Flue collar installation for Top Vented fireplace.

Important: Natural Gas and Propane equipped models may be installed using Top or Rear Vent applications. **However, the Propane equipped H42DL models must be installed in a top vent application only.**

H-Series DL Rear Vent

Use the following instructions to convert an H-Series DL for Top Vent use:

1. Install the 4" or 5" inner flue cap on the top flue outlet and secure the cap in place with five screws, as shown in figure 8a.
2. Install the 7" or 8" outer flue cap on the top flue outlet, and secure it with five screws, as shown in figure 8a.

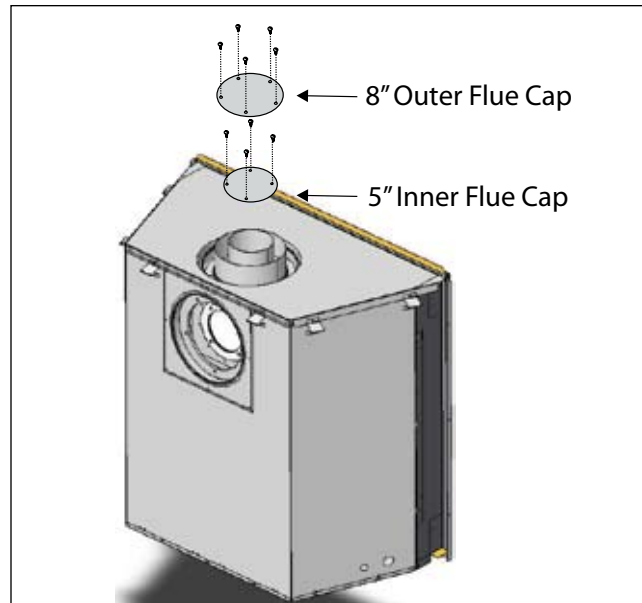


Figure 8a. Flue cap installation for Rear Vented fireplace.

3. Install the flue gasket material and flue cover plate on the top vent outlet. Fasten the plate with four screws, as illustrated in figure 8b.
4. Install the 4" or 5" inner flue collar and the 7" or 8" outer flue collar in place on the rear vent outlet using 5 screws, as illustrated below.

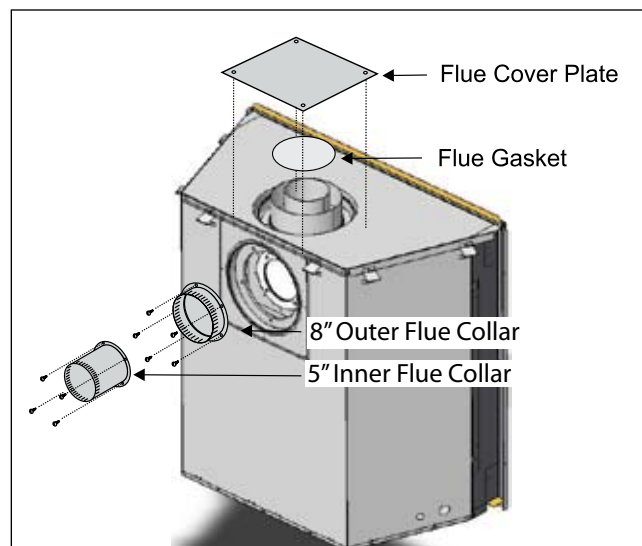


Figure 8b. Flue collar installation for Rear Vented fireplace.

Installation



Top Vent Venting Runs

For the H-series DL Top Vent, there are two types of installations: A) Through-The-Wall Installations and B) Vertical (Through-The-Roof) Installations.

A) Through-The-Wall Installations

Before you install any venting, you must determine whether the venting run will be acceptable. Unacceptable venting can affect the fireplace's combustion.

The Venting Graph

Measure the vertical height from the fireplace hearth to the centre of the termination and the horizontal run from the fireplace flue collar to the wall flange of the termination. Plot on the Venting Graph (Fig. 9a) with an 'X'.

If the 'X' falls on or above the top boundary of the shaded area, the installation is acceptable.

H34DL

H34DL

Example A: (Acceptable Installation)

If the vertical dimension from the hearth is 108" and the horizontal run to the wall flange of the vent termination is 180", this would be an acceptable installation.

Example B: (Acceptable Installation)

If the vertical dimension from the hearth is 48" and the horizontal run to the wall flange of the vent termination is 72", this would be an acceptable installation.

Example C: (Unacceptable Installation)

If the vertical dimension from the floor of the fireplace is 60" and the horizontal run to the wall flange of the vent termination is 144", this would **NOT** be an acceptable installation.

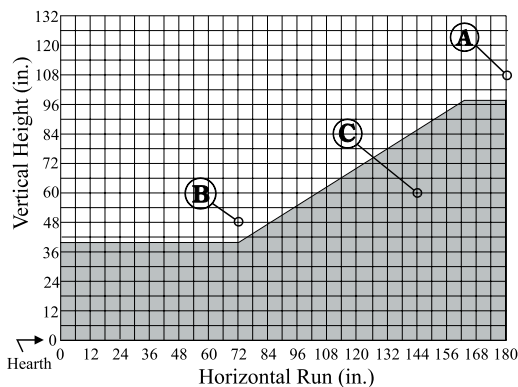


Figure 9a. H34DL Top Vent Venting Graph

H38DL

H38DL

Example A: (Acceptable Installation)

If the vertical dimension from the hearth is 84" and the horizontal run to the wall flange of the vent termination is 36", this would be an acceptable installation.

Example B: (Acceptable Installation)

If the vertical dimension from the hearth is 90" and the horizontal run to the wall flange of the vent termination is 126", this would be an acceptable installation.

Example C: (Unacceptable Installation)

If the vertical dimension from the floor of the fireplace is 74" and the horizontal run to the wall flange of the vent termination is 108", this would **NOT** be an acceptable installation.

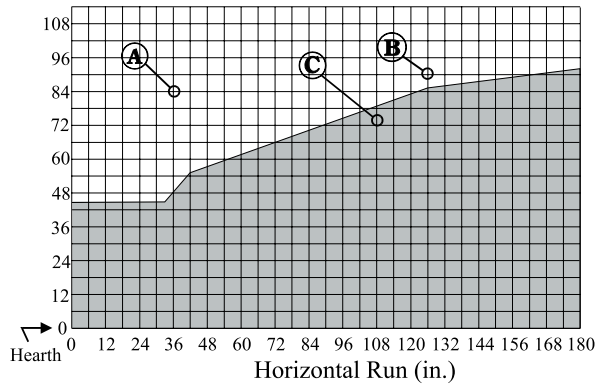


Figure 9b. H38DL Top Vent Venting Graph

H42DL

H42DL

Example A: (Acceptable Installation)

If the vertical dimension from the hearth is 84" and the horizontal run to the wall flange of the vent termination is 36", this would be an acceptable installation.

Example B: (Acceptable Installation)

If the vertical dimension from the hearth is 108" and the horizontal run to the wall flange of the vent termination is 120", this would be an acceptable installation.

Example C: (Unacceptable Installation)

If the vertical dimension from the floor of the fireplace is 72" and the horizontal run to the wall flange of the vent termination is 84", this would **NOT** be an acceptable installation.

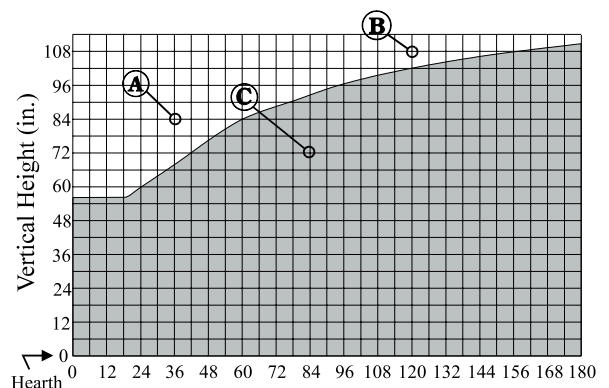


Figure 9c. H42DL Top Vent Venting Graph

NOTES:

All dimension lengths for vertical or horizontal runs are measured from centre of the vent pipe.

Venting runs *must* fall within the limits set by the venting graph (see Figure 9c).



Installation

Available Top Vent Components

The following venting components are available for the H38DL Top Vent:

	4" / 7" Venting	5" / 8" Venting
A - Termination	MTO-3 (3" Length) MTO-3F (3" Length)	PTO-3 (3" Length) PTO-3F (3" Length)
B - Stucco Kits	MSR (Stucco Frame) MOSR (Stucco Can) BSR (Brick Can)	MSR (Stucco Frame) MOSR (Stucco Can) BSR (Brick Can)
C - Flex Sections	MFL-1 (12" Section) MFL-2 (24" Section) MFL-3 (36" Section) MFL-4 (48" Section)	PFL-1 (12" Section) PFL-2 (24" Section) PFL-3 (36" Section) PFL-4 (48" Section)
D - Rigid Sections	MEXT-1 (12" m/f Section) MEXT-2 (24" m/f Section) MEXT-3 (36" m/f Section) MEXT-4 (48" m/f Section)	PEXT-1 (12" m/f Section) PEXT-2 (24" m/f Section) PEXT-3 (36" m/f Section) PEXT-4 (48" m/f Section)
E - Elbows	MEL-90MM (m/m 90° Elbow) MEL-90FF (f/f 90° Elbow) MEL-90FM (f/m 90° Elbow)	PEL-90MM (m/m 90° Elbow) PEL-90FF (f/f 90° Elbow) PEL-90FM (f/m 90° Elbow)

NOTES: All dimension lengths for vertical or horizontal runs are measured from centre of the vent pipe.

Venting runs *must* fall within the limits set by the venting graph (see Figure 9c).

Example 1:

For our shortest venting configuration use components A and E (see Figure 9a).

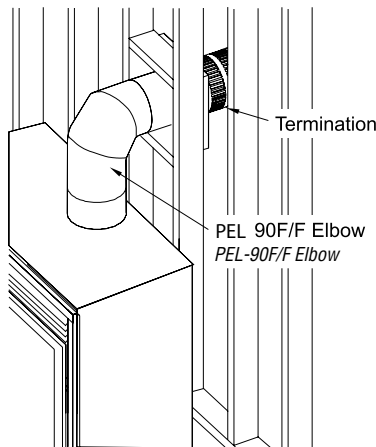


Figure 10. Typical Top Vent installation. If the 90° elbow is installed directly on the fireplace, for height to the center of the termination see chart on **page 3**.

Important:

An inspection of the explosion relief flappers and door must be made prior to lighting the fireplace. This will ensure the door gasketing material will provide an adequate seal during operation.

Horizontal Venting

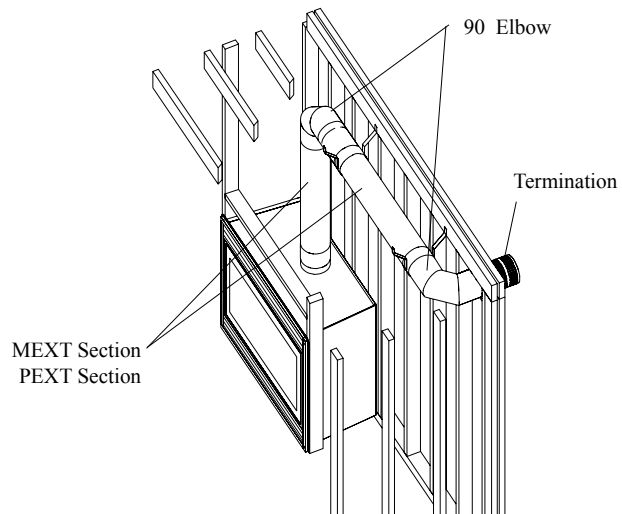


Figure 11. Typical Top Vent installation. The solid sections can be used in various combinations to obtain the desired vent run. The vent run must fall within the limits set by the venting graph.

Example 2:

Rigid sections and an elbow used in conjunction with 3 ft. flex section (MFL-3 / PFL-3) will, when extended in a five foot chase, allow for a maximum horizontal run of twelve and one-half feet from the centre of the fireplace to outside wall and a minimum of 7'6" when retracted in opposite direction (see Figure 12 and 13).

"C" flex sections and "D" rigid sections may be used in conjunction with one another to obtain different possible horizontal length installations. **NOTE:** Flex section with no vertical rise must not exceed maximum horizontal length of 3 feet (see Figure 14). Flex runs over 3 feet must fall within the limits set by the venting graph, and must have a minimum vertical rise of 3" per foot of flex.

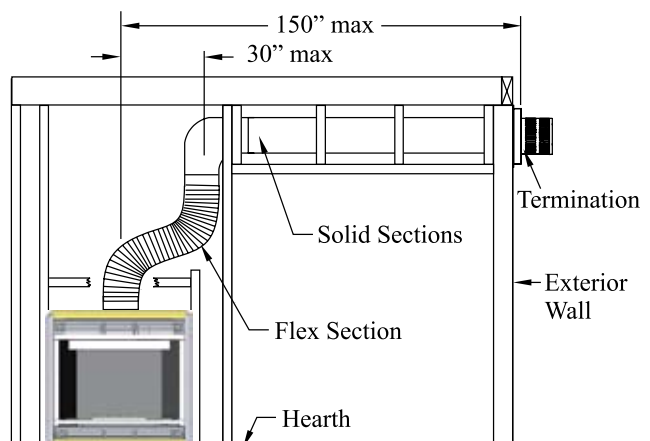


Figure 12. Extended Installation using a combination of solid and flex venting. Use the vent graph to determine your allowable run, then select appropriate components.

Installation

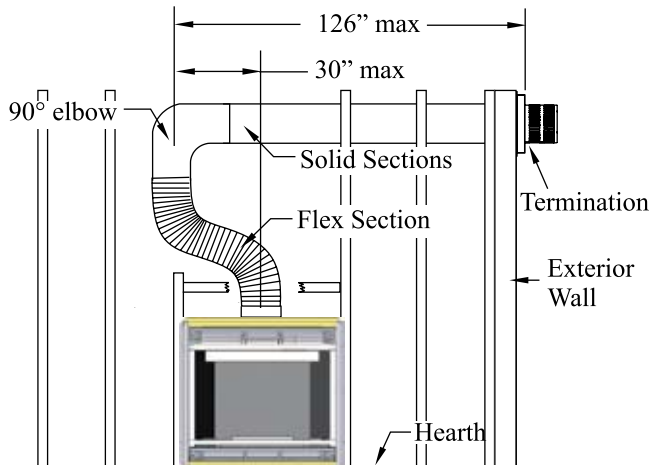


Figure 13. Retracted Installation using a combination of solid and flex venting. Use the vent graph to determine your allowable run, then select appropriate components.

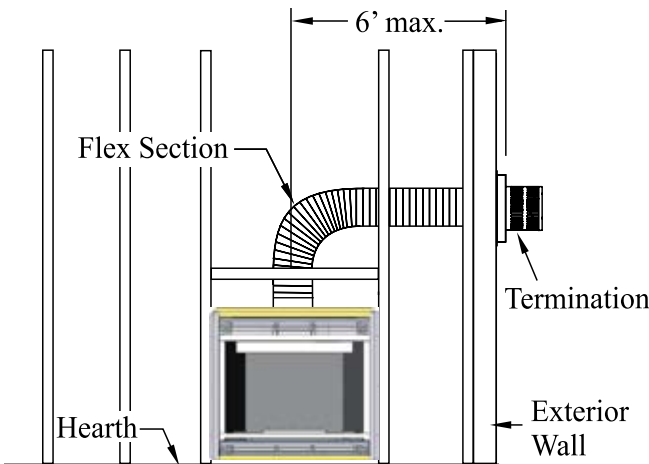


Figure 14. Horizontal flex installation with no vertical rise.

B. Vertical (Through-The-Roof) Installations 5/8" with option for 4/7" (on applicable models)

- Vertical rise >12' can be reduced (on applicable models).
- Vertical Terminations must be installed:
 - minimum 2' (two feet) above the highest point where vent passes through the roof.
 - minimum 6' (six feet) from a mechanical air inlet
 - minimum 18" (1 1/2 feet) from a parapet wall.
- Maximum vent height is:
 - H34DL** 32 feet above fireplace.
 - H38DL** 35 feet above fireplace.
 - H42DL** 35 feet above fireplace.

Note: Flame characteristics will change if the maximum vent height is used.
- Minimum clearances 2" from vent to all combustible materials must be maintained.

- A maximum of two offsets (each offset has two 90° bends) may be made and shall not exceed total length of 25% of the vertical vent height, when measured center to center of piping.

Example: Typical vent installation.
 20' vertical vent
 2 - 2' offsets required
 25% of 20' = 5' max. offset allowed
 This venting configuration meets requirements.

	4" / 7" Venting	5" / 8" Venting
A - Termination	MVTK-1	PVTK-1
B - Flex Sections	MFL-1 (12" Section) MFL-2 (24" Section) MFL-3 (36" Section) MFL-4 (48" Section)	PFL-1 (12" Section) PFL-2 (24" Section) PFL-3 (36" Section) PFL-4 (48" Section)
C - Rigid Sections	MEXT-1 (12" m/f Section) MEXT-2 (24" m/f Section) MEXT-3 (36" m/f Section) MEXT-4 (48" m/f Section)	PEXT-1 (12" m/f Section) PEXT-2 (24" m/f Section) PEXT-3 (36" m/f Section) PEXT-4 (48" m/f Section)
D - Support Ring & Plate	MSPXT-8	PSPXT-8
E - Firestop	FS-8	PS-8
F - Roof Flashing	MRF-7 (1/12 - 7/12 pt.) MRF-12 (7/12 - 12/12 pt.)	PRF-7 (1/12 - 7/12 pt.) PRF-7 (7/12 - 12/12 pt.)
G - Adaptor / Vent Reducer		PVA5487 (5"/8" to 4"/7")

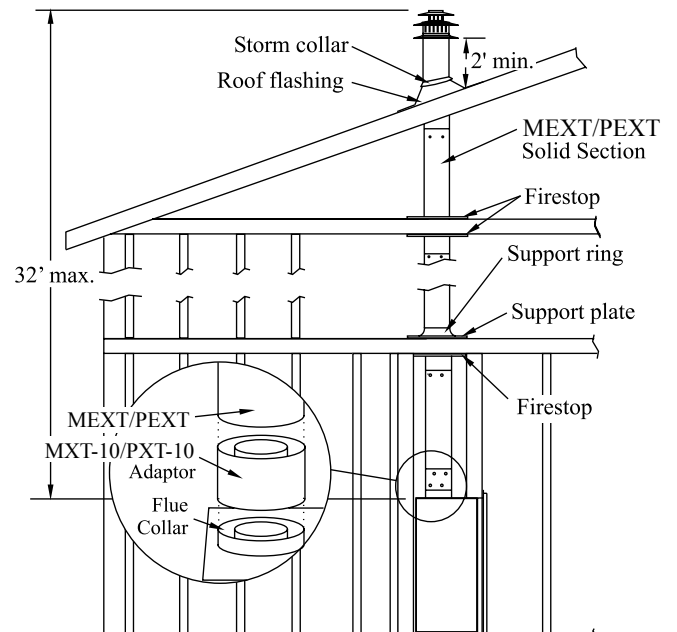


Figure 15. Straight, vertical venting showing required MXT-10 adaptor (supplied with the PVTK-1 termination).

Installation

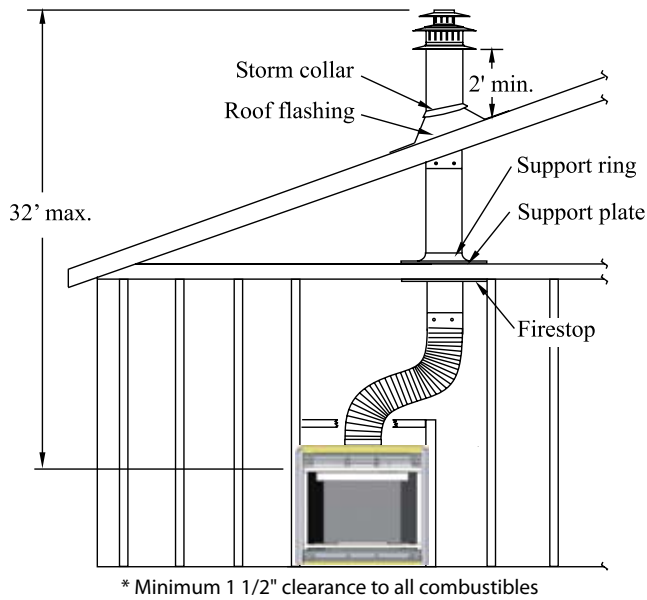


Figure 16. Vertical venting with 1 offset (1 offset= two 90° bends).

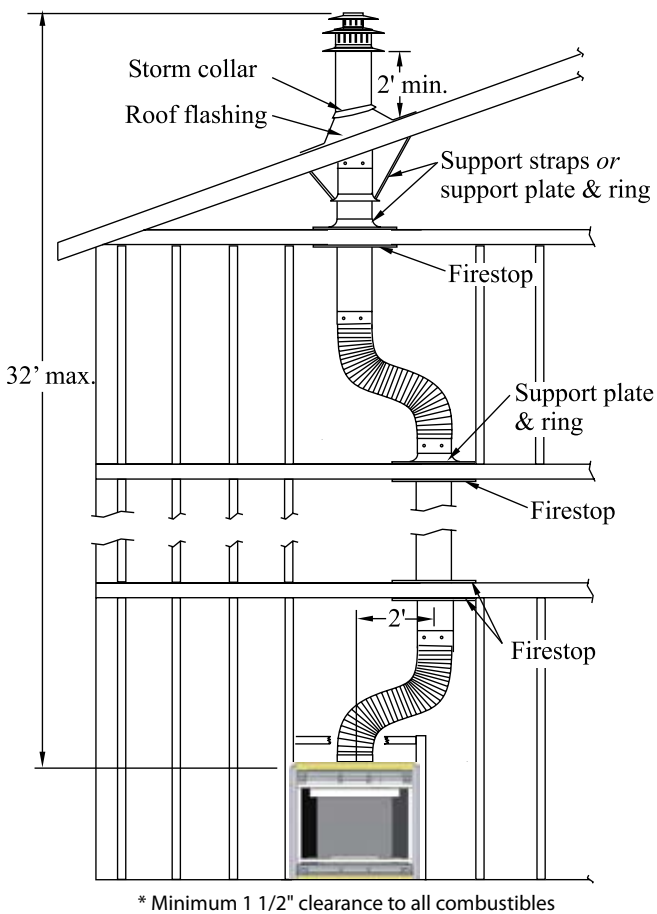


Figure 17. Vertical venting with 2 offsets (1 offset= two 90° bends).

Reduced Vertical Installation

It is possible to reduce vertical vent runs from 5" / 8" venting to 4" / 7" venting. Reduced vertical venting may only be used when the installation exceeds 12 feet and terminates through the roof, and if the vertical vent reducer is used with the following venting configuration.

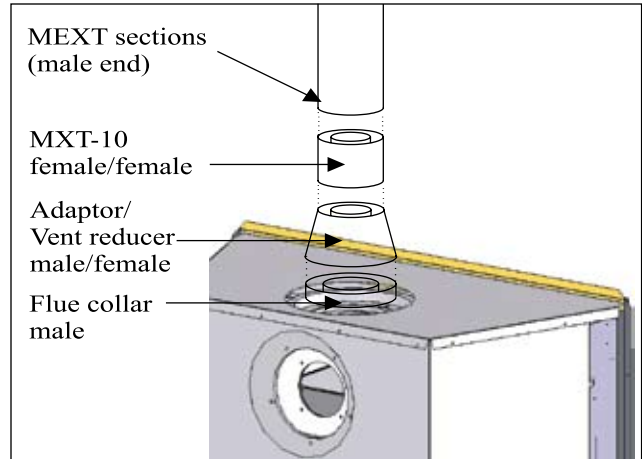


Figure 18. Reducing Vertical Vent from 5/8" to 4/7".

Installation



Rear Vent Venting Runs

The H-Series DL Rear Vent has three possible installations which do not require vertical lift, all of these installations require that you install the RHS101 heat shield. **Important: Rear Vent applications are only for applicable models. Please refer to page 2 of this manual for details on which models may be used in a rear vent application.**

Heat Shield

The heat shield (RHS101) must be used on **all installations straight through the wall**, at the point where the vent pipe connects to the termination. With the heat shield, proper vent clearances can be maintained. **The heat shield is not included with the fireplace.**

To install the heat shield, slide one section over the vent pipe on the inside of the wall opening, with the circular portion *inside the wall cavity*. Screw the shield in place over the wall opening. Install the second section on the outside of the wall opening sliding the circular portion into the wall opening. Refer to Figure 19.

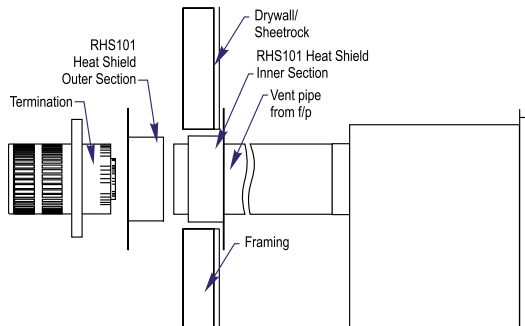


Figure 19. Heat Shield. Install by sliding over the vent pipe where it passes through combustible construction.

1. Straight Installation.

The height from the hearth to the center of the termination is 21 3/4". For straight installations use a 12" extension pipe (PXT-12) with female/female connections. For shorter installations, cut the PXT-12 to the desired length. Refer to figure 20.

Ensure that the RHS101 heat shield is installed before attaching the pipe to the termination.

Note: For Rear Vent models, maximum horizontal run with no vertical lift must never exceed 12".

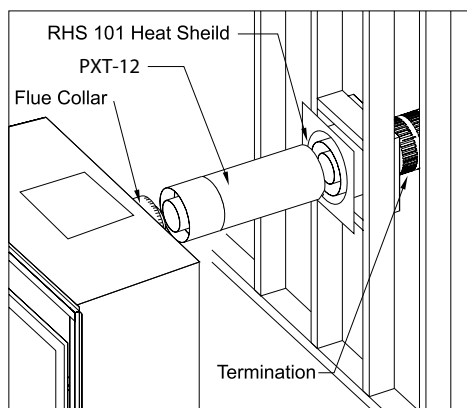


Figure 19. Extended installation. (Applicable Models Only)

2. 45° Corner Installation.

Attach an EEL-45/PEL-45 (45° elbow) directly onto the flue collar. Cut the EXT-18/PXT-20 to suit, and attach it to the EEL-45/PEL-45. Slide the fireplace into position and attach to the termination.

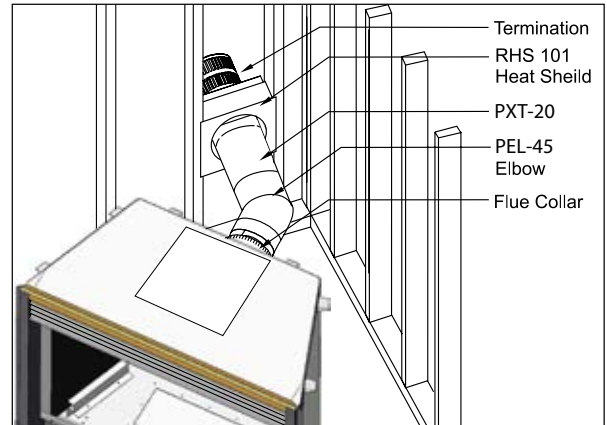


Figure 20. Corner installation. (Applicable Models Only)

3. Corner Installation — 45° or less.

Use an PTO-3 termination and an PFL-1 or 2/PFL-2 (12" or 24" compressed length) and a frame, if appropriate. Flex may be turned to obtain desired degree of angle required but must not exceed 45°.

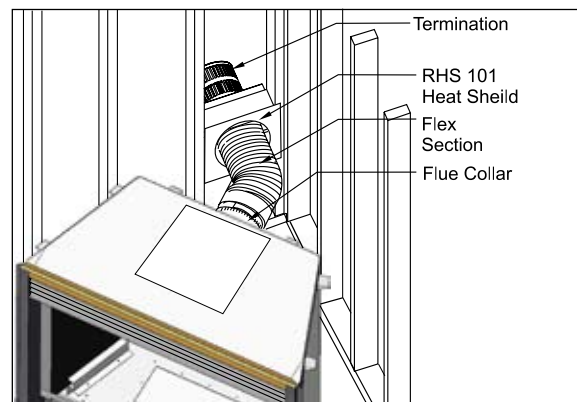


Figure 21. Flex installation. (NG Models Only)

Note: Through the wall venting kits are also available for both the Straight and the Corner Installation. The Kit includes a heat shield, a PFL-18 (f/f) flexible pipe, and a termination with or without a mounting frame.

Important: Some models are not available to be installed in a rear vent application. Please refer to the model specifications on page 2 of this manual.

Installation

B. Multi-Elbow Installations

For more difficult installation situations, the H-Series DL Rear Vent may be installed with two - 90° elbows and up to 15' of horizontal run. If using this installation option, you must adhere to the following guidelines:

Important: Some models are not available to be installed in a rear vent application. Please refer to the model specifications on page 2 of this manual.

- the first 90° elbow must be placed directly on the flue collar
- you must have a minimum vertical lift of 50" (measured from the hearth)
- your vent run must fall within the limits set by Figure 22a

Before you install any venting, you must determine whether the venting run will be acceptable. Unacceptable venting can affect the fireplace's combustion.

The Venting Graph

Measure the vertical height from the fireplace hearth to the centre of the termination and the horizontal run from the fireplace flue collar to the wall flange of the termination. Plot on the Venting Graph (Fig. 22a) with an 'X'.

If the 'X' falls on or above the top boundary of the shaded area, the installation is acceptable.

H34DL

H34DL

Example A: (Acceptable Installation)

If the vertical dimension from the hearth is 84" and the horizontal run to the wall flange of the vent termination is 36", this would be an acceptable installation.

Example B: (Acceptable Installation)

If the vertical dimension from the hearth is 94" and the horizontal run to the wall flange of the vent termination is 126", this would be an acceptable installation.

Example C: (Unacceptable Installation)

If the vertical dimension from the floor of the fireplace is 78" and the horizontal run to the wall flange of the vent termination is 108", this would **NOT** be an acceptable installation.

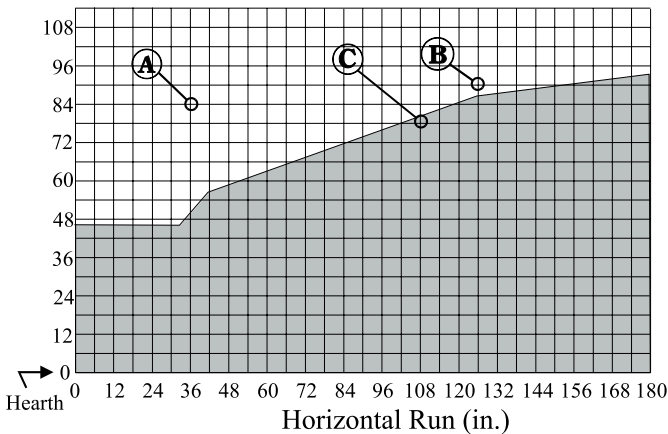


Figure 22a. H34DL Multi-Elbow Venting Graph. (Applicable Models)

H38DL

H38DL

Example A: (Acceptable Installation)

If the vertical dimension from the hearth is 84" and the horizontal run to the wall flange of the vent termination is 36", this would be an acceptable installation.

Example B: (Acceptable Installation)

If the vertical dimension from the hearth is 90" and the horizontal run to the wall flange of the vent termination is 126", this would be an acceptable installation.

Example C: (Unacceptable Installation)

If the vertical dimension from the floor of the fireplace is 78" and the horizontal run to the wall flange of the vent termination is 108", this would **NOT** be an acceptable installation.

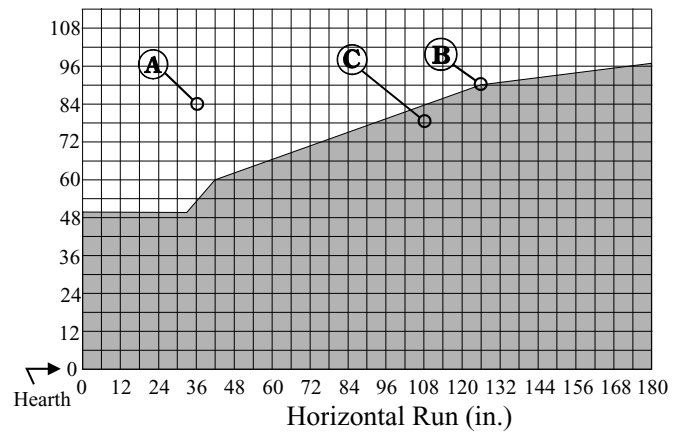


Figure 22b. H38DL Multi-Elbow Venting Graph. (Applicable Models)

Installation



H42DL

H42DL

Example A: (Acceptable Installation)

If the vertical dimension from the hearth is 84" and the horizontal run to the wall flange of the vent termination is 36", this would be an acceptable installation.

Example B: (Acceptable Installation)

If the vertical dimension from the hearth is 90" and the horizontal run to the wall flange of the vent termination is 126", this would be an acceptable installation.

Example C: (Unacceptable Installation)

If the vertical dimension from the floor of the fireplace is 78" and the horizontal run to the wall flange of the vent termination is 108", this would **NOT** be an acceptable installation.

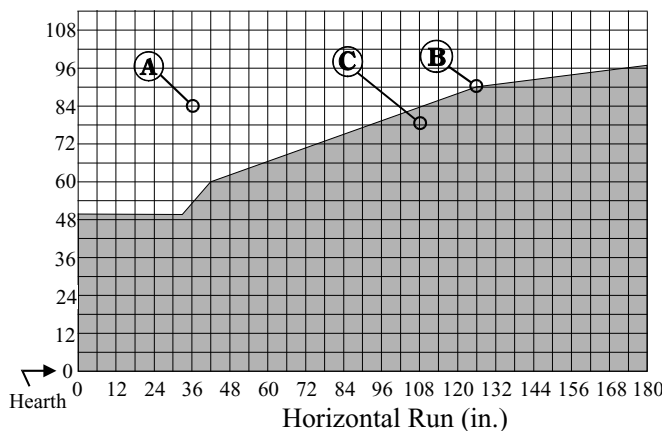


Figure 22c. H42DL Multi-Elbow Venting Graph. (Applicable Models)

Installation Of Rear Vent DV

The following venting components are available for an H-Series DL in a Rear Vent installation:

	4" / 7" Venting	5" / 8" Venting
A - Termination	MTO-3 (3" Length) MTO-3F (3" Length)	PTO-3 (3" Length) PTO-3F (3" Length)
B - Stucco Kits	MSR (Stucco Frame) BSR-4 (4" Brick Frame) BSR-6 (6" Brick Frame) MOSR (Stucco Can)	MSR (Stucco Frame) BSR-4 (4" Brick Frame) BSR-6 (6" Brick Frame) MOSR (Stucco Can)
C - Flex Sections	MFL-1 (12" Section) MFL-2 (24" Section) MFL-3 (36" Section) MFL-4 (48" Section)	PFL-1 (12" Section) PFL-2 (24" Section) PFL-3 (36" Section) PFL-4 (48" Section)
D - Rigid Sections	MEXT-1 (12" m/f Section) EXT-18 (18" f/f section) MEXT-2 (24" m/f Section) MEXT-3 (36" m/f Section) MEXT-4 (48" m/f Section)	PEXT-1 (12" m/f Section) PXT-20 (20" section) PEXT-2 (24" m/f Section) PEXT-3 (36" m/f Section) PEXT-4 (48" m/f Section)
E - Elbows	MEL-90MM (m/m 90° Elbow) MEL-90FF (f/f 90° Elbow) MEL-90FM (f/m 90° Elbow) EEL-45 (f/m 45° Elbow)	PEL-90MM (m/m 90° Elbow) PEL-90FF (f/f 90° Elbow) PEL-90FM (f/m 90° Elbow) PEL-45FM (f/m 45° Elbow)

NOTES:

All dimension lengths for vertical or horizontal runs are measured from center of the vent pipe.

Venting runs *must* fall within the limits set by the venting graph (see Figure 22a).

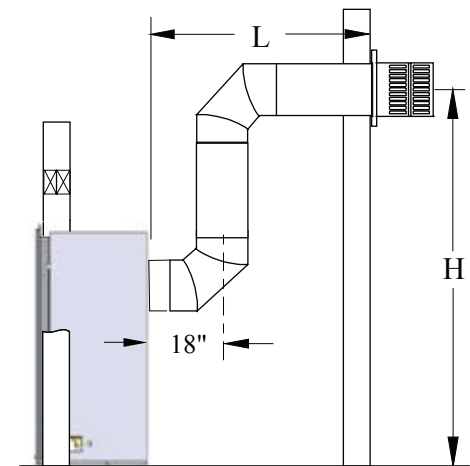


Figure 23. Multi-elbow installation. (Applicable Models Only)
For H34DL distance 'H' must be a minimum of 46". For H38DL and H42DL distance 'H' must be a minimum of 50". The vent run must comply with figure 22a.



Installation

Finishing Around the Fireplace

Combustible mantels and mouldings may be safely installed over the top and on the front of the fireplace provided that they do not project beyond shaded area shown in **Figure 24**. Side wall clearances are 3". Combustible surrounds may be installed with 3" clearance to the side of the fireplace as shown in **Figure 25**.

Fireplace Facing

When selecting the finish material for your fireplace, it is important to remember the following: **DO NOT OBSTRUCTED THE FRONT FACE OF THE FIREPLACE IN ANY WAY - to do so restricts the air supply for the control compartments and heat exchanger it also prevents access for servicing controls.**

The face of the fireplace may be painted to match the room decor, provided you use a heat-resistant paint. Decorative facing must not extend past the fireplace opening at all, because it will interfere with the access to retainers for removal of glass door.

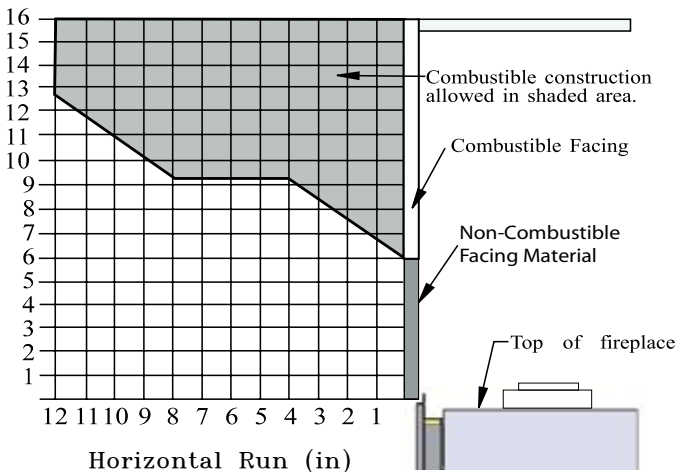


Figure 24. Combustible mantels and facings.

Mantels & Surrounds

NOTE: National Canadian Gas Association mantel test requirements are for fire hazard prevention to combustible materials.

New technology, to meet consumer and government demands for the wise use of energy, has prompted us to manufacture many models of fireplaces which are hot, fuel and energy efficient.

Please be aware; temperatures over the mantel will rise above normal room temperature and walls above fireplace may be hot to touch.

Warning:

When covering the upper metal portion of the fireplace, up to 6" (as shown, Fig. 24 & Fig. 25) with a non-combustible material Please Note: The decorative facing materials may be subject to temperatures in excess of 250° F. This should be considered when selecting facing materials.

We recommend careful consideration be given to the effects of elevated mantel temperatures which may be in excess of product design, for example: candles, plastic or pictures. This can cause melting, deformation, discoloration or premature failure of T.V. and radio components.

Mantels & Surrounds

NOTE: National Canadian Gas Association mantel test requirements are for fire hazard prevention to combustible materials.

New technology, to meet consumer and government demands for the wise use of energy, has prompted us to manufacture many models of fireplaces which are hot, fuel and energy efficient.

Please be aware; temperatures over the mantel will rise above normal room temperature and walls above fireplace may be hot to touch.

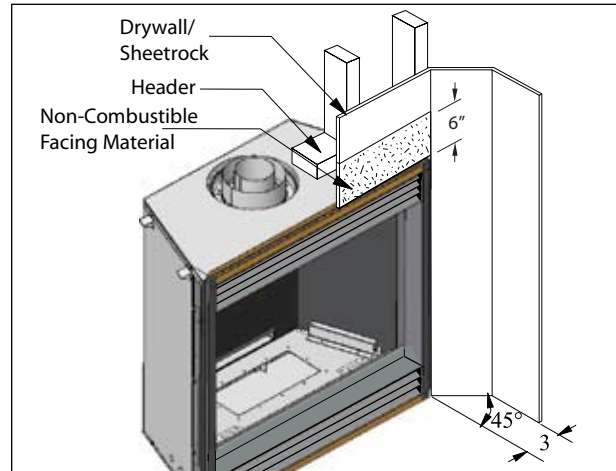


Figure 25. Combustible surrounds.

Wiring

Gas Control and Pilot Wiring

H-Series DL-I

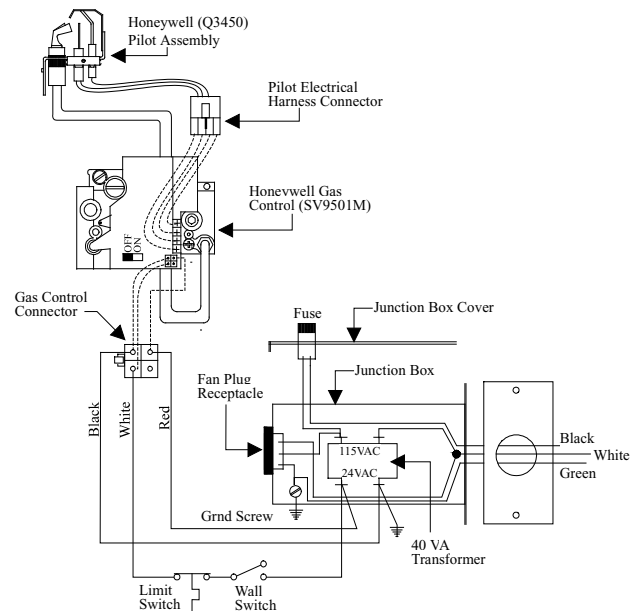


Figure 26. Wiring for the H-Series DL-I with Honeywell gas control and pilot.

Installation



Wiring for the optional Fan Kit

All H-Series DL fireplaces may be equipped with optional fan kits for circulating heat into the living space.

Installations in Canada which employ the fans must be electrically grounded in accordance with **CSA C22.1** Canadian Electrical Code Part 1 and/or Local Codes.

Installations in the USA which employ the fans must be grounded in accordance with local codes or, in the absence of local codes, with the National Electrical Code, **ANSI/NFPA 70-1987**.

For more information see the **Fan Kit Installation Guide** included with the fan kit.

NOTE: If any of the original wire supplied with the appliance is replaced, it must be replaced with the same type, or its equivalent.

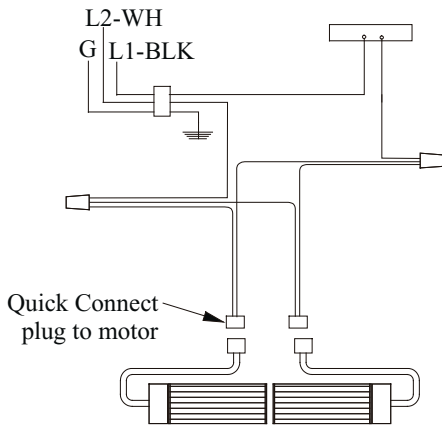


Figure 27a. Wiring for optional fans.

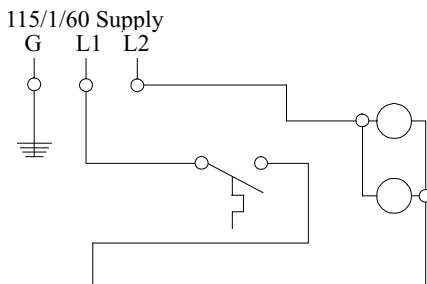


Figure 27b. Wiring schematic for optional fans.

Removing and Installing the Door

Removing the door:

The door is held in place by a lip on the top of the metal frame and two buckles at the bottom. Release the buckles and lift the door carefully up and away from the front of the fireplace. See figures 28a and 28b.

Installing the door:

Hook the top edge of the door frame into place. Lower and rest the door frame in place and fasten the buckles. See figures 28a and 28b.

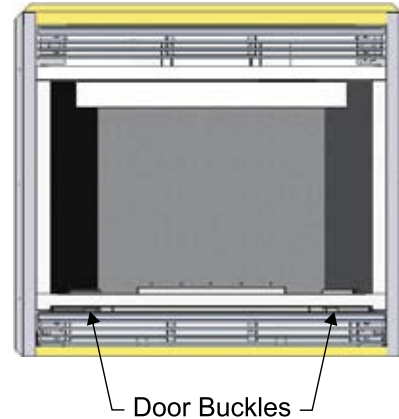


Figure 28a. Removing and installing the glass door.

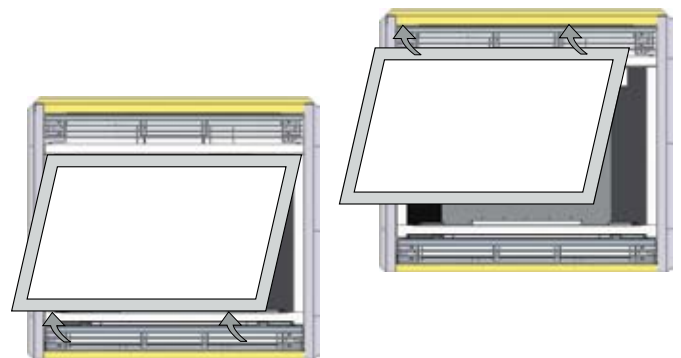


Figure 28b. Removing and installing the glass door.

Cautions:

- DO NOT OPERATE THIS FIREPLACE WITHOUT THE GLASS DOOR OR WITH A BROKEN GLASS DOOR.

H34DL Installation

Installing the Log Set

Installing the Logs:

The H-Series DL is supplied with four ceramic fibre logs and a ceramic fibre logset base. Unpack the logs and handle them very carefully.

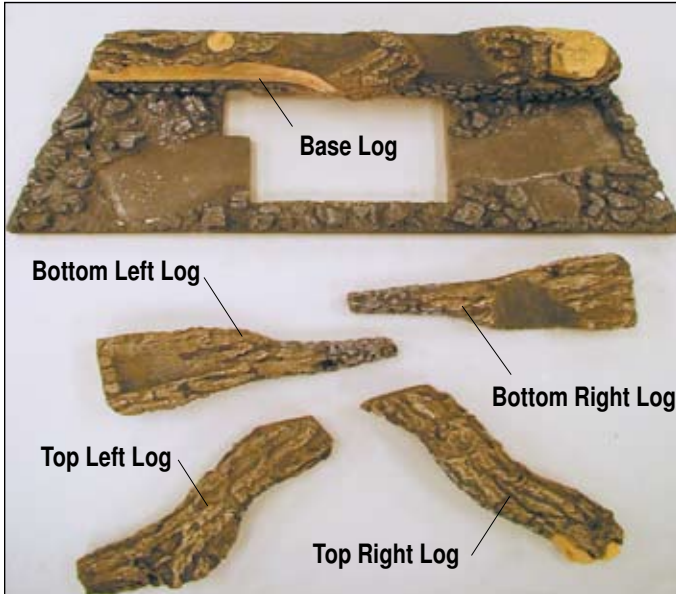


Figure 29a. H-Series DL's five piece logset.

1. Remove the glass door.
2. The base log is factory-installed, as shown below in figure 29b.



Figure 29b. Base log placement.

3. Arrange the ember chips on top of the burner tray. Care should be taken when placing the ember chips, as blocked burner ports may cause an incorrect flame pattern, carbon deposits and delayed ignition. Also, the chips must never be placed in a way that obstructs any of the air inlet ports, located at the rear of the burner, as shown in figure 29c.

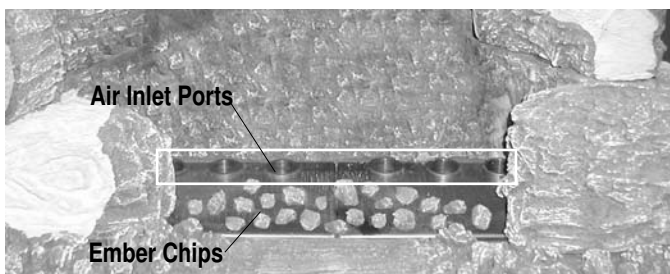


Figure 29c. Ember Chip placement.

3. Place the bottom left and right logs as shown below in figure 29d.
4. Place the top left and right logs as shown in figure 29e.

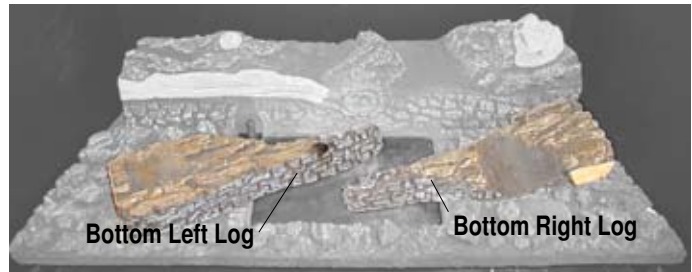


Figure 29d. Bottom left and right log placement.

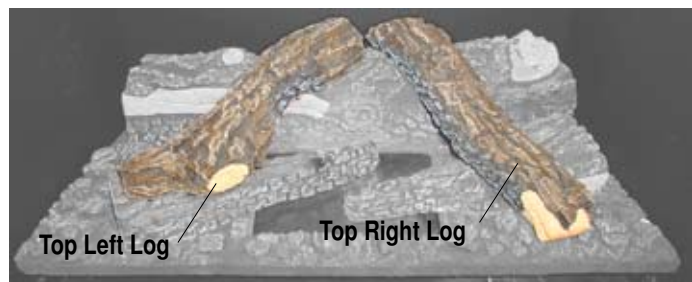


Figure 29e. Top left and right log placement.

5. Start the fireplace. If the flame appears satisfactory, replace the glass door. If the flame does not appear satisfactory, double-check the air inlet and exhaust outlet pipe to ensure that they are unobstructed.

H38DF Installation H42DF

Installing the Log Set

Installing the Logs:

The H-Series DF is supplied with a seven ceramic fibre log logset. Unpack the logs and handle them very carefully.

- Step 1. Remove the glass door as described on Page 15.

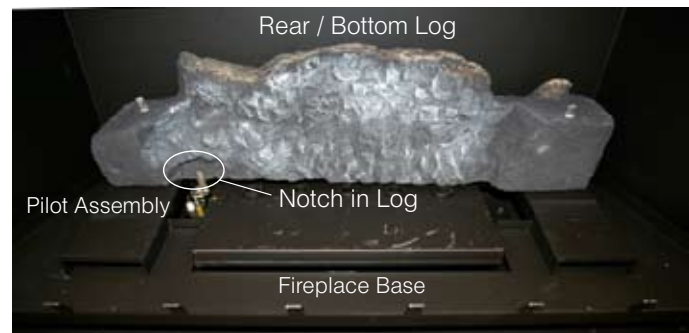


Figure 30a. Placing Bottom Rear Log.

- Step 2. Place the bottom Rear log as shown in figure 30a.

H38DL

H42DL

Installation

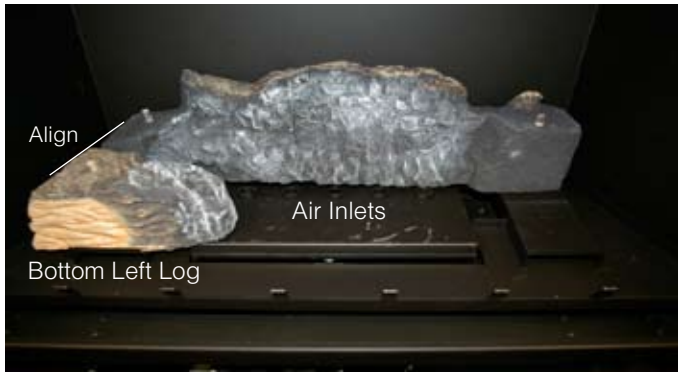


Figure 30b. Placing Bottom Left Log.

Step 3. Place the bottom Left log as shown in *figure 30b*.



Figure 30c. Placing Bottom Right Log.

Step 4. Place the bottom Right log as shown in *figure 30c*.

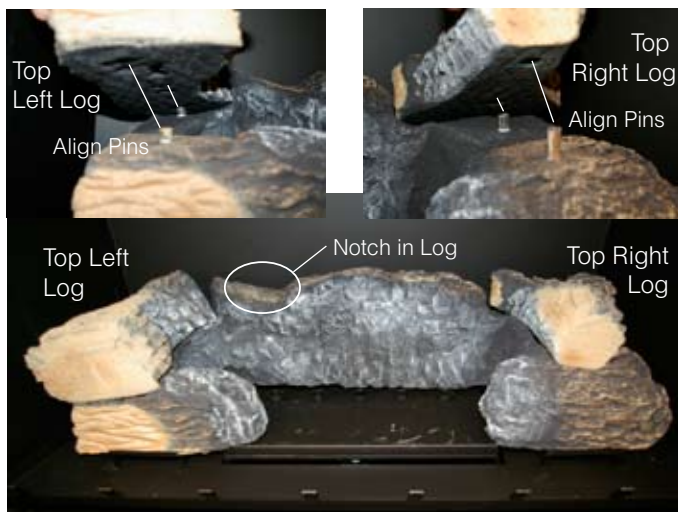


Figure 30d. Placing Top Right and Left Logs.

Step 5. Place the Top Right and Left logs using the (4) four alignment pins protruding from the top of the Right and Left Bottom Logs, as shown in *figure 30d*. With these pins align the Top Right and Left logs using the predetermined alignment holes cast into the underside of the logs, as shown above, *figure 30d* insets.

Step 6. Place the Centre Front log, *Figure 30e* below, as shown using the notch cast in the Bottom Rear log as shown in *figure 30d* above.



Figure 30e. Placing Centre Front Log.

Step 7. Place the Front Centre log as shown in *figure 30e*.

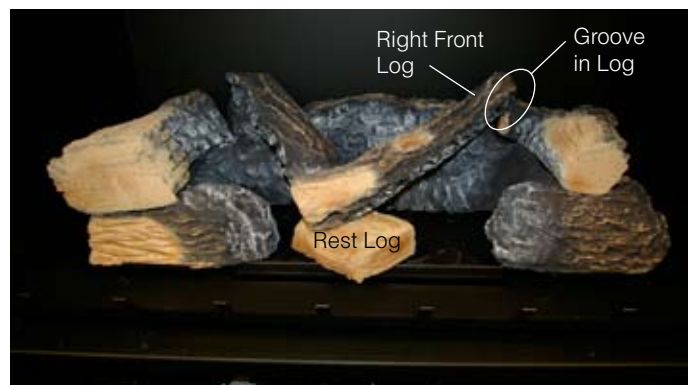


Figure 30f. Placing Right Front Log.

Step 8. Place the Right Front log as shown using the notch in the Top Right log as a guide, *figure 30f*.

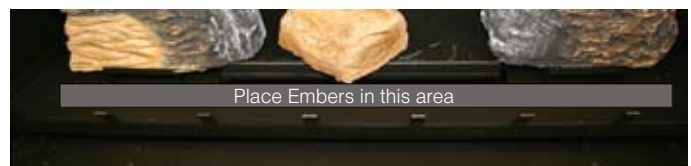


Figure 30g. Placing Embers.

Step 9. Place the Embers as shown in *figure 30g*.

Arrange the ember chips on top of the burner tray. Care should be taken when placing the embers, as blocked burner ports may cause an incorrect flame pattern, carbon deposits and delayed ignition. Also, the embers must never be placed in a way that obstructs any of the air inlet ports, located at the rear of the burner, as shown in *figure 30b*.

Cautions:

- If logs are not placed properly, excessive sooting will result.
- The surface of the logs will crack due to the heat from the flames. This is a normal occurrence.



Installation

Installing the Horizontal Louvres

1. Ensure the fireplace is turned off before beginning installation.
2. Install the upper louvre assembly as shown in figure 31a. Before tightening the screws fully, adjust the louvre assembly so that it is centred horizontally and vertically.

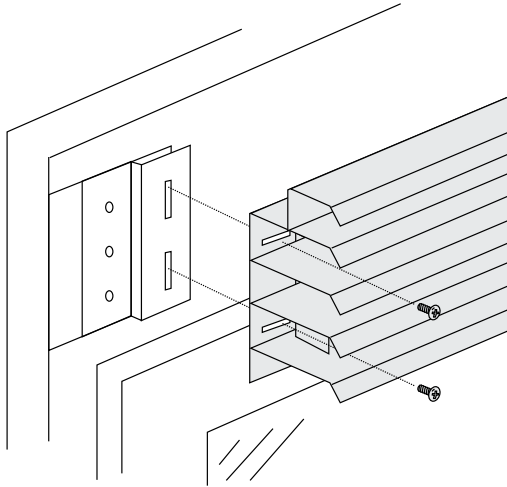


Figure 31a. *Installing the upper louvre assembly*

3. Install the lower louvre assembly. Line up the slots on each side of the bottom louvre with the hinge tabs at the base of the fireplace as shown in figure 31b.

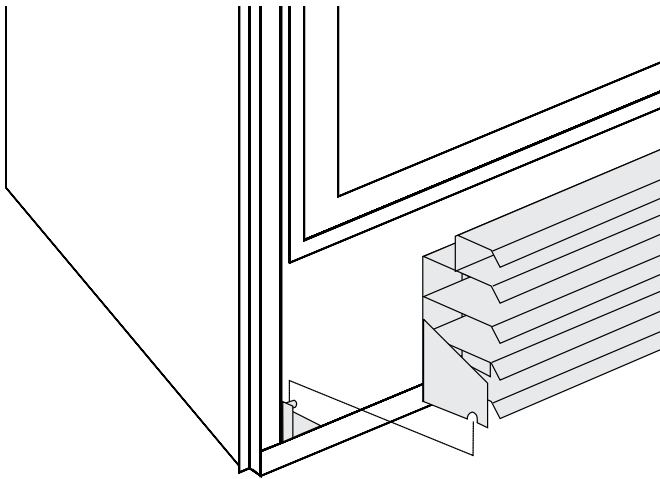


Figure 31b. *Installing the lower louvre assembly*



with Continuous Pilot

For Your Safety - READ BEFORE LIGHTING:

WARNING: If you do not follow these instructions exactly, a fire or explosion may result causing property damage, personal injury or loss of life.

- A. This appliance has a pilot which must be lighted by hand. When lighting the pilot, follow these instructions exactly.
- B. **BEFORE LIGHTING** smell all around the appliance area for gas. Be sure to smell next to the floor because some gas is heavier than air and will settle on the floor.
 - What To Do If You Smell Gas:**
 - Do not try to light any appliance.
 - Do not touch any electrical switch; do not use any phone in your building.
 - Immediately call your gas supplier from a neighbour's phone. Follow the gas supplier's instructions.
- If you cannot reach your gas supplier, call the Fire Department.
- C. Use only your hand to push in or turn the gas control knob. Never use tools. If the knob will not push in or turn by hand, don't try to repair it, call a qualified service technician. Force or attempt to repair may result in a fire or explosion.
- D. Do not use this appliance if any part has been under water. Immediately call a qualified service technician to inspect the appliance and to replace any part of the control system, and any gas control which has been under water.

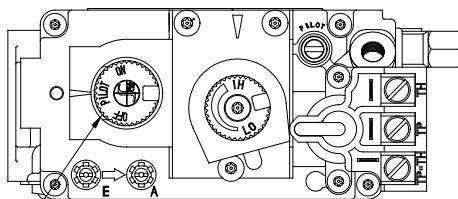
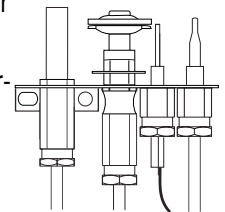
Lighting Instructions:

1. **STOP!** Read the safety information above on this label.
2. Flip down the lower trims.
3. Push in gas control knob and turn clockwise ↻ to "OFF."
4. Wait five (5) minutes to clear out any gas. Smell for gas, including near the floor. If you then smell gas, **STOP!** Follow "B" in the safety information above on this label. If you don't smell gas, go to the next step.
5. Locate pilot burner (*See illustration at right.*) and follow steps below.
6. Turn knob on gas control counter clockwise ↻ to "PILOT."
7. Push in gas control knob completely and hold. Light with Piezo

igniter button. Continue to hold the control knob in for about (1) minute after the pilot is lit. Release the knob and it will pop back up. Pilot should remain lit. If it goes out repeat steps 3 through 8.

- If knob does not pop up when released. Stop and immediately call your service technician or gas supplier.
- If the pilot will not stay lit after several tries, turn the gas control knob to "OFF" and call your service technician or gas supplier.

8. Push in gas control knob and turn counter-clockwise ↻ to "ON."
9. Flip up the lower trim.
10. Turn on remote switch to ignite fire.



Gas Control Knob
(Shown in "Pilot" position.)

NOTE: Gas control knob cannot be turned from "PILOT" to "OFF" unless knob is pushed in slightly. Do not force.

To Turn Off Gas To Appliance:

1. Turn off remote switch.
2. Flip down the lower trim.
3. Push in gas control knob slightly and turn ↻ clockwise to "Off". Do not force.
4. Flip up the lower trim.



H-Series DL-I

Operation - Model H-Series DL-I

with Honeywell Electronic Ignition

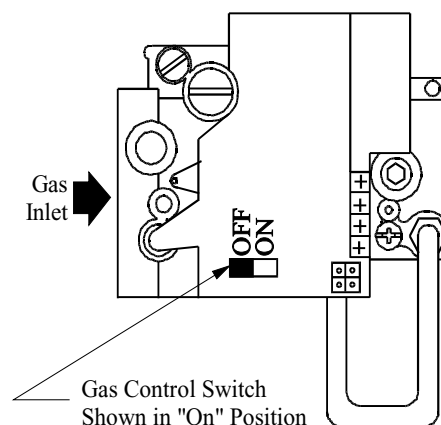
For Your Safety - READ BEFORE LIGHTING:

WARNING: If you do not follow these instructions exactly, a fire or explosion may result causing property damage, personal injury or loss of life.

- A.** This appliance is equipped with an ignition system that lights the pilot burner automatically. **Do not attempt to light the pilot by hand.**
- B. BEFORE LIGHTING** smell all around the appliance area for gas. Be sure to smell next to the floor because some gas is heavier than air and will settle on the floor.
- What To Do If You Smell Gas:**
- Do not try to light any appliance.
 - Do not touch any electrical switch; do not use any phone in your building.
 - Immediately call your gas supplier from a neighbour's phone. Follow the gas supplier's instructions.
- If you cannot reach your gas supplier, call the Fire Department.
- C.** Use only your hand to push in or turn the gas control knob. Never use tools. If the knob will not push in or turn by hand, don't try to repair it, call a qualified service technician. Force or attempt to repair may result in a fire or explosion.
- D.** Do not use this appliance if any part has been under water. Immediately call a qualified service technician to inspect the appliance and to replace any part of the control system, and any gas control which has been under water.

Lighting Instructions:

1. **STOP!** Read the safety information above on this label.
2. Flip down the lower trims.
3. Turn switch on the gas control to "OFF".
4. Wait 5 minutes to clear out any gas. If you smell gas, **STOP!** Follow "B" in the safety information above on this label. If you don't smell gas, go to the next step.
5. Turn switch on the gas control to "ON". **NOTE:** This unit is equipped with an ignition system that lights the pilot burner automatically. **Do not attempt to light the pilot by hand.**
6. Turn on wall switch.
7. Flip up the lower trim.
8. If the fireplace does not operate, follow the instructions "To Turn Off Gas To Appliance" and call your service technician or gas supplier.



To Turn Off Gas To Appliance:

1. Turn off remote switch.
2. Flip down the lower trim.
3. Turn the switch on the gas control to "Off".
4. Flip up the trim.

Operation



Lighting Instructions

See pages 19 and 20.

Burner Adjustment

The H-Series DL is equipped with an adjustable burner, allowing you to raise or lower the flames. To adjust the flames, locate the black knob marked 'Hi-Lo', in the centre of the gas control valve (See Figure 32). The front burners are not adjustable.

- To raise the flame height, turn the black knob (located behind the lower trim) **counter-clockwise**.
- To lower the flame height, turn **clockwise**.

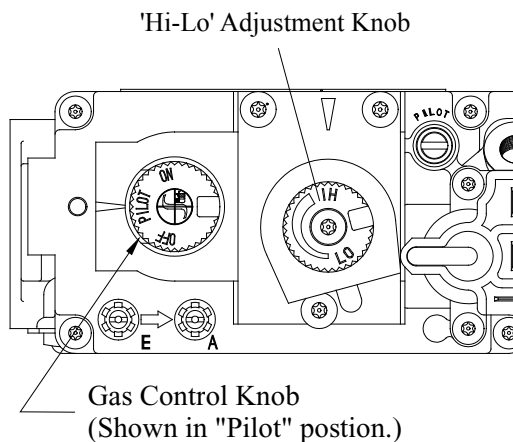


Figure 32. 'Hi-Lo' Adjustment on the H-Series DL's gas valve.

Note: H-Series DL-I models (electronic ignition) do not feature hi/lo adjustment.

CAUTIONS

- Fireplace gas control must be in the "OFF" position and pilot and main burners extinguished when cleaning appliance with a vacuum.
- Doors and logs can get very hot. Handle only when cool.

Maintenance



General

- **Have the fireplace and installation inspected yearly.** The inspection must include, but is not limited to, the following:
 - A visual check of the entire vent system and termination.
 - An inspection of the explosion relief flappers and the door gasketing to ensure a proper seal.
 - An inspection of the burner, venturi, and primary air openings.
 - An inspection of the gas valve, gas components, and pilot flame. For your convenience a 1/8" manifold pressure tap is supplied on the gas valve for a test gauge connection. See Figure 32.
 - Ensure proper log placement as per this manual.
 - Inspection of all optional equipment; fans, thermostats, etc.
- For **Natural Gas** this appliance requires a minimum inlet pressure of 5.5" W.C. and a manifold pressure of 3.5" W.C.
- For **Propane Gas** this appliance requires a minimum inlet pressure of 11" W.C. and a manifold pressure of 10" W.C.
- Always keep the fireplace area clear and free of combustible materials, as well as gasoline and other flammable vapors and liquids.
- Do not use this appliance if *any part has been underwater*. Immediately call a qualified service technician to inspect the appliance and to replace any part of the control system and any gas control which has been under water.

Cleaning

When the fireplace is first activated, there may be some smoking and a visible film may be left on the glass. This is a normal condition, and is the result of burning of protective coatings on new metal.

- Glass must be cleaned periodically to remove any film (which is a normal by-product of combustion) which may be visible. Film can easily be removed by removing the door, as shown on page 15. Handle the door carefully, and clean it with non-abrasive glass cleaners. One of the most effective products is Kel Kem.
- Silicone seals on inner door during initial firing will "off gas", leaving a visual deposit of a white substance on combustion chamber walls. This can easily be removed using normal household products.
- Use a vacuum cleaner or whisk broom to keep the control compartment, burner, and firebox free from dust and lint.
- Logs may be cleaned periodically with a vacuum to remove soot or other contaminants.

WARNING:

Do not attempt to clean glass when hot.
 Do not clean glass with abrasive materials as any glass etching may cause premature glass failure.

Maintenance

Gas Control Valve

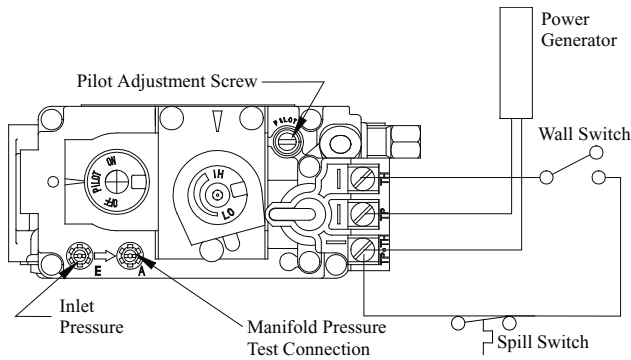


Figure 33. Sit Nova 820 gas valve.

Pilot Burner Adjustment

1. Locate Pilot Adjustment Screw. (See figure 33.)
2. Adjust pilot screw to provide properly sized flame as shown in figure 34).
3. After installing or servicing, leak test with a soap solution with main burner on. Coat pipe and tubing joints, gasket etc. with soap solution. Bubbles indicate leaks. Tighten any areas where the bubbles appear until the bubbling stops completely.

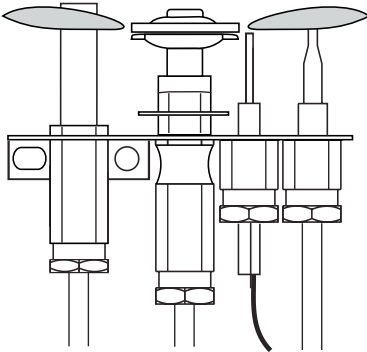


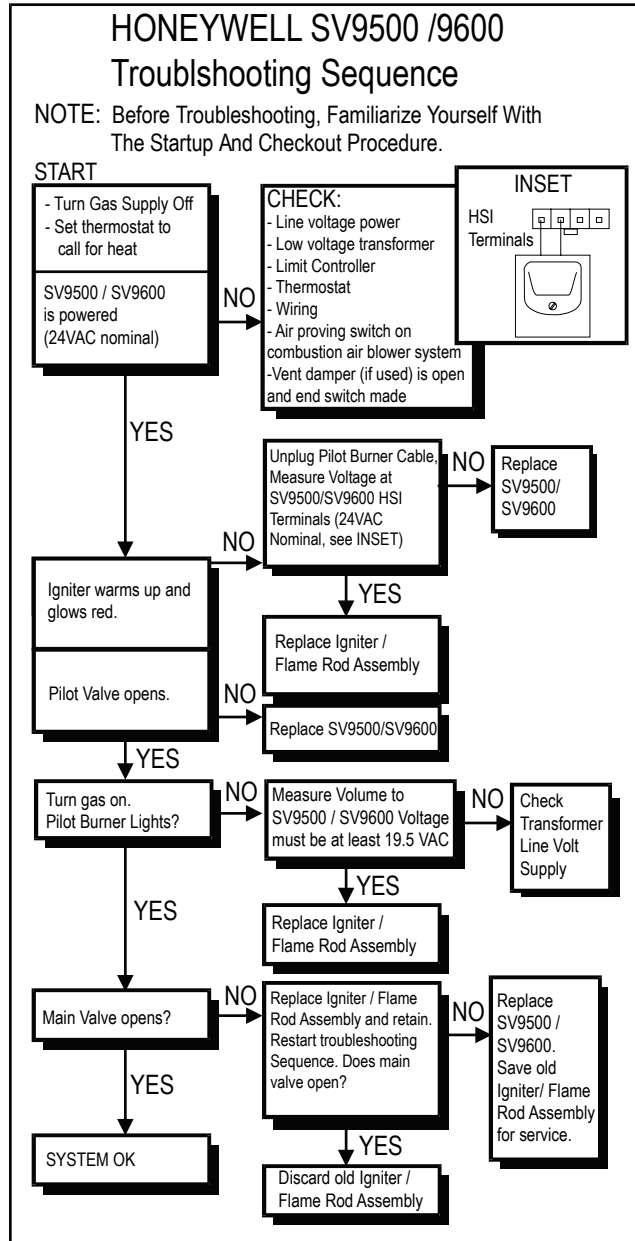
Figure 34. Pilot Burner.

Troubleshooting H-Series DL

The following is a troubleshooting chart of possible problems:

PROBLEM	CORRECTIVE ACTION
Noisy Pilot Flame	Locate pilot adjustment screw on gas control valve. Flame is decreased by turning adjustment screw clockwise.
Pilot won't ignite	Disconnect remote wires and try to light pilot. If pilot now works, remote connections are faulty. Check wiring diagram figure 26.
Main burner will not light	1. Check wiring (see figure 26). 2. Check wall switch for proper connection.

Troubleshooting H-Series DL-I



If your fireplace still does not operate correctly, consult your dealer or the manufacturer.

All service and repairs should be performed by a qualified agency.

All spare parts, optional fans, and optional trim finishes are available from your local dealer or the manufacturer.

Warranty

The Warranty

The Companies warrants the Frontier Gas Appliance to be free from defects in materials and workmanship at the time of manufacture. On the Montigo, there is a ten-year warranty on the firebox and its components, a five-year warranty on the main burner and pilot burner, and a one-year warranty on the gas control valve and fibre logs. Glass, plated/painted finishes, and refractory lining are exempt.

Remedy And Exclusions

The coverage of this Warranty is limited to all components of the Gas Appliance manufactured by The Companies.

This Warranty only covers Montigo Gas Appliances installed in the United States or Canada.

If the components of the Gas Appliance covered by this Warranty are found to be defective within the time frame stated (see The Companies right of investigation outlined below). The Companies will, at its option, replace or repair defective components of the Gas Appliance manufactured by The Companies at no charge, and will also pay for reasonable labour costs incurred in replacing or repairing components. If repair or replacement is not commercially practical, The Companies will, at its option, refund the purchase price of the Montigo Gas Appliance.

This Warranty covers only parts and labour as provided above. In no case shall The Companies be responsible for materials, components, or construction which are not manufactured or supplied by The Companies, or for the labour necessary to install, repair or remove such materials, components or construction. All replacement or repair components will be shipped F.O.B. the nearest The Companies factory.

Qualifications To The Warranty

The Gas Appliance Warranty outlined above is further subject to the following qualifications:

- (1) The Gas Appliance must be installed in accordance with The Companies installation instructions and local building codes. The Warranty on this Montigo Gas Appliance covers only the component parts manufactured by The Companies. The use of components manufactured by others with this Montigo Gas Appliance could create serious safety hazards, may result in the denial of certification by recognized national safety agencies, and could be in violation of local building codes. This warranty does not cover any damages occurring from the use of any components not manufactured or supplied by The Companies
- (2) The Montigo Gas Appliance must be subjected to normal use. The Gas Appliances are designed to burn gas only. Burning conventional fireplace fuels such as wood, coal or any other solid fuel will cause damage to the Gas Appliance, will produce excessive temperatures and will result in a fire hazard.

Limitations On Liability

It is expressly agreed and understood that The Companies sole obligation, and purchaser's exclusive remedy under this Warranty, under any other warranty, expressed or implied, or in contract, tort or otherwise, shall be limited to replacement, repair, or refund, as specified above.

In no event shall The Companies be responsible for any incidental or consequential damages caused by defects in its products, whether such damage occurs or is discovered before or after replacement or repair, and whether or not such damage is caused by The Companies negligence. Some states do not allow the exclusion or limitation of incidental or consequential damages, so the above limitation or exclusion may not apply to you. The duration of any implied warranty with respect to this Montigo Gas Appliance is limited to the duration of the foregoing warranty. Some states do not allow limitation on how long an implied warranty lasts, so the above may not apply to you.

Investigation Of Claims Against Warranty

The Companies reserves the right to investigate any and all claims against this Warranty and to decide upon method of settlement.

The Companies Are Not Responsible For Work Done Without Written Consent

The Companies shall in no event be responsible for any warranty work done without first obtaining The Companies written consent.

Dealers Have No Authority To Alter This Warranty

The Companies employees and dealers have no authority to make any warranties nor to authorize any remedies in addition to or inconsistent with those stated above.

How To Register A Claim Against Warranty

In order for any claim under this Warranty to be valid, The Companies must be notified of the claimed defect in writing or by telephone, as soon as reasonably possible after the defect is discovered. Claims against this Warranty in writing should include the date of installation, and a description of the defect.

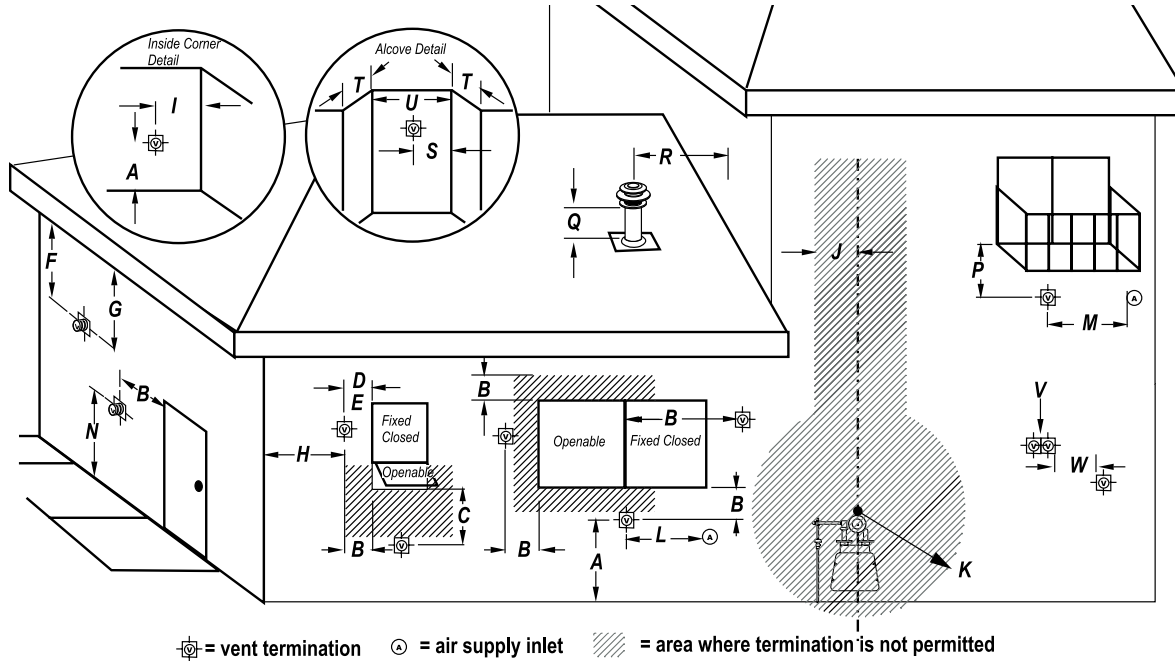
Other Rights

This Warranty gives you specific legal rights, and you may also have other rights which vary from state to state.

NOTE: *The Companies as stated above refer to - Canadian Heating Products Inc. and/or Montigo Del Ray Corp.*

Canadian Heating Products Inc. and/or Montigo DelRay Corp. reserves the right to make changes at any time, without notice, in design, materials, specifications, prices and also to discontinue colors, styles and products.

Appendix A - Termination Locations

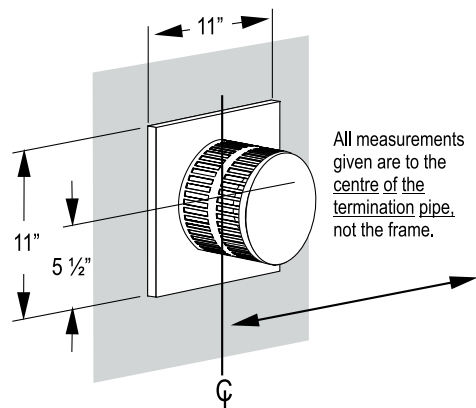


- A** = clearance to the termination frame above grade, veranda, porch, deck, or balcony [16 inches (41 cm) minimum]
- B** = clearance to door, or sides and top of window, that may be opened [16 inches (41 cm) minimum for appliances ≤100 000 BTU/H (30kW)]
- C** = clearance to bottom of window that may be opened horizontally [36 inches (92 cm) minimum for appliances ≤100 000 BTU/H (30kW)]
- D** = no clearance to permanently closed window when installed with approved glass penetration termination
- E** = clearance to permanently closed window [16 inches 41 cm recommended to prevent condensation on window]
- F** = vertical clearance to ventilated soffit located above the termination within a horizontal distance of 2 feet (61 cm) from the centreline of the termination [22 inches (56 cm) minimum]
- G** = clearance to unventilated soffit [16 inches (41 cm) minimum to non-combustibles] [22 inches (56 cm) minimum to combustibles]
- H** = clearance to outside corner [9 inches (23 cm) minimum]
- I** = clearance to inside corner [12 inches (31 cm) minimum]
- J** = * not to be installed above a meter/regulator assembly within 40" (103 cm) horizontally from the centreline of the regulator
- K** = clearance to service regulator vent outlet [3 feet minimum in the United States] [*6 feet (1.8 m) minimum in Canada]
- L** = clearance to non-mechanical air supply inlet to building or the combustion air inlet to any other appliance [16 inches (41 cm) minimum for appliances ≤100 000 BTU/H (30kW)]
- M** = clearance to mechanical air supply inlet [*6 feet (1.8 m) minimum]

- N** = † clearance above paved sidewalk or a paved driveway located on public property [*7 feet (2.1 m) minimum]
 - P** = clearance under veranda, porch, deck, or balcony [16 inches (41 cm) minimum† to non-combustibles] [22 inches (56 cm) minimum† to combustibles]
 - Q** = clearance above a roof [24 inches (61 cm) minimum]
 - R** = clearance to adjacent walls and neighboring buildings [18 inches (46 cm) minimum]
 - S** = clearance from corner in recessed location [12 inches (31 cm) minimum]
 - T** = maximum depth in recessed location [48 inches (122 cm) minimum]
 - U** = minimum width for back wall of recessed location [24 inches (61 cm) minimum]
 - V** = no horizontal clearance between the frames of two terminations that are level.
 - W** = horizontal clearance between the frames of two terminations that are not level. [36 inches (92 cm) minimum]
- † a vent shall not terminate directly above a sidewalk or paved driveway which is located between two single family dwellings and serves both dwellings

‡ only permitted if veranda, porch, deck, or balcony has an open side that is equal to or greater than the depth of the enclosed area

* as specified in CGA B149 Installation Codes. Note: local Codes or Regulations may require different clearance.



All measurements given are to the centre of the termination pipe, not the frame.

Maintenance

Notes

Spare Parts - H-SeriesDL

	H34DL	H38DL	H42DL
NG Gas Valve	RGC1006	RGC1006	RGC1006
LP Gas Valve	RGC1005	RGC1005	RGC1005
NG Pilot	RPA020	RPA020	RPA020
LP Pilot	RPA021	RPA021	RPA021
Burner NG	RBH3403	RBH3803	RBH4203
Burner LPG	RBH3404	RBH3804	RBH4204
Orifice NG	ROR1120	ROR1122	ROR1124
Orifice LPG	ROR1121	ROR1123	ROR1125
Door	RDTH34	RDTH38	RDTH42
Log Set	RLGSH34	RLGSH38	RLGSH42
Log Base	RLGSH34B	RLGSH38B	RLGSH42B



XG0140 - 110707

Canadian Heating Products Inc.
Langley, BC V4W 4A1

Montigo Del Ray Corp.
Ferndale, WA 98248