

## DISCONTINUED ITEM

THIS ITEM HAS BEEN DISCONTINUED AND IS  
NO LONGER IN PRODUCTION.

PLEASE CONTACT YOUR LOCAL MONTIGO DEALER  
REGARDING MAINTENANCE AND SPARE PARTS AVAILABILITY.

[www.montigo.com](http://www.montigo.com)

### Installation & Maintenance Manual

Check local codes and read all instructions prior to installation.

# B-Series DV-2 Gas Fireplace

**B34DV Indoor**  
**B38DV Indoor**




## DANGER



HOT GLASS WILL  
CAUSE BURNS.  
DO NOT TOUCH GLASS  
UNTIL COOLED.  
NEVER ALLOW CHILDREN  
TO TOUCH GLASS.

A barrier designed to reduce the risk of burns from the hot viewing glass is provided with this appliance and shall be installed for the protection of children and other at-risk individuals.

 **Warning:** If the information in these instructions is not followed exactly, a fire or explosion may result causing property damage, personal injury or death.

### Warning:

Improper installation, adjustment, alteration, service or maintenance can cause injury or property damage. Refer to this manual. For assistance or additional information consult a qualified installer, service agency or the gas supplier.

### For Your Safety:

Do not store or use gasoline or other flammable vapors and liquids in the vicinity of this or any other appliance.


### WHAT TO DO IF YOU SMELL GAS

- Do not try to light any appliance.
- Do not touch any electrical switch; do not use any phone in your building.
- Immediately call your gas supplier from a neighbor's phone. Follow the gas supplier's instructions.
- If you cannot reach your gas supplier, call the fire department.

Installation and service must be performed by a qualified installer, service agency or the gas supplier.



- Installer: Leave this manual with the appliance.
- Consumer: Retain this manual for future reference.

 **Warning:**  
**Read this manual before installing, operating or troubleshooting this appliance. Please retain this owner's manual for future reference.**

## Congratulations!

Congratulations on selecting a Montigo gas fireplace, an elegant and well designed gas fireplace built to your specifications. The Montigo gas fireplace you have selected is designed to provide the utmost in safety, reliability, and engineering standards.

As the owner of this new fireplace, you'll want to read and carefully follow all the instructions contained in this Installation, Operations and Maintenance manual. Pay special attention to all cautions, warnings, and Important warnings.

This owner's manual should be retained for future reference. We suggest that you keep it with all your other important documents and product manuals.

The information contained in this owner's manual, unless noted otherwise, applies to all models, and gas control systems.

Your new Montigo gas fireplace will give you years of durable, reliable use. Welcome to the Montigo family of gas fireplace products.



### Safety Alert Key:

- **DANGER!** Indicates a hazardous situation which, if not avoided will result in death or serious injury.
- **WARNING!** Indicates a hazardous situation which, if not avoided could result in death or serious injury.
- **CAUTION!** Indicates a hazardous situation which, if not avoided, could result in minor or moderate injury.
- **NOTICE:** Used to address practices not related to personal injury.
- **Important:** Used to address practices not related to personal injury.

## Table Of Contents

<p>Instruction Manual Contents</p> <p>Congratulations!..... 2</p> <p style="padding-left: 40px;"><b>Safety Alert Key:</b>..... 2</p> <p>Introduction..... 3</p> <p>Rating Plate Sample - B34..... 4</p> <p>Rating Plate Sample - B38..... 5</p> <p>Installing and Framing the Fireplace..... 6</p> <p>Installing The Gas Line..... 7</p> <p>Vent Installation..... 7</p> <p style="padding-left: 20px;"><i>Installing Terminations with Built-In Frames</i>..... 8</p> <p style="padding-left: 20px;"><i>Installing Terminations with MSR Frames</i>..... 8</p> <p style="padding-left: 20px;"><i>Installing Terminations with MOSR Frames</i>..... 8</p> <p style="padding-left: 20px;"><i>Installing Heat Guards over Terminations</i>..... 8</p> <p>Installing The Remote On/Off Wall Switch..... 8</p> <p>Heat Shields..... 8</p> <p>Top Vent Venting Runs..... 9</p> <p>Through-The-Wall Installations..... 9</p>	<p>B34DV-2..... 9</p> <p>B38DV-2..... 9</p> <p>Rear Vent Venting Runs..... 12</p> <p>Finishing Around the Fireplace..... 14</p> <p>Wiring..... 15</p> <p>Gas Control and Pilot Wiring..... 16</p> <p><b>Removing the screen and door:</b>..... 17</p> <p>Installing the Log Set..... 19</p> <p style="padding-left: 20px;"><i>Single Cast Log Set</i>..... 19</p> <p style="padding-left: 20px;"><i>5-Piece Log Set</i>..... 20</p> <p>Operation..... 22</p> <p>Maintenance..... 25</p> <p style="padding-left: 20px;"><i>SIT Proflame 2:</i>..... 26</p> <p style="padding-left: 20px;"><i>Honeywell:</i>..... 27</p> <p>Warranty..... 28</p> <p><b>Appendix A - Termination Locations</b>..... 29</p> <p>Appendix B - State of Massachusetts..... 30</p>
--	--

# Introduction

## Introduction

Thank You for choosing a Montigo Gas Fireplace.

### About this Fireplace:

The B-Series DV-2 is a dual burner fireplace with glowing embers. The fireplace is available in three models, and in top or rear vent for each model.

#### Standard Log Set

The B34DV-2 is rated for Natural Gas at 18,000 BTU/H (5.28 Kilowatts) Input or Propane at 18,000 BTU/H (5.28 Kilowatts) Input.

- B34DT-2; Top Vent, Millivolt Pilot.
- B34DR-2; Rear Vent, Millivolt Pilot.
- B34DT-2-I; Top Vent, Intermittent Pilot (HSI).
- B34DR-2-I; Top Vent, Intermittent Pilot (HSI).
- B34DT-2-F; Top Vent, Electronic Ignition (IPI).
- B34DR-2-F; Top Vent, Electronic Ignition (IPI).

#### Standard Log Set

The B38DV-2 is rated for Natural Gas at 21,000 BTU/H (6.16 Kilowatts) Input or Propane at 21,000 BTU/H (6.16 Kilowatts) Input.

- B38DT-2; Top Vent, Millivolt Pilot.
- B38DR-2; Rear Vent, Millivolt Pilot.
- B38DT-2-I; Top Vent, Intermittent Pilot (HSI).
- B38DR-2-I; Top Vent, Intermittent Pilot (HSI).
- B38DT-2-F; Top Vent, Electronic Ignition (IPI).
- B38DR-2-F; Top Vent, Electronic Ignition (IPI).



## CAUTION

Young children should be carefully supervised when they are in the same room as the appliance. Toddlers, young children and others may be susceptible to accidental contact burns. A physical barrier is recommended if there are at risk individuals in the house. To restrict access to a fireplace or stove, install an adjustable safety gate to keep toddlers, young children and other at risk individuals out of the room and away from hot surfaces.




## CAUTION!

Due to its high operating temperatures, the appliance should be located out of traffic & away from furniture and draperies.

- Children and adults should be alerted to the hazards of the high surface temperature, which could cause burns or clothing ignition.
- Young children should be carefully supervised when they are in the same room as the appliance.
- Clothing or other flammable materials should not be placed on or near the appliance.

### How to use this manual:

This manual covers installation, operation and maintenance. Lighting, operation and care of this fireplace can be easily performed by the homeowner. However, all installation and service work should be performed by a qualified or licensed installer, plumber, or gasfitter who is qualified or licensed by the state, province, region, or governing body in which the appliance is being installed.

This manual covers all models and unless otherwise specified, the designation B-Series DV-2 refers to all models. Sections which are specific to a particular model are marked with a  symbol, plus the appropriate model number.

### Warranty and Installation Information:

The Montigo warranty will be **VOIDED** by, and Montigo disclaims any responsibility for, the following actions:

- Modification of the fireplace and/or components including Direct-Vent assembly or glass doors.
- Use of any component part not manufactured or approved by Montigo in combination with this Montigo fireplace system.
- Installation other than as instructed in this manual.

Consult your local Gas Inspection Branch on installation requirements for factory-built gas fireplaces. Installation & repairs should be done by a qualified contractor.

**Installations in Canada** must conform to the current **CAN/CGA B-149.1** and **.2** Gas Installation Code and local regulations. If the optional air-circulating fan kit is installed, it must be electrically grounded in accordance with **CSA C22.1** Canadian Electrical Code Part 1 and/or Local Codes.

**Installations in the USA** must conform to local codes, or in the absence of local codes to the National Fuel Gas Code, **ANSI Z223.1-1988**. If the optional air-circulating fan is installed, it must be grounded in accordance with local codes or, in the absence of local codes, with the National Electrical Code, **ANSI/NFPA 70-1987**. See Appendix B for installation within the State of Massachusetts.

## WARNING

A barrier designed to reduce the risk of burns from hot viewing glass is provided with this appliance and shall be installed for the protection of children and other at-risk individuals.

If the barrier becomes damaged, the barrier shall be replaced with the manufacturer's barrier for this appliance.

## WARNING

Any safety screen, guard, or barrier removed for servicing an appliance must be replaced prior to operating the appliance.

# Introduction

## Rating Plate Sample - B34

**Do Not Remove This Label**  
N'enlevez Pas Cette Étiquette

**Do Not Remove This Label**  
N'enlevez Pas Cette Étiquette

**Type:** Vented Gas Fireplace Heater

**Model No. Modèle:** B34-DV-R-2

**Serial No.:** 1-150316-000000

**Manufacturer / Fabricant:** Canadian Heating Products Inc., Langley BC, www.montigo.com  
Montigo DelRay Corp., Ferndale, WA, www.montigo.com

**Tested To / Examiné À:** ANSI Z21.88 / CSA 2.33-2014

**Electrical Rating / Estimation Électrique:** With Elec. Ign or Fans, 115V / 1 Ph, 60 Hz, less than 12A

**Altitude Rating / Estimation D'Altitude:** N & H (0 - 4500 ft. / 0 - 1371 m).

**Fuel Type / Type De Carburant:**

<input checked="" type="checkbox"/> N - Natural Gas / Gaz Naturel	Max. Input BTU/H	Min. Input BTU/H	Output / Rendement BTU/H	Orifice Size / Taille D'Orifice Rear/Derrière Front/Avant
<input type="checkbox"/> LP - Propane / Gaz Propane	18,000	14,000	N/A	64 DMS / 1.95 MM
	18,000	14,000	N/A	70 DMS / 57 DMS

**For Indoor Use Only**

Not for use with solid fuel. / Pas pour l'usage avec le combustible solide.  
Not for use with air filters. / Pas pour l'usage avec des filtres à air.

**B34-DV-R-2**

<b>*Clearance to Combustibles</b> *Dégagements Aux Combustibles	Sides/Côtés: 1"
Back/Derrière: 1"	Top-Top Vent/Du Haut-Évent Du Haut: N/A
Top-Rear Vent/Du Haut-Évent Arrière: 8"	Floor/Plancher: 0"
Mantel/Manteau: 8"	Recess Depth/Profondeur D'Encadrement: 137/8"
Flue: 1 1/2"	Gas Manifold Pressure / Pression D'Admission Du Gaz: 3.5" W.C.
	Min. Gas Supply Pressure/Min. Pression D'Alimentation Du Gaz: 5.5" W.C.
	10" W.C. 11" W.C.

**FOR USE WITH GLASS DOORS AND SCREENS CERTIFIED WITH THE APPLIANCE ONLY**  
Pour utilisation avec portes de verre and écrans de certifiés avec l'appareil seulement

**\*Refer to installation manual for more information.**  
\*Référez-vous au manuel d'installation pour plus d'information.

LB1205-V6.1 Stand Pilot - Screen DEC06.2014

Figure A: Rating Plate for B34 - Standing Pilot

**Do Not Remove This Label**  
N'enlevez Pas Cette Étiquette

**Do Not Remove This Label**  
N'enlevez Pas Cette Étiquette

**Type:** Vented Gas Fireplace Heater

**Model No. Modèle:** B34-DV-R-2-F

**Serial No.:** 1-150316-000000

**Manufacturer / Fabricant:** Canadian Heating Products Inc., Langley BC, (www.montigo.com)  
Montigo DelRay Corp., Ferndale, WA, (www.montigo.com)

**Tested To / Examiné À:** ANSI Z21.88 / CSA 2.33-2014

**Electrical Rating / Estimation Électrique:** With Elec. Ign or Fans, 115V / 1 Ph, 60 Hz, less than 12A

**Altitude Rating / Estimation D'Altitude:** N & H (0 - 4500 ft. / 0 - 1371 m.)

**Fuel Type / Type De Carburant:**

<input checked="" type="checkbox"/> N - Natural Gas / Gaz Naturel	Max. Input BTU/H	Min. Input BTU/H	Output / Rendement BTU/H	Orifice Size / Taille D'Orifice Front/Avant Rear/Derrière	Gas Manifold Pressure / Pression D'Admission Du Gaz: 3.5" W.C.	Min. Gas Supply Pressure/Min. Pression D'Alimentation Du Gaz: 5.5" W.C.
<input type="checkbox"/> LP - Propane / Gaz Propane	18,000	14,000	N/A	64 DMS / 1.95 MM	10" W.C.	11" W.C.

**FOR USE WITH GLASS DOORS AND SCREENS CERTIFIED WITH THE APPLIANCE ONLY**  
Pour utilisation avec portes de verre and écrans de certifiés avec l'appareil seulement

**\*Refer to installation manual for more information.**  
\*Référez-vous au manuel d'installation pour plus d'information.



LB1223-V5.1 SIT LP - with screen DEC06.2014

Figure B: Rating Plate for B34 - Electronic Ignition



# Introduction

Rating Plate Sample - B38

**Do Not Remove This Label**  
N'enlevez Pas Cette Étiquette



**Do Not Remove This Label**  
N'enlevez Pas Cette Étiquette

<p><b>Type:</b> <input checked="" type="checkbox"/> Vent Vented / <input type="checkbox"/> Wall</p> <p><b>Model No. / Modèle:</b> B38-DV-R-2</p> <p><b>Serial No.:</b> 1-150316-000000</p> <p><b>Manufacturer / Fabricant:</b> Canadian Heating Products Inc., Langley BC, www.montigo.com Montigo DeIRay Corp., Ferndale, WA, www.montigo.com</p> <p><b>Tested To / Examiné À:</b> ANSI Z21.88 / CSA 2.33-2014</p> <p><b>Electrical Rating / Estimation Électrique:</b> With Elec. Ign or Fans, 115V / 1 Ph. / 60 Hz./less than 12A</p> <p><b>Altitude Rating / Estimation D'Altitude:</b> N &amp; H (0 - 4500 ft. / 0 - 1371 m).</p> <p><b>Fuel Type / Type De Carburant:</b></p>	<p><b>For Indoor Use Only</b></p> <p><b>Vented Gas Fireplace Heater</b></p> <p>Not for use with solid fuel. / Pas pour l'usage avec le combustible solide. Not for use with air filters. / Pas pour l'usage avec des filtres à air.</p> <p>B38-DV-R-2</p> <p>1-150316-000000</p> <p>Canadian Heating Products Inc., Langley BC, www.montigo.com Montigo DeIRay Corp., Ferndale, WA, www.montigo.com</p> <p>ANSI Z21.88 / CSA 2.33-2014</p> <p>With Elec. Ign or Fans, 115V / 1 Ph. / 60 Hz./less than 12A</p> <p>N &amp; H (0 - 4500 ft. / 0 - 1371 m).</p>
---	---

Max. Input Max. Entrée BTU/H	Min. Input Min. Entrée BTU/H	Output / Rendement BTU/H	Orifice Size / Taille D'Orifice Rear/Derrière Front/Avant	Gas Manifold Pressure / Pression D'Admission Du Gaz	Min. Gas Supply Pressure/ Min. Pression D'Alimentation Du Gaz
21,000	17,000	N/A	55 DMS / 48 DMS	3.5" W.C.	5.5" W.C.
21,000	17,000	N/A	56 DMS / 68 DMS	10" W.C.	11" W.C.

**FOR USE WITH GLASS DOORS AND SCREENS CERTIFIED WITH THE APPLIANCE ONLY**  
Pour utilisation avec portes de verre and écrans de certifiés avec l'appareil seulement

**\*Refer to installation manual for more information.**  
\*Référez-vous au manuel d'installation pour plus d'information.

**Do Not Remove This Label**  
N'enlevez Pas Cette Étiquette

**Do Not Remove This Label**  
N'enlevez Pas Cette Étiquette

<p><b>Type:</b> <input checked="" type="checkbox"/> Vented / <input type="checkbox"/> Wall</p> <p><b>Model No. / Modèle:</b> B38-DV-R-2-F</p> <p><b>Serial No.:</b> 1-150316-000000</p> <p><b>Manufacturer / Fabricant:</b> Canadian Heating Products Inc., Langley BC, (www.montigo.com) Montigo DeIRay Corp., Ferndale, WA, (www.montigo.com)</p> <p><b>Tested To / Examiné À:</b> ANSI Z21.88 / CSA 2.33-2014</p> <p><b>Electrical Rating / Estimation Électrique:</b> With Elec. Ign or Fans, 115V / 1 Ph. / 60 Hz./less than 12A</p> <p><b>Altitude Rating / Estimation D'Altitude:</b> N &amp; H (0 - 4500 ft. / 0 - 1371 m).</p> <p><b>Fuel Type / Type De Carburant:</b></p>	<p><b>For Indoor Use Only</b></p> <p><b>Vented Gas Fireplace Heater</b></p> <p>Not for use with solid fuel. / Pas pour l'usage avec le combustible solide. Not for use with air filters. / Pas pour l'usage avec des filtres à air.</p> <p>B38-DV-R-2-F</p> <p>1-150316-000000</p> <p>Canadian Heating Products Inc., Langley BC, (www.montigo.com) Montigo DeIRay Corp., Ferndale, WA, (www.montigo.com)</p> <p>ANSI Z21.88 / CSA 2.33-2014</p> <p>With Elec. Ign or Fans, 115V / 1 Ph. / 60 Hz./less than 12A</p> <p>N &amp; H (0 - 4500 ft. / 0 - 1371 m).</p>
--	---

Max. Input Max. Entrée BTU/H	Min. Input Min. Entrée BTU/H	Output / Rendement BTU/H	Orifice Size / Taille D'Orifice Front/Avant Rear/Derrière	Gas Manifold Pressure / Pression D'Admission Du Gaz	Min. Gas Supply Pressure/ Min. Pression D'Alimentation Du Gaz
21,000	17,000	N/A	55 DMS / 48 DMS	3.5" W.C.	5.5" W.C.
21,000	17,000	N/A	56 DMS / 68 DMS	10" W.C.	11" W.C.

**FOR USE WITH GLASS DOORS AND SCREENS CERTIFIED WITH THE APPLIANCE ONLY**  
Pour utilisation avec portes de verre and écrans de certifiés avec l'appareil seulement

**\*Refer to installation manual for more information.**  
\*Référez-vous au manuel d'installation pour plus d'information.

Figure C: Rating Plate for B38 - Standing Pilot

Figure D: Rating Plate for B38 - Electronic Ignition

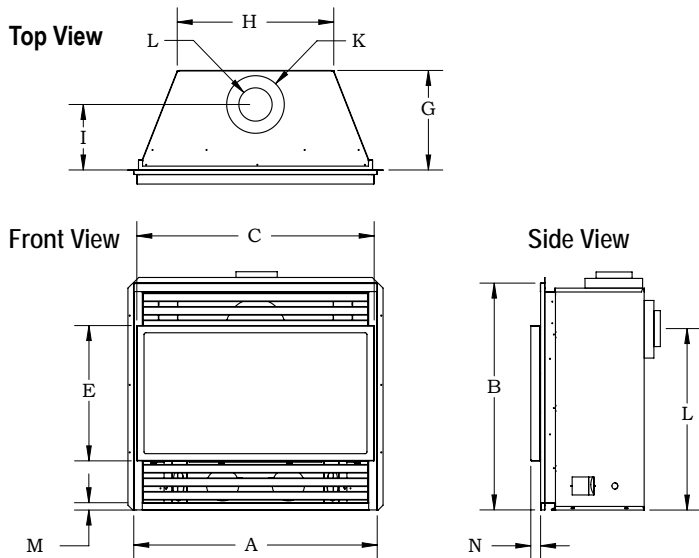
# Installation



## Installing and Framing the Fireplace

The B-Series-DV-2 fireplaces may be installed in any location that maintains proper clearances to air conditioning ducts, electrical wiring and plumbing. Safety, as well as efficiency of operation, must be considered when selecting the fireplace location. Try to select a location that does not interfere with room traffic, has adequate ventilation, and offers an accessible pathway for Direct Vent installation. Refer to page 7 - Vent Installation for more information.

The fireplace dimensions are shown below:



	A	B	C	D	E	F	G	H	I	J	K	L
B34-DV-2	33 <sup>3</sup> / <sub>4</sub>	31 <sup>1</sup> / <sub>2</sub>	31 <sup>1</sup> / <sub>4</sub>	1 <sup>1</sup> / <sub>4</sub>	18	1	13 <sup>3</sup> / <sub>4</sub>	21 <sup>3</sup> / <sub>4</sub>	8	4	7	25 <sup>1</sup> / <sub>4</sub>
B38-DV-2	37 <sup>3</sup> / <sub>4</sub>	34 <sup>1</sup> / <sub>2</sub>	34 <sup>3</sup> / <sub>4</sub>	1 <sup>1</sup> / <sub>4</sub>	21	1	15 <sup>7</sup> / <sub>8</sub>	24 <sup>1</sup> / <sub>8</sub>	9	4	7	28 <sup>3</sup> / <sub>8</sub>

Figure 1. Fireplace dimensions.

### Clearances

These clearances apply to all dimensions *except the framed opening*, where the clearance to combustibles is 0". The B-Series DV-2 clearances to combustible materials are:

	B34-DV-2-TV	B34-DV-2-RV	B38-DV-2-TV	B38-DV-2-RV
Top - Rear Vent *	N/A	8"	N/A	9 1/4"
Top - Top Vent	15"	N/A	15"	N/A
Back	0"	1"	1"	1"
Sides	1"	1"	0"	0"
Floor	0"	0"	0"	0"
Mantle**	8"	8"	6"	6"
Flue	1 1/2"	1 1/2"	1"	1"

\* Clearance from the top of the fireplace to a combustible ceiling within the fireplace enclosure.

\*\* Refer to page 14, (Mantels and Surrounds).

Unprotected combustible walls which are perpendicular to the fireplace opening, must not project beyond the area shown in Figure 23.

For protection against freezing temperatures, it is recommended that outer walls of the chase be insulated with a vapor barrier. This will reduce the possibility of a cold-air convection current on the fireplace.

When installing a shelf over the top of the fireplace, the following guidelines must be adhered to: For Rear Vent applications the minimum clearance from the top of the fireplace to a shelf is 8". For Top Vent applications, the minimum clearance is 15". (Minimum clearance to combustible construction around the vent pipe is 1" on all sides, except on horizontal venting where the top of the pipe must have a clearance of at least 2".)

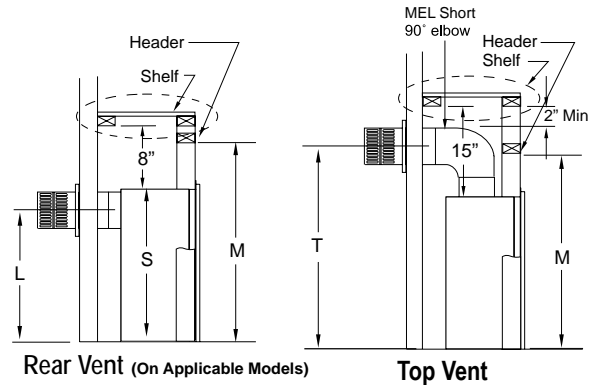


Figure 2. Framing for shelves over the fireplace.

### Framing

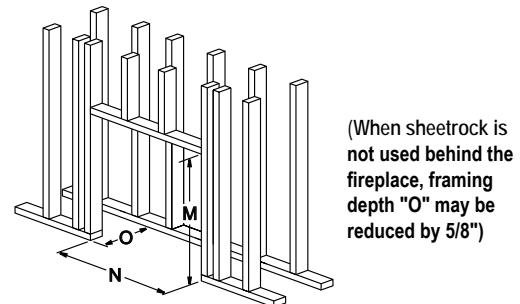


Figure 3. Framing dimensions.

	L	M	N	O	P	Q	S	T
B34-DV-2	25 <sup>1</sup> / <sub>4</sub>	36 <sup>3</sup> / <sub>4</sub>	33	15 <sup>1</sup> / <sub>2</sub>	50	35 <sup>5</sup> / <sub>8</sub>	30 <sup>3</sup> / <sub>8</sub>	39 <sup>7</sup> / <sub>8</sub>
B38-DV-2	28 <sup>3</sup> / <sub>8</sub>	39 <sup>3</sup> / <sub>4</sub>	37	17 <sup>5</sup> / <sub>8</sub>	56	39 <sup>5</sup> / <sub>8</sub>	33 <sup>3</sup> / <sub>8</sub>	42 <sup>7</sup> / <sub>8</sub>

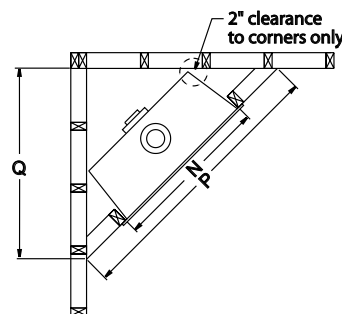


Figure 4. Minimum Corner framing dimensions, using a 45 degree elbow.

**WARNING!**

When this appliance is installed directly on any combustible material other than wood flooring, it must be installed on a metal or wood panel extending the full width and depth of the appliance.



# Installation

## Installing The Gas Line

The gas line must be installed before finishing the B-Series DV-2 Fireplace. **Natural Gas** requires a minimum inlet gas supply pressure of 5.5" W.C. & a manifold pressure of 3.5" W.C. **Propane Gas** requires a minimum inlet gas supply pressure of 11" W.C. & a manifold pressure of 10" W.C. Provision must also be made for a 1/8" N.P.T. plugged tapping and be accessible for test gauge connection immediately upstream of the gas supply controls to the appliance. The fireplace gas connection and the main operating gas valve is located behind the removable trim at the bottom of the unit and need only be attached to the gas line with an approved fitting, as required by the applicable installation codes.

- Only use gas shut-off valves approved for use by the state, province, region, or governing body, in which the appliance is being installed, or as required by the applicable installation codes.

- Flexible gas connectors must not exceed 3 feet in length, unless it is allowable within applicable installation codes.

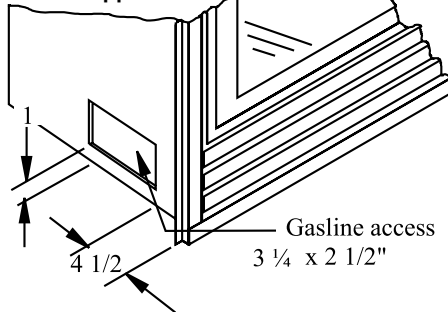


Figure 5. Gas line access.

The appliance and its individual shut-off valve must be disconnected from the gas supply piping system during any pressure testing of that system at test pressures in excess of 1/2 psig (3.5 kPa).

The appliance must be isolated from the gas supply piping system by closing its individual manual shut-off valve during any pressure testing of the gas supply piping system at test pressures equal to or less than 1/2 psig (3.5 kPa).

Note: After gas line is connected, each appliance connection, valve and valve train must be checked while under normal operating pressure with either a liquid solution, or leak detection device, to locate any source of leak. Tighten any areas where bubbling appears or leak is detected until bubbling stops completely or leak is no longer detected. **DO NOT** use a flame of any kind to test for leaks.

### WARNING

When installing the fireplace - gas lines, fittings, accessories or any other objects cannot impede the proper movement of the door buckles.

## Vent Installation

- Use only *certified Montigo vent components*. (Use of other parts will void the Montigo warranty, and may impede the operation of the fireplace.)
- Connect all vent sections using a minimum of three sheet metal screws on the outer pipe flue.
- Vent terminations must not be recessed in walls or siding
- Ensure all runs are supported with a minimum of 3 supports per 10' of venting.
- Flex vent sections may be stretched up to 50% of their total length (eg. a 24" section may be stretched to 36")
- Maximum horizontal run for a flex section with no vertical rise is 3 feet.
- Flex vent sections over 3 feet must fall within the limits set by the venting graph and must have a minimum vertical rise of 3 inches per foot of flex.
- Solid vent sections may be cut less than half way from the female end
- Venting components can be used in any combination of solid/rigid pipe or flex pipe and in any orientation (Male connectors can face in any direction)

## Vent Terminations

### Selecting A Termination Location

Choosing your vent termination location will help to determine whether you need to use a top vent or rear vent fireplace. Figure 6, below, shows typical fireplace locations and the venting options they provide.

For a more detailed diagram of allowed termination locations, see **Appendix A**.

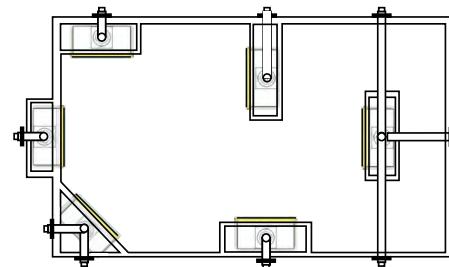


Figure 6. Fireplace locations and vent terminations.



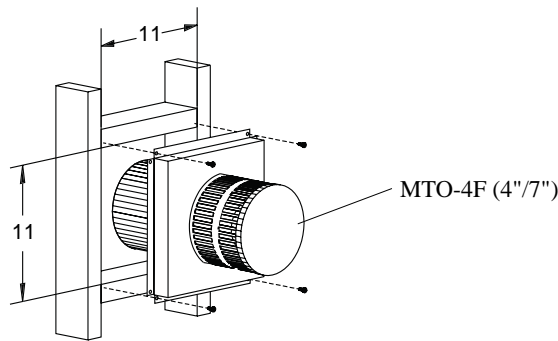
### Cautions:

- Vent terminations can be very hot. If the termination is less than 7 feet above a public walkway, it should be fitted with a certified Montigo Heat Guard. (Part no. PTKOG).
- Do not obstruct, or attempt to conceal the vent termination. These actions will affect the operation of the fireplace, and may be hazardous.
- In heavy snow areas, take extra care to prevent snow buildup from obstructing the vent termination.
- Use Montigo Vinyl Heat Shield (Part no. VSS) when using on applications with vinyl siding to guard against possible damage.

# Installation

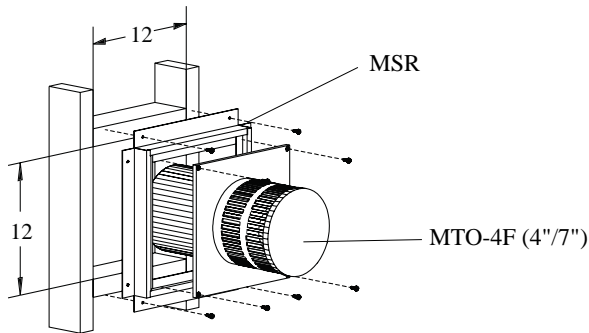


## Installing Terminations with Built-In Frames



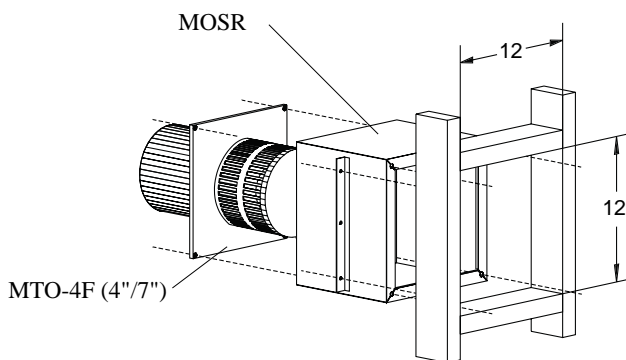
1. Frame the termination opening to 11" x 11".
2. Fasten the termination to the studs using a minimum of 4 screws.

## Installing Terminations with MSR Frames



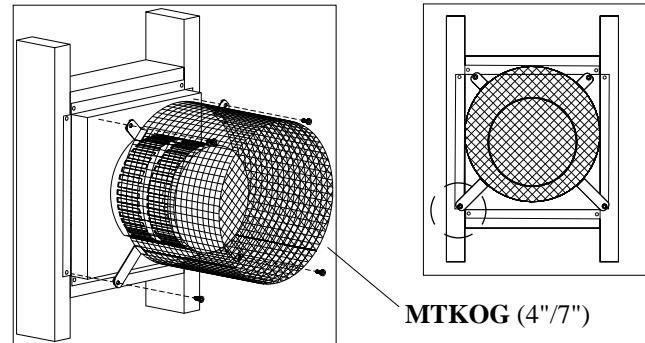
1. Frame the termination opening to 12" x 12".
2. Fasten the termination to the studs using a minimum of 4 screws.

## Installing Terminations with MOSR Frames



1. Frame the termination opening to 12" x 12".
2. Fasten the MOSR frame to the interior side of the studs using a minimum of 4 screws.
3. Insert the termination into the MOSR frame as shown here, and attach by screwing through the four pilot holes in the termination.

## Installing Heat Guards over Terminations



1. Ensure that the two long mounting brackets are facing the bottom of the termination. (See inset). This will provide more heat protection at the top of the termination, where temperatures are highest.
2. Attach to the faceplate of the termination using four sheet metal screws.

## Installing The Remote On/Off Wall Switch

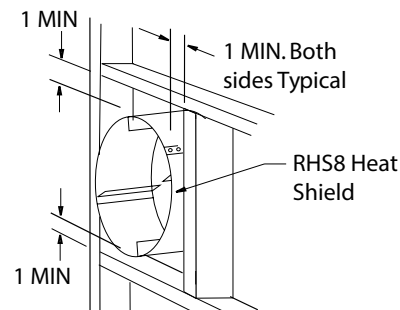
The B-Series DV-2's gas valve, located behind the lower trim, may be connected to a wall switch. The valve will either generate its own power on a millivolt circuit or draw its power from an AC connection inside the fireplace, depending on the model of your unit. Use only low voltage wire, and DO NOT connect any external power to the remote switch.

Refer to Figure 24, or 27 for wiring requirements.

**Note:** The switch location must not exceed 30' from the fireplace.

## Heat Shields

Due to high flue temperatures, heat shields are required on all B Series DV-2 installations (except those with vertical terminations) at the point where the venting connects to the termination. With the heat shield, vent clearances can be maintained at 1".



**Figure 7. RHS8 Installation.** (Install by sliding over vent pipe where it passes through the combustible construction.)





# Installation

## Top Vent Venting Runs

For the **B-Series DV-2 Top Vent**, there are two types of installations: A) Through-The-Wall Installations and B) Vertical (Through-The-Roof) Installations.

### Through-The-Wall Installations

Before you install any venting, you must determine whether the venting run will be acceptable. Unacceptable venting can affect the fireplace's combustion.

### The Venting Graph

Measure the vertical height from the fireplace hearth to the centre of the termination and the horizontal run from the fireplace flue collar to the wall flange of the termination. Plot on the Venting Graph (Fig. 8) or (Fig.8a) with an 'X'.

If the 'X' falls on or above the top boundary of the shaded area, the installation is acceptable.

### B34DV-2

## B34DV-2

#### Example A: (Acceptable Installation)

If the vertical dimension from the hearth is 108" and the horizontal run to the wall flange of the vent termination is 180", this would be an acceptable installation.

#### Example B: (Acceptable Installation)

If the vertical dimension from the hearth is 44" and the horizontal run to the wall flange of the vent termination is 72", this would be an acceptable installation.

#### Example C: (Unacceptable Installation)

If the vertical dimension from the floor of the fireplace is 60" and the horizontal run to the wall flange of the vent termination is 144", this would **NOT** be an acceptable installation.

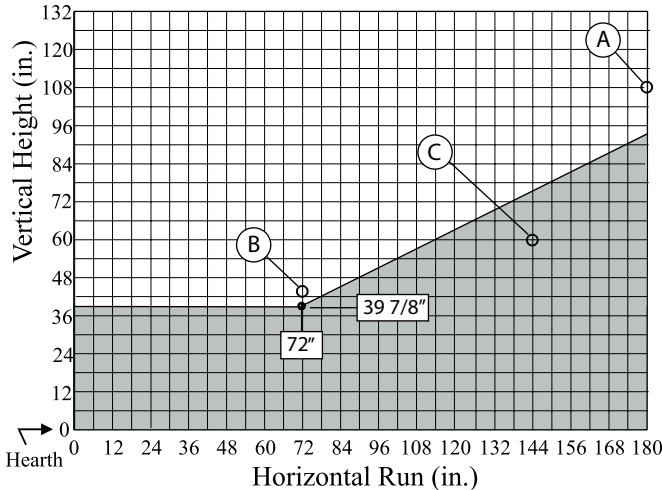


Figure 8. B34-DV-2 Top Vent Venting Graph

**NOTES:** All dimension lengths for vertical or horizontal runs are measured from centre of the vent pipe. Venting runs *must* fall within the limits set by the venting graph (Fig 8 or 8a).

### B38DV-2

## B38DV-2

#### Example A: (Acceptable Installation)

If the vertical dimension from the hearth is 84" and the horizontal run to the wall flange of the vent termination is 36", this would be an acceptable installation.

#### Example B: (Acceptable Installation)

If the vertical dimension from the hearth is 108" and the horizontal run to the wall flange of the vent termination is 120", this would be an acceptable installation.

#### Example C: (Unacceptable Installation)

If the vertical dimension from the floor of the fireplace is 72" and the horizontal run to the wall flange of the vent termination is 84", this would **NOT** be an acceptable installation.

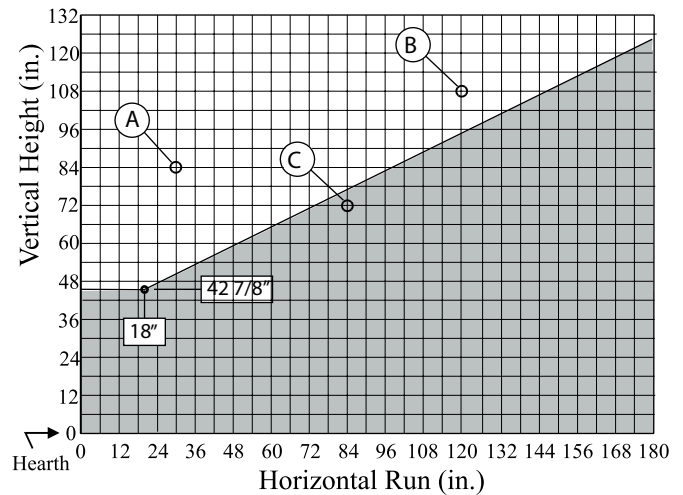


Figure 8a. B38-DV-2 Top Vent Venting Graph

### Available Top Vent Components

The following venting components are available for the B-Series DV-2 Top Vent:

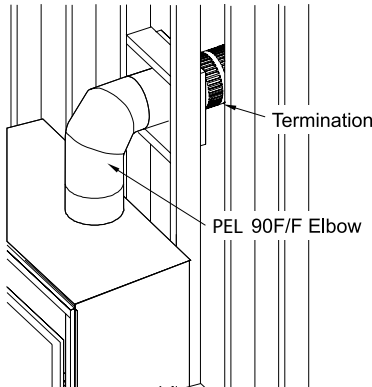
	4" / 7" Venting
A - Termination	MTO-4 (3" Length) MTO-4F (3" Length)
B - Stucco Kits	MSR (Stucco Frame) MOSR (Stucco Can) BSR ( Brick Can)
C - Flex Sections	MFL-1 (12" f/f Section) MFL-2 (24" f/f Section) MFL-3 (36" f/f Section) MFL-4 (48" f/f Section) MFL-6 (72" f/f Section)
D - Rigid Sections	MEXT-1 (12" m/f Section) MEXT-2 (24" m/f Section) MEXT-3 (36" m/f Section) MEXT-4 (48" m/f Section) MEXT-6 (72" m/f Section)
E - Elbows	MEL-90MM (m/m 90° Elbow) MEL-90FF (f/f 90° Elbow) MEL-90FM (f/m 90° Elbow)

# Installation



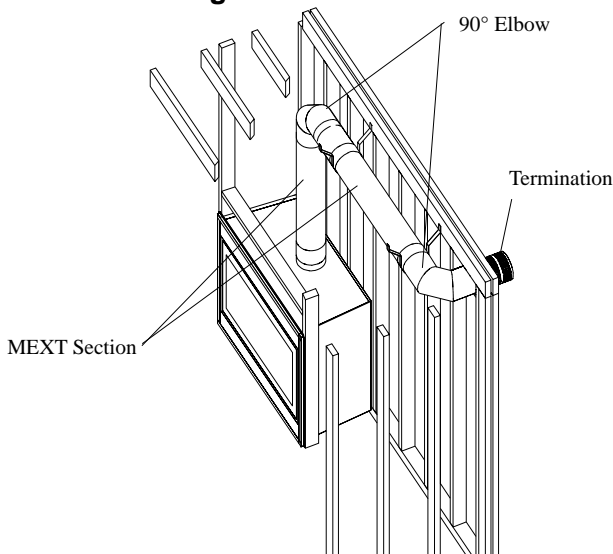
### Example 1:

For our shortest venting configuration use components A and E (see table on page 9).



**Figure 9.** Typical Top Vent installation. If the 90° elbow is installed directly on the fireplace, for height to the center of the termination see chart on page 6.

### Horizontal Venting



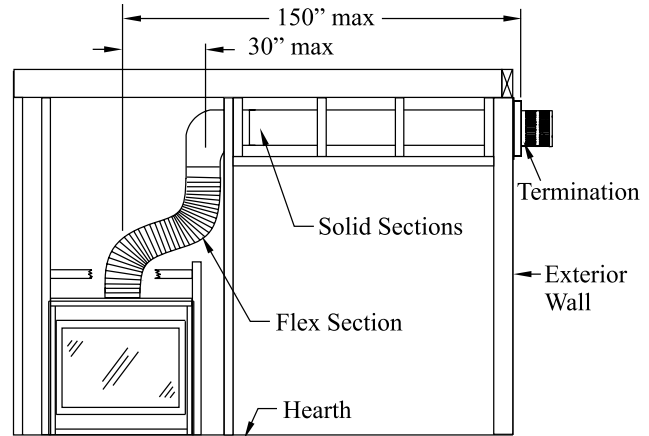
**Figure 10.** Typical Top Vent installation. The solid sections can be used in various combinations to obtain the desired vent run. The vent run must fall within the limits set by the venting graph.

### Example 2:

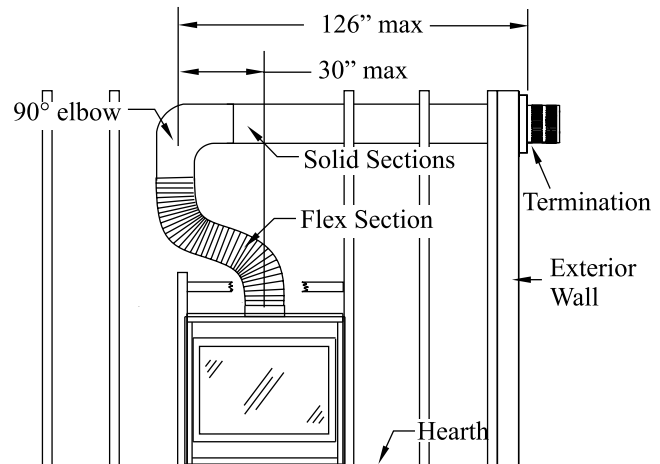
Rigid sections and an elbow used in conjunction with 3 ft. flex section (MFL-3) will, when extended in a five foot chase, allow for a maximum horizontal run of twelve and one-half feet from the centre of the fireplace to outside wall and a minimum of 7'6" when retracted in opposite direction (see Figure 11).

"C" flex sections and "D" rigid sections (See table on page 9) may be used in conjunction with one another to obtain different possible horizontal length installations, Figure 12.

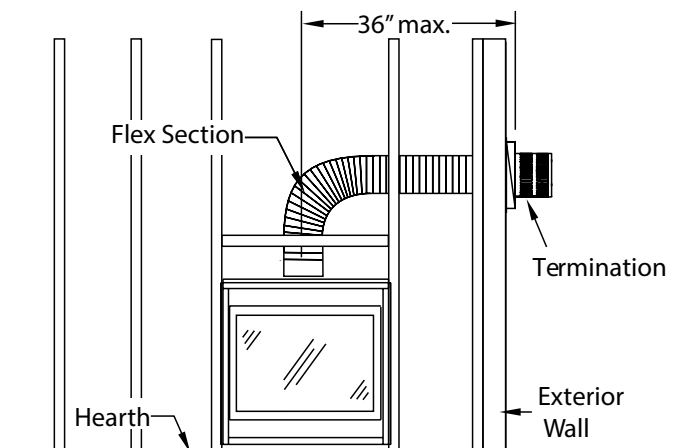
**NOTE:** Flex section with no vertical rise must not exceed maximum horizontal length of 3 feet (see Figure 13). Flex runs over 3 feet must fall within the limits set by the venting graph, and must have a minimum vertical rise of 3" per foot of flex.



**Figure 11.** Extended Installation using a combination of solid and flex venting. Use the vent graph to determine your allowable run, then select appropriate components.



**Figure 12.** Retracted Installation using a combination of solid and flex venting. Use the vent graph to determine your allowable run, then select appropriate components.



**Figure 13.** Horizontal flex installation with no vertical rise.



# Installation

## B. Vertical (Through-The-Roof) Installations

- Vertical Terminations must be installed:
  - minimum 2' (two feet) above the highest point where vent passes through the roof.
  - minimum 6' (six feet) from a mechanical air inlet
  - minimum 18" (1 1/2 feet) from a parapet wall.
- Maximum vent height is 32 feet above fireplace.
 

Note: Flame characteristics will change if the maximum vent height is used.
- Minimum clearances 1" from vent to all combustibles materials must be maintained.

- A maximum of two offsets (each offset has two 90° bends) may be made and shall not exceed total length of 25% of the vertical vent height, when measured center to center of piping.
 

Example: Typical vent installation.  
 20' vertical vent  
 2 - 2' offsets required  
 25% of 20' = 5' max. offset allowed

This venting configuration meets requirements.

	4" / 7" Venting
A - Termination	MVTK-1
B - Stucco Kits	MSR (Stucco Frame) MOSR (Stucco Can) BSR ( Brick Can)
C - Flex Sections	MFL-1 (12" f/f Section) MFL-2 (24" f/f Section) MFL-3 (36" f/f Section) MFL-4 (48" f/f Section) MFL-6 (72" f/f Section)
D - Rigid Sections	MEXT-1 (12" m/f Section) MEXT-2 (24" m/f Section) MEXT-3 (36" m/f Section) MEXT-4 (48" m/f Section) MEXT-6 (72" m/f Section)
E - Support Ring & Plate	MSPXT-7
F - Firestop	FS-7
G - Roof Flashing	MRF-7 (1/12 - 7/12 pt.) MRF-12 (7/12 - 12/12 pt.)

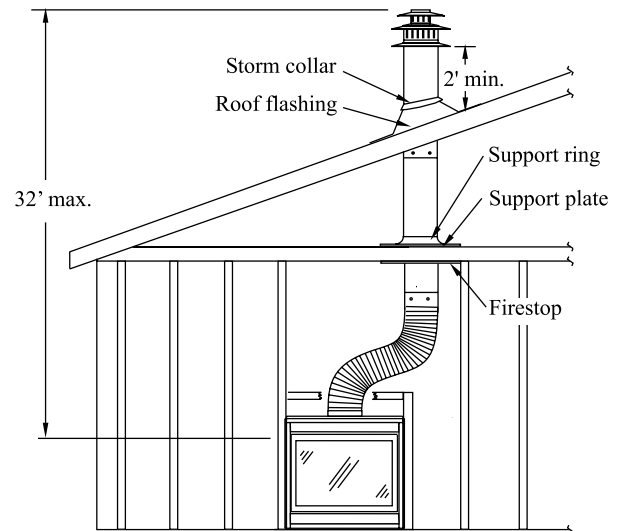


Figure 15. Vertical venting with 1 offset (1 offset= two 90° bends).

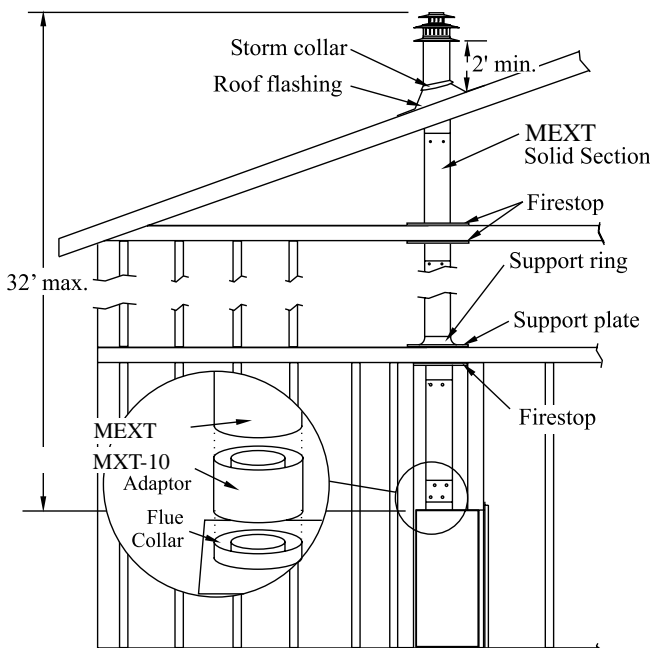


Figure 14. Straight, vertical venting showing required MXT-10 adaptor (supplied with the MVTK-1 termination).

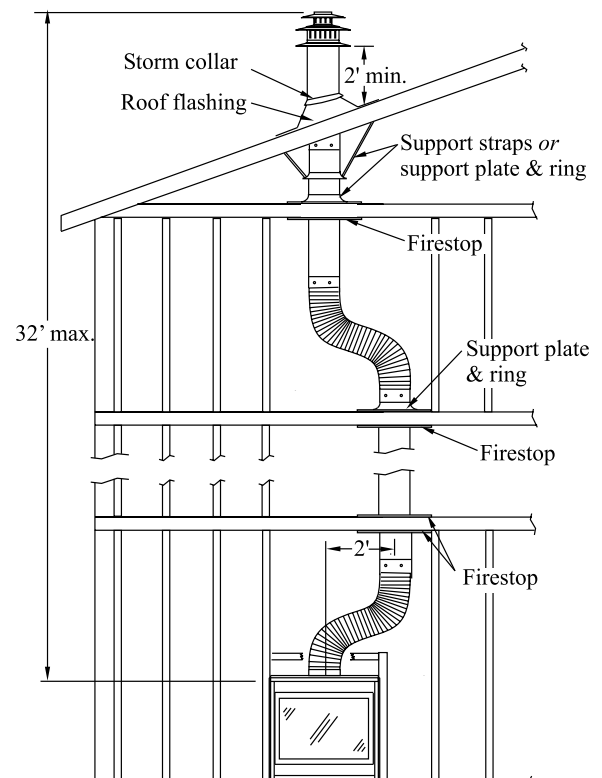


Figure 16. Vertical venting with 2 offsets (1 offset= two 90° bends).

# Installation



## Rear Vent Venting Runs

The B-Series DV-2 Rear Vent has three possible installations which do not require vertical lift.

### 1. Straight Installation.

The B-Series DV-2 rear vent versions are supplied with and 18" extension pipe (EXT-18) with female/female connections. For shorter installations, cut the EXT-18 to the desired length. Refer to **page 6** for measurements from the hearth to the center of the termination.

**Note:** For Rear Vent models, maximum horizontal run with no vertical lift must never exceed 18".

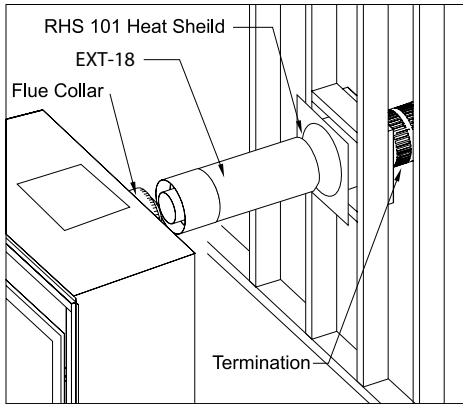


Figure 17. *Extended installation.*

### 2. 45° Corner Installation.

Attach an EEL-45 (45° elbow) directly onto the flue collar. Cut the EXT-18 to suit, and attach it to the EEL-45. Slide the fireplace into position and attach to the termination. **Maximum horizontal run must not exceed 18"**

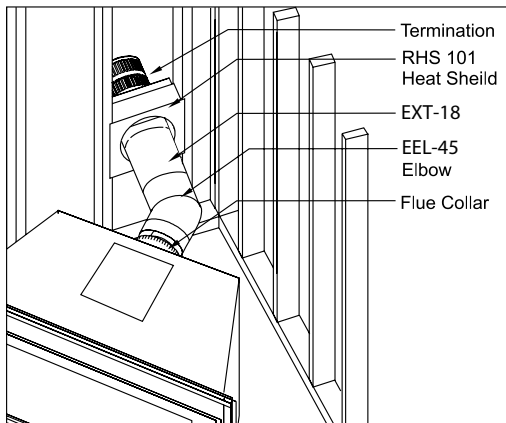


Figure 18. *Corner installation.*

### 3. Corner Installation — 45° or less.

Use an MTO-4 or MTO-4F termination, an MFL-1 or MFL-2(12" or 24" compressed length) and a frame, if appropriate. Flex may be turned to obtain desired degree of angle required but must not exceed 45°.

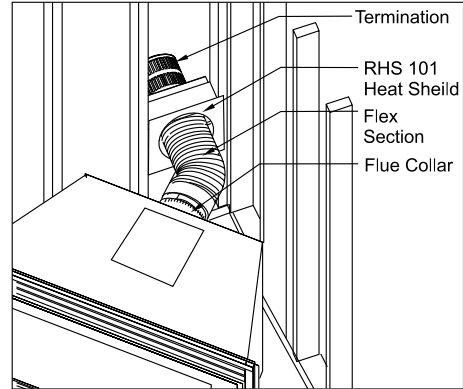


Figure 19. *Flex installation.*



# Installation

## B. Multi-Elbow Installations

For more difficult installation situations, the B-Series DV-2 Rear Vent may be installed with two - 90° elbows and up to 15' of horizontal run. If using this installation option, you must adhere to the following guidelines:

**Important:** Some models are not available to be installed in a rear vent application. Please refer to the model specifications on page 3 of this manual.

- the first 90° elbow must be placed directly on the flue collar
- you must have a minimum vertical lift of 50" (measured from the hearth)
- your vent run must fall within the limits set by Figure 20.

Before you install any venting, you must determine whether the venting run will be acceptable. Unacceptable venting can affect the fireplace's combustion.

### The Venting Graph

Measure the vertical height from the fireplace hearth to the centre of the termination and the horizontal run from the fireplace flue collar to the wall flange of the termination. Plot on the Venting Graph (Fig. 20) with an 'X'.

If the 'X' falls on or above the top boundary of the shaded area, the installation is acceptable.

### Example A: (Acceptable Installation)

If the vertical dimension from the hearth is 84" and the horizontal run to the wall flange of the vent termination is 30", this would be an acceptable installation.

### Example B: (Acceptable Installation)

If the vertical dimension from the hearth is 108" and the horizontal run to the wall flange of the vent termination is 120", this would be an acceptable installation.

### Example C: (Unacceptable Installation)

If the vertical dimension from the floor of the fireplace is 72" and the horizontal run to the wall flange of the vent termination is 84", this would **NOT** be an acceptable installation.

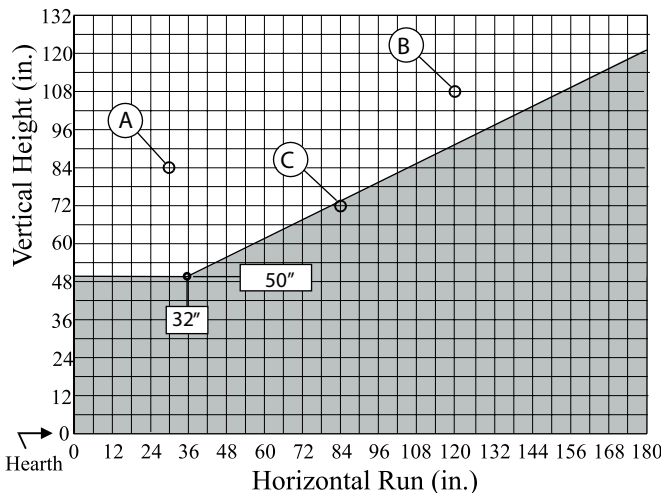


Figure 20. B-Series DV-2 Multi-Elbow Venting Graph.

## Installation of Rear Vent DV-2

The following venting components are available from a B-Series DV-2 in a Rear Vent Installation:

	4" / 7" Venting
A - Termination	MTO-4 (3" Length) MTO-4F (3" Length)
B - Stucco Kits	MSR (Stucco Frame) BSR-4 (4" Brick Frame) BSR-6 (6" Brick Frame) MOSR (Stucco Can)
C - Flex Sections	MFL-1 (12" Section) MFL-2 (24" Section) MFL-3 (36" Section) MFL-4 (48" Section) MFL-6 (72" Section)
D - Rigid Sections	MEXT-1 (12" m/f Section) EXT-18 (18" f/f section) MEXT-2 (24" m/f Section) MEXT-3 (36" m/f Section) MEXT-4 (48" m/f Section) MEXT-6 (72" m/f Section)
E - Elbows	MEL-90MM (m/m 90° Elbow) MEL-90FF (f/f 90° Elbow) MEL-90FM (f/m 90° Elbow) EEL-45 (f/m 45° Elbow)

**NOTES:** All dimension lengths for vertical or horizontal runs are measured from center of the vent pipe.

Venting runs *must* fall within the limits set by the venting graph (see Figure 20).

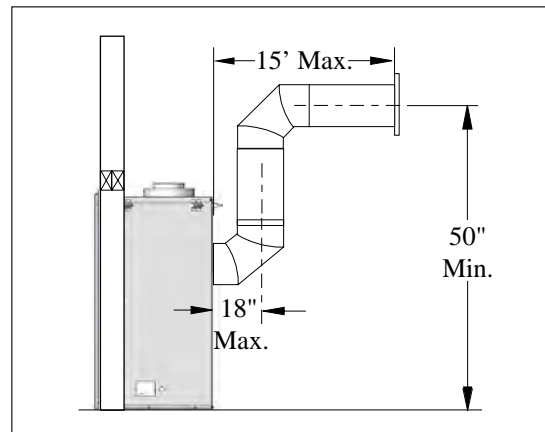


Figure 21. Multi-elbow installation. (For the B-Series the vertical distance must be a minimum of 50". The vent run must comply with the Graph, figure 20).



# Installation



## Finishing Around the Fireplace

Combustible mantels and mouldings may be safely installed over the top and on the front of the fireplace provided that they do not project beyond shaded area shown in Figure 22 or 22a. Side wall clearances are 3". Combustible surrounds may be installed with 3" clearance to the side of the fireplace as shown in Figure 23.

### Fireplace Facing

When selecting the finish material for your fireplace, it is important to remember the following: **THE HORIZONTAL LOUVRES MUST NOT BE OBSTRUCTED IN ANY WAY** - to do so restricts the air supply for the control compartments and heat exchanger it also prevents access for servicing controls.

The face of the fireplace may be painted to match the room decor, provided you use a heat-resistant paint. Decorative facing must not extend past the fireplace opening at all, because it will interfere with the access to retainers for removal of glass door.

#### B34DV-2

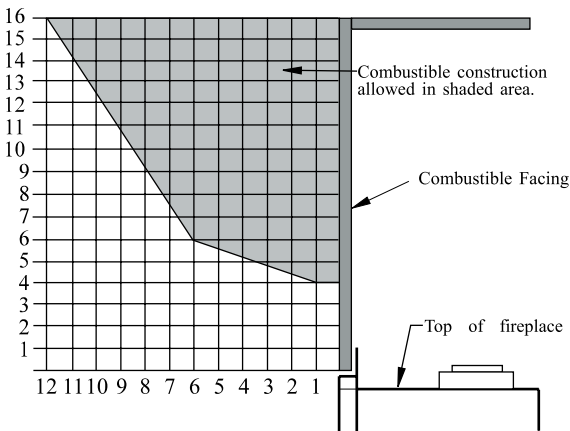


Figure 22. Combustible mantles and facings for B34DV-2.

#### B38DV-2

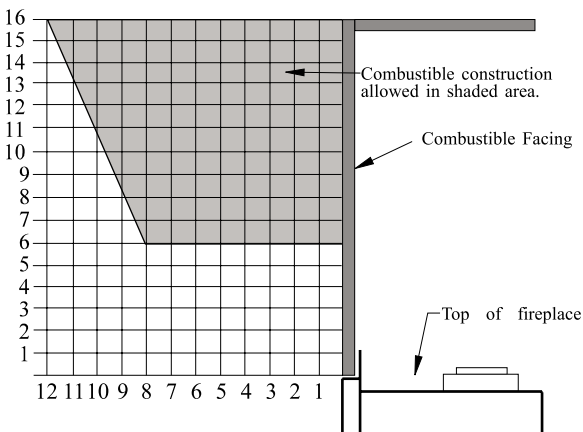


Figure 22a. Combustible mantles and facings for B38DV-2.

## Mantels & Surrounds

**NOTE:** National Canadian Gas Association mantel test requirements are for fire hazard prevention to combustible materials.

New technology, to meet consumer and government demands for the wise use of energy, has prompted us to manufacture many models of fireplaces which are hot, fuel and energy efficient.

Please be aware; temperatures over the mantel will rise above normal room temperature and walls above fireplace may be hot to touch.

### Warning:

When covering the upper metal portion of the fireplace with a non-combustible material Please Note: The decorative facing materials may be subject to temperatures in excess of 250° F. This should be considered when selecting facing materials.

We recommend careful consideration be given to the effects of elevated mantel temperatures which may be in excess of product design, for example: candles, plastic or pictures. This can cause melting, deformation, discolouration or premature failure of T.V. and radio components.

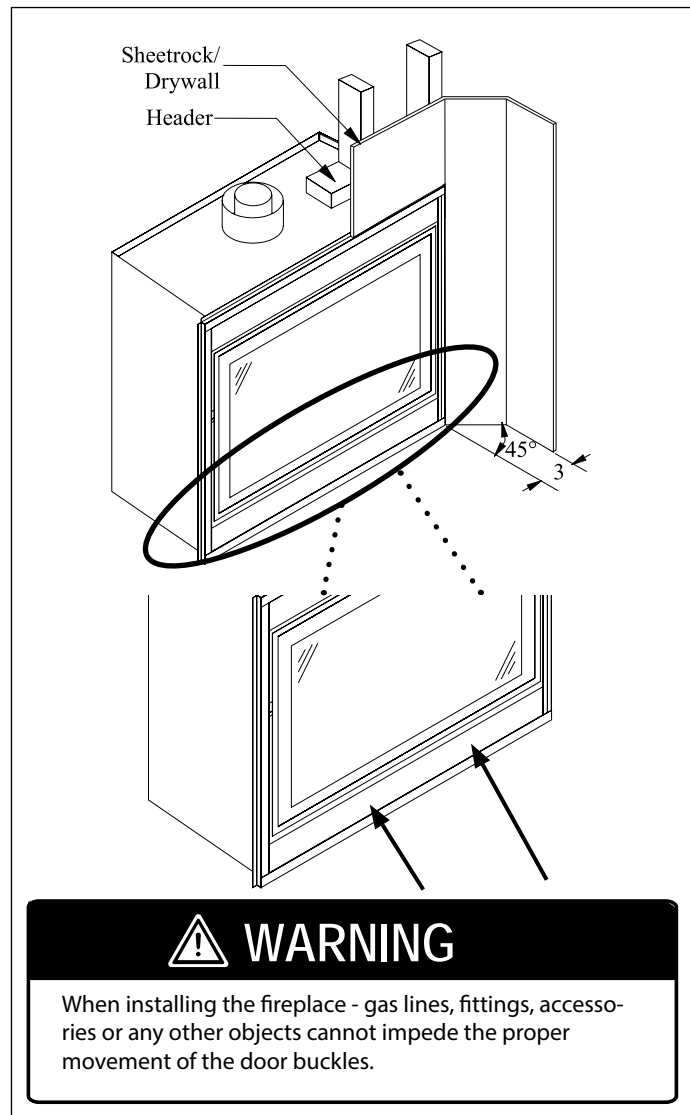
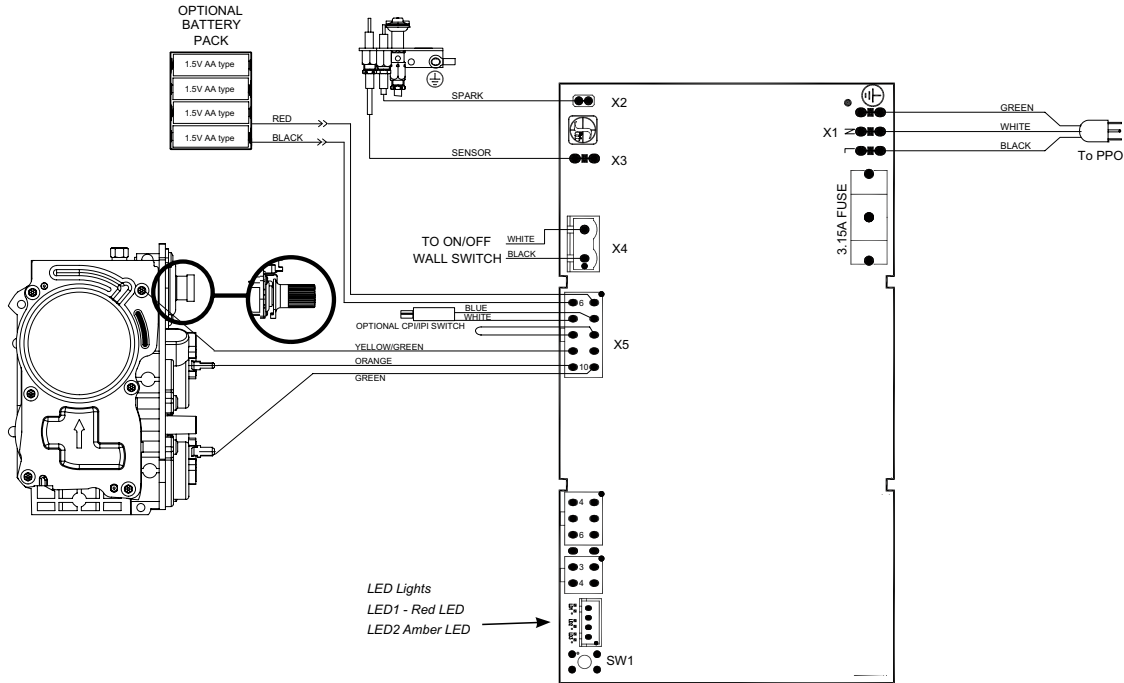


Figure 23. Combustible surrounds.

# Installation

## Wiring



**Figure 24.** Wiring Diagram for the *SIT Proflame 2* Electronic Ignition

### Wiring for the optional Fan Kit

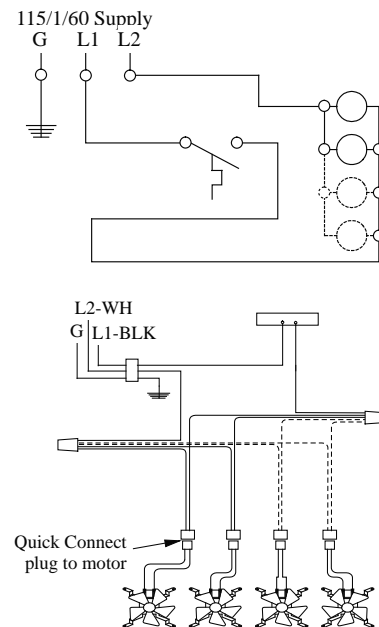
All B-Series DV-2 fireplaces may be equipped with optional fan kits for circulating heat into the living space.

Installations in Canada which employ the fans must be electrically grounded in accordance with **CSA C22.1** Canadian Electrical Code Part 1 and/or Local Codes.

Installations in the USA which employ the fans must be grounded in accordance with local codes or, in the absence of local codes, with the National Electrical Code, **ANSI/NFPA 70-1987**.

For more information see the **Fan Kit Installation Guide** included with the fan kit.

**NOTE:** If any of the original wire supplied with the appliance is replaced, it must be replaced with the same type, or its equivalent.



**Figure 25.** Wiring schematic for optional fans.

# Installation



## CPI [Continuous Pilot Ignition] / IPI [Intermittent Pilot Ignition] Jumper Cable Installation on Proflame II Basic Board (only available for SIT Electronic Ignition Systems)

### “Why use CPI mode”?

CPI means “Continuous Pilot Ignition” or “Standing Pilot” as it is commonly known. IPI means “Intermittent Pilot Ignition”, which only initializes the pilot when you are going to be using the appliance.

There are several reasons why you may choose to use CPI mode. When a flue is cold it can be difficult to light the appliance. It can take a bit of time (particularly on tall vents) to initialize vent action. This can result in “lifting” or “ghosting” of the flames during the first two to three minutes of operation. It is also possible to encounter times when the fireplace fails to light successfully. The fireplace will then attempt to re-light a second or third time depending on prevailing temperatures or altitude. When in CPI mode the pilot also keeps the system warm. During a “cold” start, condensation will normally form on the inner glass surface of the door. This condensation will quickly dry, however, the condensation tends to run down the glass and cause some streaking. CPI mode helps to resolve this issue. If CPI mode is used during the winter months the energy it takes to run the pilot is partially recovered as heat into the building, so it does not waste as much energy as running a pilot in the off season.

A connector is supplied with this unit that can be plugged into the controller. When the CPI jumper is plugged into the controller wiring harness the pilot will light and run continuously. Use the wall switch to turn on the main burner. Remove the CPI jumper to turn off CPI and return to IPI.

### The difference between IPI and CPI:

**IPI (Intermittent Pilot Ignition) Mode:** is a fuel saving mode in which the pilot is only used when the main burner is on.

**CPI (Continuous Pilot Ignition) Mode:** The Pilot runs continuously even when the main burner is off.

### Installing the CPI Jumper Cable

1). Access the controller (refer to the installation and maintenance manual for your model).



Figure 26.

2). Remove the bag containing the Jumper Cable from the wiring harness connected to the controller as shown in Figure 26.

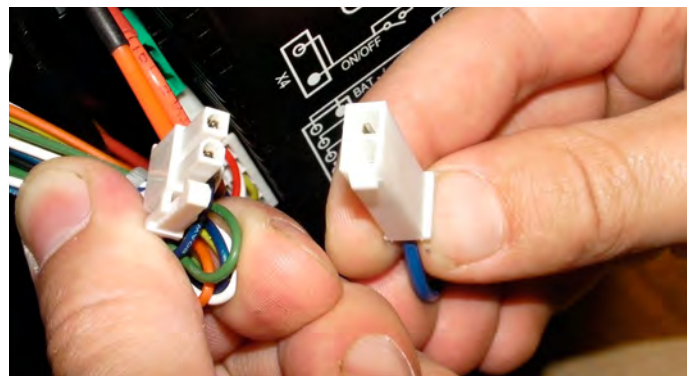


Figure 26a.

3). Find the corresponding plug attached to the control wire harness.

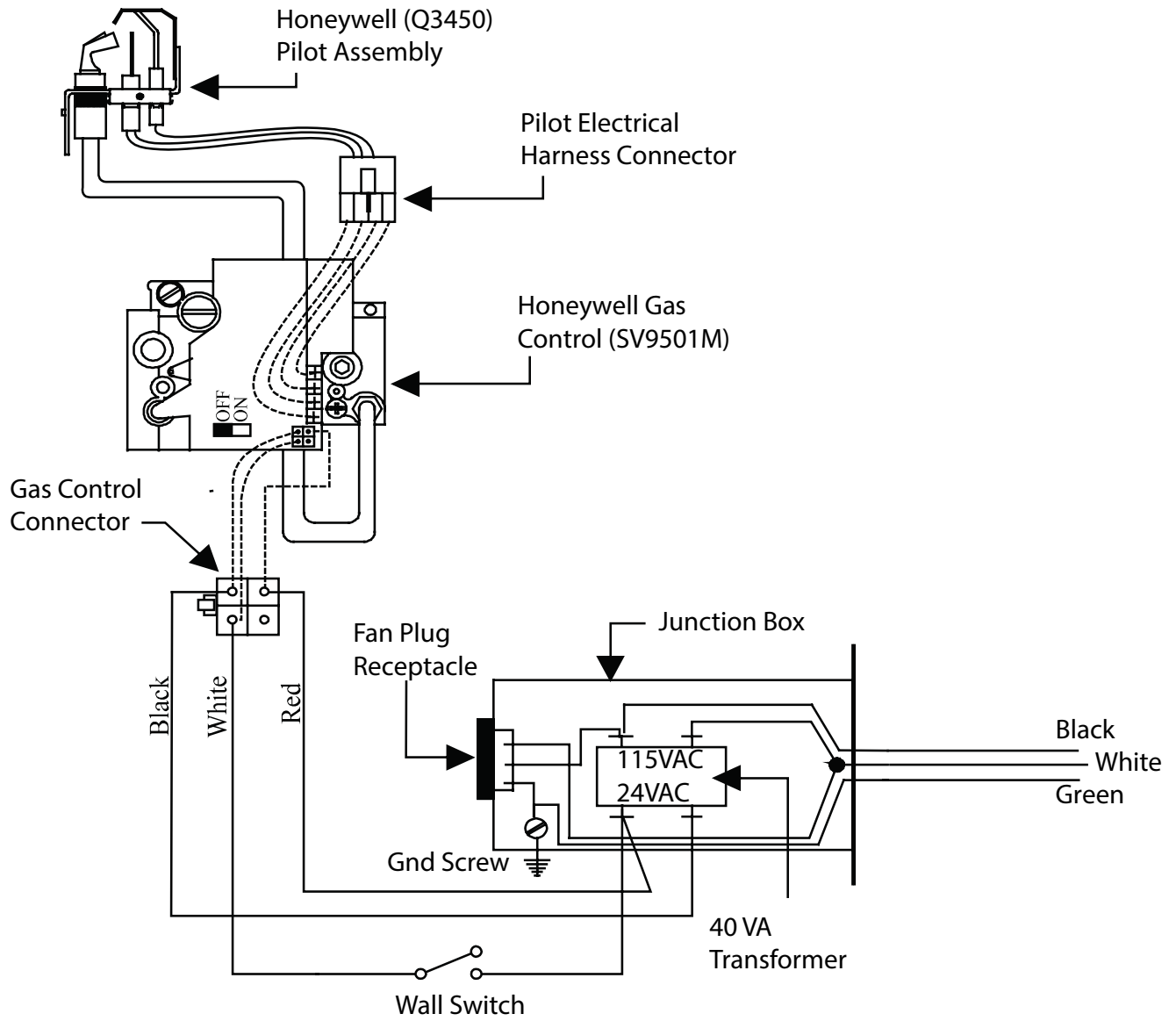


Figure 26b.

4). The pilot will light and burn continuously.

**Installation**

**Gas Control and Pilot Wiring** B-Series DV-2-I



**Figure 27.** Wiring for the B-Series DV-2-I with Honeywell gas control and pilot.

# Installation



## Removing the screen and door:

Remove the screen by pulling towards yourself. The screen is held on with spring clips in each corner.

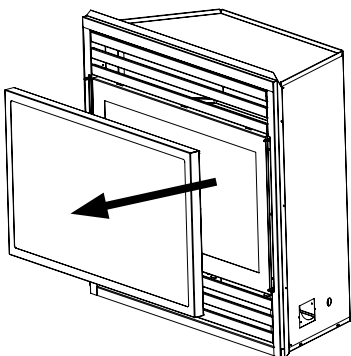


Figure 28. Removing the screen

## Removing the screen and door:

Remove the trim (Figure 28) to access the door latches.

Open the latches by pulling Part A upwards and towards you to disengage Part B from the door. Lift Part B clear of the door. Repeat for both latches. Be sure to hold the door carefully so it does not fall. (See figure 27a.)

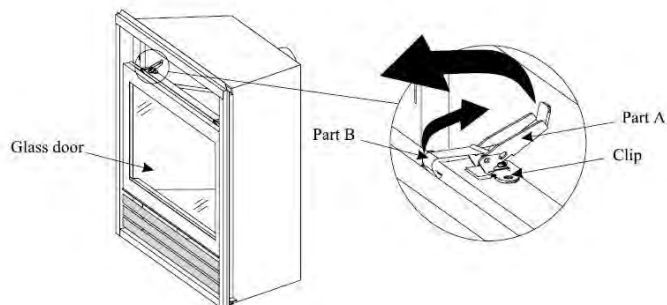


Figure 28a. Removing and installing the glass door.

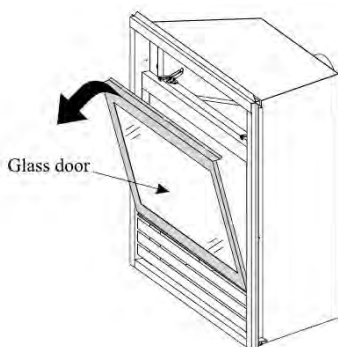


Figure 28b. Removing and installing the glass door.

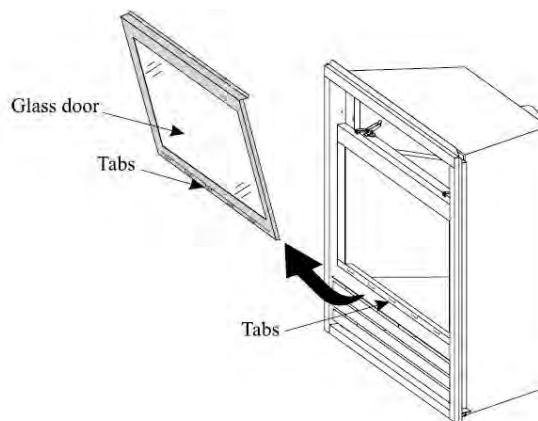


Figure 28c. Removing and installing the glass door.





## Installation

### Reinstalling the screen and door:

To reinstall the door, tilt the top edge towards you and line up the tabs of the bottom of the door with the slots on the fireplace. Place the tabs into the slots, and tilt the top of the door back towards the fireplace as far as it will go. Close the latches by holding Part B onto the groove at the top of the door and pushing Part A down completely.

To reinstall screen, push the screen back onto the ball studs on the fireplace frame.

### Installing the Trim & Baffle:

The 6 horizontal trim pieces (3 upper and 3 lower) are purchased separate from the fireplace, and must be field-installed.

Install the trim by placing the top edge of the trim over to the retainer clips on either side of the fireplace. Push the bottom edge firmly inwards and the trim will snap on (See figure 28). Install the upper trim pieces so that the baffle is resting between the top and middle piece, as shown below.

The trim piece with the Montigo emblem should be installed on the lower middle clips with the emblem on the right side.

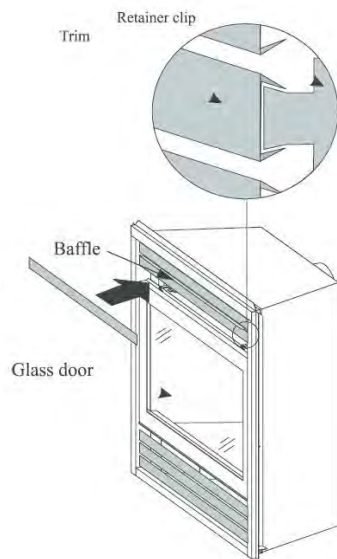


Figure 29. Installing the Trim.

### WARNING

When reinstalling door(s), always make sure all door buckles are properly hooked and fully engaged.

### WARNING

When installing the fireplace - gas lines, fittings, accessories or any other objects cannot impede the proper movement of the door buckles.

# Installation



## Installing the Log Set

### Single Cast Log Set

#### Installing the Logs:

Unpack the log set and handle very carefully.

1. Remove the door cover and the glass door.
2. Place the single cast log. Set firmly in place as shown below.
3. Place the Front log onto the front log rest as shown in figure 30. Center the log from side to side, and push it against the back of the log rest. Carefully push the log onto the metal spikes on the log rest.
4. Place the top logs in position as shown in figure 30a, place the centre log down first, then the right and left logs.
5. Start the fireplace. If the flame appears satisfactory, replace the glass door and door cover.



Figure 30b. Proper log placement.

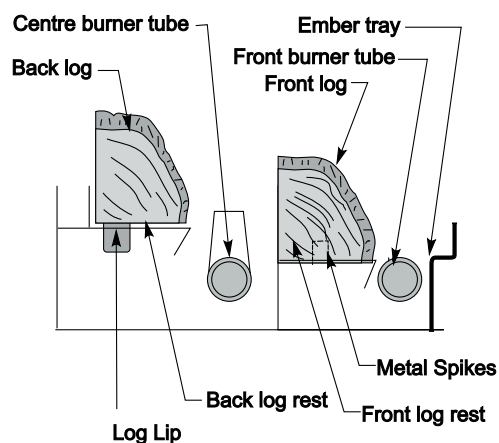


Figure 30. Positioning for the single cast log set.

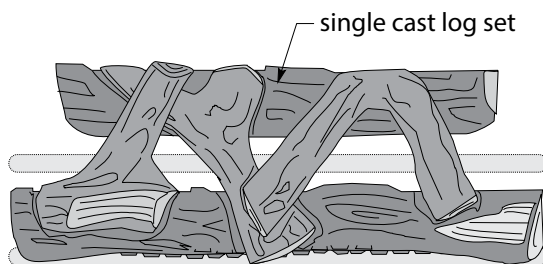


Figure 30a. Proper log placement.



#### CAUTIONS:

- If logs are not placed properly, excessive sooting will result.
- The surface of the logs will crack due to the heat of the flames. This is a normal occurrence.



# Installation

## 5-Piece Log Set

### Installing the Logs:

Unpack the logs and handle them very carefully.

1. Remove the door cover and the glass door.
2. Place the Back log onto the back log rest as shown below in **figure 30c**. The log has lip on the bottom which fits into the slot on the log rest.
3. Place the Front log onto the front log rest as shown in **figure 30c**. Center the log from side to side, and push it against the back of the log rest. Carefully push the log onto the metal spikes on the log rest.
4. Place the top logs in position as shown in **figure 30d** through **figure 30i**. Place the centre log first, then the right and left logs.
5. Start the fireplace. If the flame appears satisfactory, replace the glass door and door cover.



Figure 30e. Back log placement.

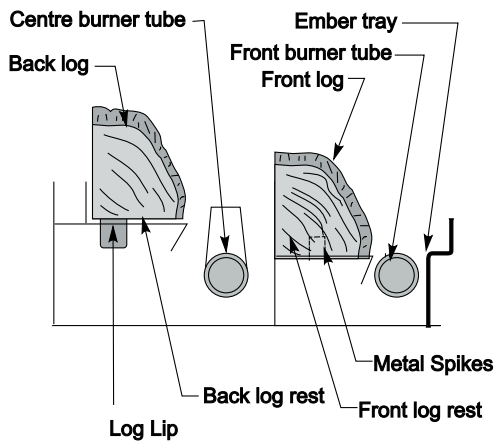


Figure 30c. Positioning for the front and back logs.



Figure 30f. Front log placement.

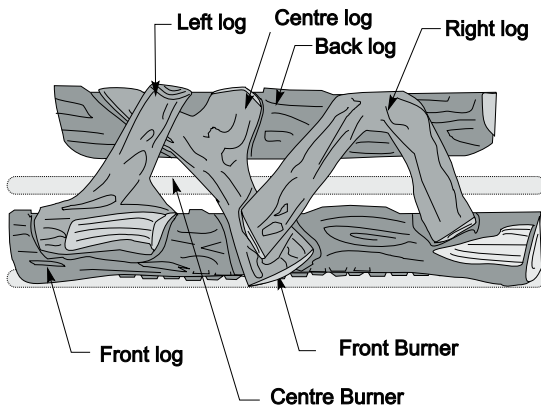


Figure 30d. Proper log placement.



Figure 30g. Centre log placement.

# Installation



Figure 30h. Right log placement.



Figure 30i. Left log placement.



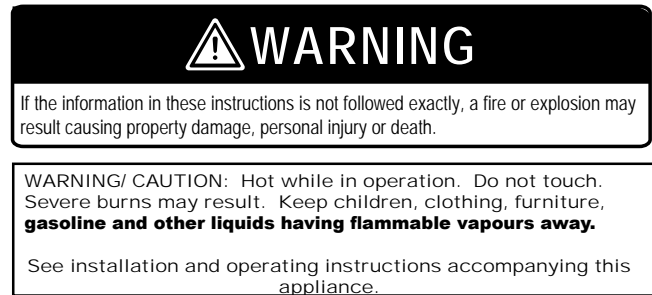
### Cautions:

- If logs are not placed properly, excessive sooting will result.
- The surface of the logs will crack due to the heat of the flames. This is a normal occurrence.



## Operation

For Your Safety - READ BEFORE LIGHTING:

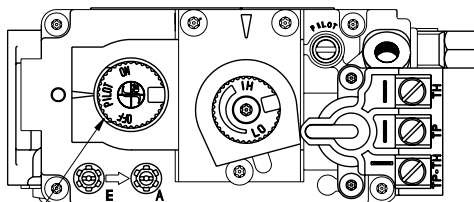


- A. This appliance is equipped with an ignition system that lights the pilot burner automatically. Do not attempt to light the pilot by hand.
- B. BEFORE LIGHTING smell all around the appliance area for gas. Be sure to smell next to the floor because some gas is heavier than air and will settle on the floor.  
**What To Do If You Smell Gas:**
  - Do not try to light any appliance.
  - Do not touch any electrical switch; do not use any phone in your building.
  - Immediately call your gas supplier from a neighbour's phone. Follow the gas supplier's instructions.
  - If you cannot reach your gas supplier, call the Fire Department.
- C. Use only your hand to push in or turn the gas control knob. Never use tools. If the knob will not push in or turn by hand, don't try to repair it, call a qualified service technician. Force or attempt to repair may result in a fire or explosion.
- D. Do not use this appliance if any part has been under water. Immediately call a qualified service technician to inspect the appliance and to replace any part of the control system, and any gas control which has been under water.

### Standing (Continuous) Pilot Ignition (SIT NOVA 820)

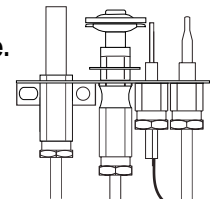
#### Lighting Instructions:

1. **STOP!** Read the safety information above on this label.
2. Flip down the lower trims.
3. Push in gas control knob and turn clockwise ↻ to "OFF."
4. Wait five (5) minutes to clear out any gas. Smell for gas, including near the floor. If you then smell gas, **STOP!** Follow "B" in the safety information above on this label. If you don't smell gas, go to the next step.
5. Locate pilot burner (*See illustration at right.*) and follow steps below.
6. Turn knob on gas control counter clockwise ↶ to "PILOT."
7. Push in gas control knob completely and hold. Light with Piezo Igniter button. Continue to hold the control knob in for about (1) minute after the pilot is lit. Release the knob and it will pop back up. Pilot should remain lit. If it goes out repeat steps 3 through 8.
  - If knob does not pop up when released. Stop and immediately call your service technician or gas supplier.
  - If the pilot will not stay lit after several tries, turn the gas control knob to "OFF" and call your service technician or gas supplier.
8. Push in gas control knob and turn counter-clockwise ↶ to "ON."
9. Flip up the lower trim.
10. Turn on remote switch to ignite fire.



Gas Control Knob  
(Shown in "Pilot" position)

**NOTE:** Gas control knob cannot be turned from "PILOT" to "OFF" unless knob is pushed in slightly. Do not force.



#### To Turn Off Gas To Appliance:

1. Turn off remote switch.
2. Flip down the lower trim.
3. Push in gas control knob slightly and turn ↻ clockwise to "Off". Do not force.
4. Flip up the lower trim.

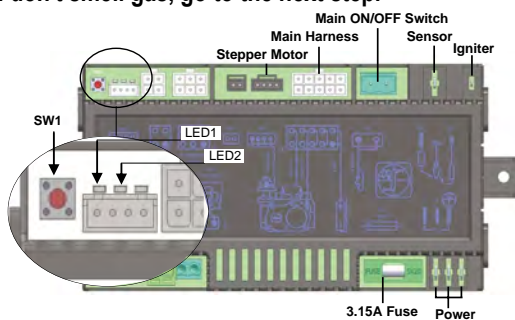




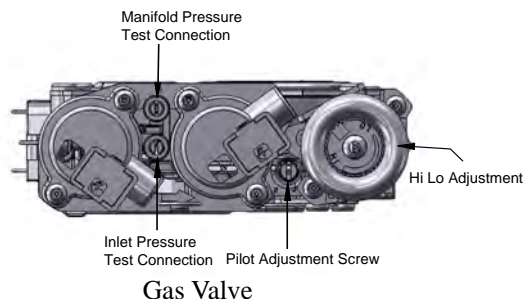
## SIT Proflame 2 Electronic Ignition

### Lighting Instructions:

1. **STOP!** Read the safety information above on this label.
2. Remove the lower Horizontal access panel.
3. Turn "ON" manual "ON/OFF" switch located below the horizontal access panel (if available).
4. Turn Incoming gas valve to the "ON" position.
5. Wait 5 minutes to clear out any gas. If you smell gas, **STOP!** Follow "B" in the safety information above on this label. If you don't smell gas, go to the next step.
6. Turn fireplace "ON" using wall switch or remote control.
7. If the Fireplace does not light, the System will cycle through two trials, (one minute audible clicking, thirty seconds of silence, and then another one minute of audible clicking). If the system locks out due to inadequate gas flow, refer to "Troubleshooting" in instruction guide.
8. After completion of the information in the Troubleshooting section, Repeat step 5.
9. If the system will not function correctly, follow the instructions "To Turn Off Gas To Appliance" and call your service technician or gas supplier.



SW1 = Programing Button  
 LED1 = Red Diagnostic Light  
 LED2 = Amber Programing Remote Control Light  
 Typical Control Module shown



### To Turn Off Gas To Appliance:

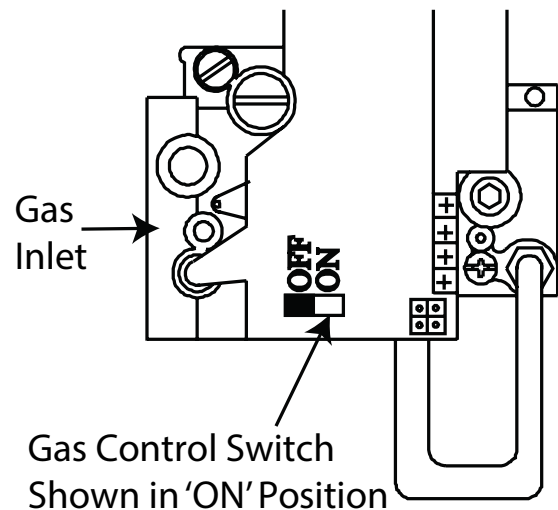
1. Turn off fireplace using wall switch or remote control.
2. Remove the lower Horizontal access panel.
3. Turn the incoming gas control valve to "Off".
4. Replace the lower Horizontal access panel.



## Honeywell Electronic Ignition

### Lighting Instructions:

1. **STOP!** Read the safety information above on this label.
2. Flip down the lower trims.
3. Turn switch on the gas control to **OFF**.
4. Wait 5 minutes to clear out any gas. If you smell gas, **STOP!** Follow "B" in the safety information above on this label. If you don't smell gas, go to the next step.
5. Turn switch on the gas control to **"ON"**. **NOTE:** This unit is equipped with an ignition system that lights the pilot burner automatically. **Do not attempt to light the pilot by hand.**
6. Turn on wall switch.
7. Flip up the lower trim.
8. If the fireplace does not operate, follow the instructions "To Turn Off Gas To Appliance" and call your service technician or gas supplier.



### To Turn Off Gas To Appliance:

1. Turn off remote switch.
2. Flip down the lower trim.
3. Turn the switch on the gas control to **"Off"**.
4. Flip up the trim.

# Operation - Model B-Series DV-2-F

B-Series D<sup>2</sup>-F

## Lighting Instructions

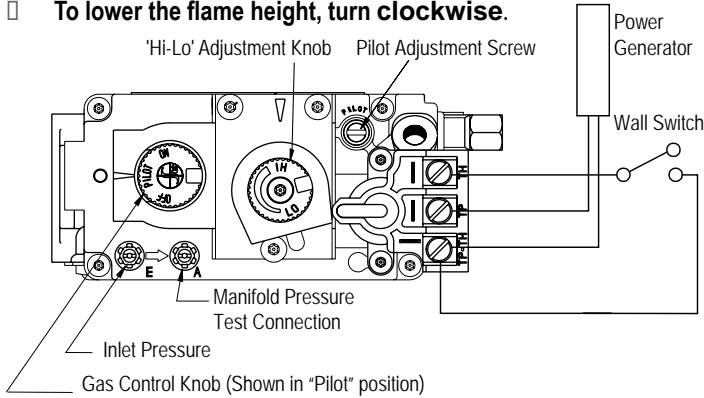
See pages 23 to 25.

**B-Series DV-2**

### Burner Adjustment SIT NOVA 820

The B-Series DV-2 is equipped with an adjustable burner, allowing you to raise or lower the flames. To adjust the flames, locate the black knob marked 'Hi-Lo', in the right of the gas control valve (See Figure 31). The front burners are not adjustable.

- To raise the flame height, turn the black knob (located behind the lower trim) counter-clockwise.
- To lower the flame height, turn clockwise.



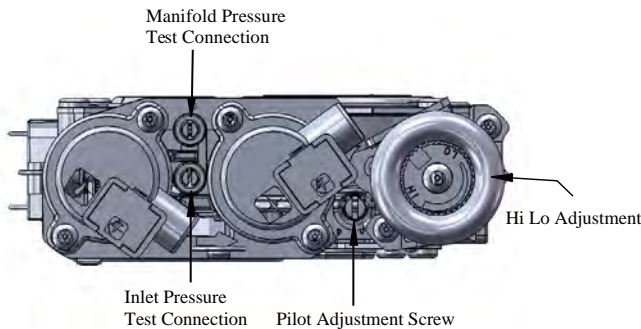
**Figure 31.** 'Hi-Lo' Adjustment on the B-Series DV-2's SIT Nova 820

**B-Series DV-F**

### Burner Adjustment SIT PROFLAME 2 HI-LO

The B-Series DV-2-F is equipped with an adjustable burner, allowing you to raise or lower the flames. To adjust the flames, locate the black knob marked 'Hi-Lo', in the right of the gas control valve (See Figure 32). The front burners are not adjustable.

- To raise the flame height, turn the black knob (located behind the lower trim) counter-clockwise.
- To lower the flame height, turn clockwise.



**Figure 32.** 'Hi-Lo' Adjustment on the B-Series DV-2-F's SIT Proflame 2

**B-Series DV-2-I**

**Note:** B-Series DV-2-I models (electronic ignition) do not feature hi/lo adjustment.



### CAUTION

- Fireplace gas control must be in the "OFF" position and pilot and main burners extinguished when cleaning appliance with a vacuum.
- Doors and logs can get very hot. Handle only when cool.

## Maintenance

### General

- Have the fireplace and installation inspected yearly. The inspection must include, but is not limited to, the following:
  - A visual check of the entire vent system and termination.
  - An inspection of the explosion relief flappers and the door gasketing to ensure a proper seal.
  - An inspection of the burner, vent run, and primary air openings.
  - An inspection of the gas valve, gas components, and pilot flame. For your convenience a 1/8" manifold pressure tap is supplied on the gas valve for a test gauge connection. See Figure 31 & 32.
  - Ensure proper log placement as per this manual.
  - Inspection of all optional equipment; fans, thermostats, etc.
- For **Natural Gas** this appliance requires a minimum inlet pressure of 5.5" W.C. and a manifold pressure of 3.5" W.C.
- For **Propane Gas** this appliance requires a minimum inlet pressure of 11" W.C. and a manifold pressure of 10" W.C.
- Always keep the fireplace area clear and free of combustible materials, as well as gasoline and other flammable vapors and liquids.
- Do not use this appliance if *any part has been under water*. Immediately call a qualified service technician to inspect the appliance and to replace any part of the control system and any gas control which has been under water.

### Cleaning

When the fireplace is first activated, there may be some smoking and a visible film may be left on the glass. This is a normal condition, and is the result of burning of protective coatings on new metal.

- Glass must be cleaned periodically to remove any film (which is a normal by-product of combustion) which may be visible. Film can easily be removed by removing the door, as shown on page 18. Handle the door carefully, and clean it with non-abrasive glass cleaners. One of the most effective products is Kel Kem.
- Silicone seals on inner door during initial firing will "off gas", leaving a visual deposit of a white substance on combustion chamber walls. This can easily be removed from the chamber walls using normal household products.
- Use a vacuum cleaner or whisk broom to keep the control compartment, burner, and firebox free from dust and lint.
- Logs may be cleaned periodically with a vacuum to remove soot or other contaminants.



### WARNING:

Do not attempt to clean glass when hot.  
Do not clean glass with abrasive materials as any glass etching may cause premature glass failure. Use a non-abrasive, non-ammonia based glass cleaner.

# Maintenance



B-Series DV-2

B-Series DV-2-F

## Pilot Burner Adjustment.

1. Locate Pilot Adjustment Screw. (See figure 31 or 32.)
2. Adjust pilot screw to provide properly sized flame as shown.
3. After installing or servicing, leak test with a soap solution with main burner on. Coat pipe and tubing joints, gasket etc. with soap solution. Bubbles indicate leaks. Tighten any areas where the bubbles appear until the bubbling stops completely.

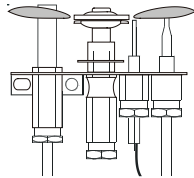


Figure 33. Pilot Burner.

## Troubleshooting: SIT Nova 820:

The following is a troubleshooting chart of possible problems:

PROBLEM	CORRECTIVE ACTION
Noisy Pilot Flame	Locate pilot adjustment screw on gas control valve. Flame is decreased by turning adjustment screw clockwise.
Pilot won't ignite	Disconnect remote wires and try to light pilot. If pilot now works, remote connections are faulty. Check wiring diagram figure 31.
Main burner will not light	1. Check wiring (see figure 31). 2. Check wall switch for proper connection.

## Troubleshooting: SIT Proflame 2:

PROBLEM	SOLUTION
Pilot Igniter won't spark	1. Check the MAIN ON-OFF switch (typically located below the valve cover) and turn ON 2. Ensure main power is ON or new batteries are installed in the remote control and backup battery pack (if available). 3. Check the 3.15A fuse in the control box and replace if necessary
Pilot Igniter sparking, but Pilot burner will not light	1. Verify the Inlet and Manifold Gas Pressure are within acceptable limits 2. Check all connections to gas valve 3. Check connection to stepper motor (if available)
Pilot lights , but Main burner will not Light	1. Check and verify all wiring connections as per the wiring diagram. 2. Verify the inlet and Manifold Pressure are within acceptable limits
Pilot lights , but Main burner will not Light and igniter continues to spark	1. Check the Pilot Flame Sensor Rod and clean with steel wool or similar. 2. Check the Pilot hood and clean with steel wool if dirty. 3. Adjust pilot flame using the pilot adjustment screw if the pilot flame is too long or too short (Flame should fully engulf the sensor rod and must be stable). 4. Check and make sure the ground wire from the pilot is connected to the fireplace body.
Fans not working	1. Ensure main power is ON (fireplace may be operating on back up batteries). 2. Check the 3.15A fuse in the control box and replace if necessary

If your fireplace still does not operate correctly, consult your local Montigo dealer.

**All service and repairs should be performed by a qualified Technician.**

All spare parts, optional fans, and optional trim finishes are available from your local Montigo dealer.

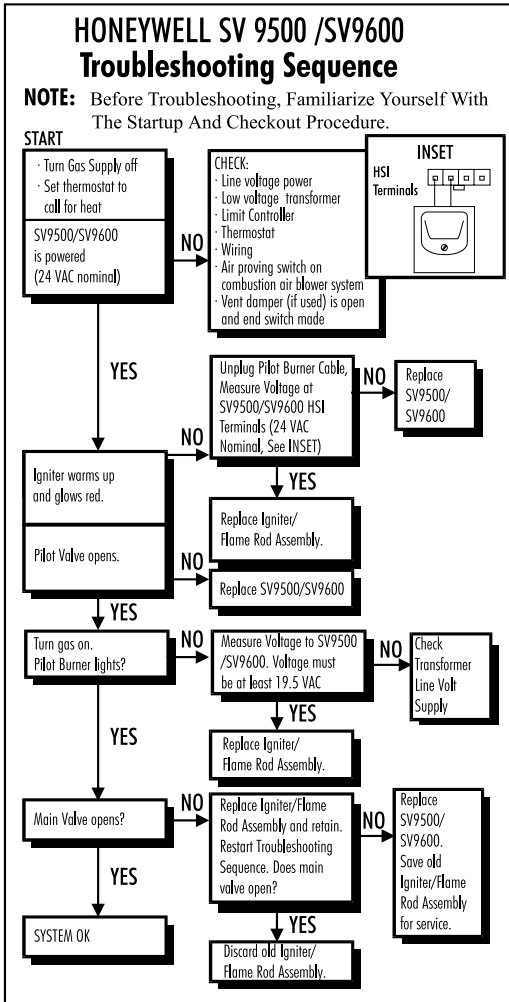
# Maintenance

## Troubleshooting B-Series DV-2-I

## Replacement Parts - B-Series DV-2

**Honeywell:**

The following is a troubleshooting chart of possible problems:



	B34DV-2	B38DV-2
<b>NG Gas Valve</b>	RGC1006	RGC1006
<b>LP Gas Valve</b>	RGC1005	RGC1005
<b>NG Pilot</b>	RPA020	RPA020
<b>LP Pilot</b>	RPA021	RPA021
<b>Burner NG Front</b>	Contact local dealer for burner information	
<b>Burner NG Rear</b>		
<b>Burner LPG Front</b>		
<b>Burner LPG Rear</b>		
<b>Thermocouple</b>	RTC182	RTC182
<b>Thermopile</b>	RPG001	RPG001
<b>Pilot Tubing</b>	RPTA03	RPTA03
<b>PIEZO Ignitor</b>	PIEZO	PIEZO
<b>Door</b>	RDTSC34	RDTSC38
<b>Log Set</b>	RLGSB34	RLGSB38
<b>Screen</b>	RSCB34	RSCB38



# Warranty

## The Warranty

The Companies warrants the Montigo Gas Appliance to be free from defects in materials and workmanship at the time of manufacture. On the Montigo, there is a ten-year warranty on the firebox and its components, a five-year warranty on the main burner and pilot burner, and a one-year warranty on the gas control valve and fibre logs. Glass, plated/painted finishes, and refractory lining are exempt.

### Remedy And Exclusions

The coverage of this Warranty is limited to all components of the Gas Appliance manufactured by The Companies.

This Warranty only covers Montigo Gas Appliances installed in the United States or Canada.

If the components of the Gas Appliance covered by this Warranty are found to be defective within the time frame stated (see The Companies right of investigation outlined below). The Companies will, at its option, replace or repair defective components of the Gas Appliance manufactured by The Companies at no charge, and will also pay for reasonable labour costs incurred in replacing or repairing components. If repair or replacement is not commercially practical, The Companies will, at its option, refund the purchase price of the Montigo Gas Appliance.

This Warranty covers only parts and labour as provided above. In no case shall The Companies be responsible for materials, components, or construction which are not manufactured or supplied by The Companies, or for the labour necessary to install, repair or remove such materials, components or construction. All replacement or repair components will be shipped F.O.B. the nearest The Companies factory.

### Qualifications To The Warranty

The Gas Appliance Warranty outlined above is further subject to the following qualifications:

- (1) The Gas Appliance must be installed in accordance with The Companies installation instructions and local building codes. The Warranty on this Montigo Gas Appliance covers only the component parts manufactured by The Companies. The use of components manufactured by others with this Montigo Gas Appliance could create serious safety hazards, may result in the denial of certification by recognized national safety agencies, and could be in violation of local building codes. This warranty does not cover any damages occurring from the use of any components not manufactured or supplied by The Companies
- (2) The Montigo Gas Appliance must be subjected to normal use. The Gas Appliances are designed to burn gas only. Burning conventional fireplace fuels such as wood, coal or any other solid fuel will cause damage to the Gas Appliance, will produce excessive temperatures and will result in a fire hazard.

### Limitations On Liability

It is expressly agreed and understood that The Companies sole obligation, and purchaser's exclusive remedy under this Warranty, under any other warranty, expressed or implied, or in contract, tort or otherwise, shall be limited to replacement, repair, or refund, as specified above.

In no event shall The Companies be responsible for any incidental or consequential damages caused by defects in its products, whether such damage occurs or is discovered before or after replacement or repair, and whether or not such damage is caused by The Companies negligence. Some states do not allow the exclusion or limitation of incidental or consequential damages, so the above limitation or exclusion may not apply to you. The duration of any implied warranty with respect to this Montigo Gas Appliance is limited to the duration of the foregoing warranty. Some states do not allow limitation on how long an implied warranty lasts, so the above may not apply to you.

### Investigation Of Claims Against Warranty

The Companies reserves the right to investigate any and all claims against this Warranty and to decide upon method of settlement.

### The Companies Are Not Responsible For Work Done Without Written Consent

The Companies shall in no event be responsible for any warranty work done without first obtaining The Companies written consent.

### Dealers Have No Authority To Alter This Warranty

The Companies employees and dealers have no authority to make any warranties nor to authorize any remedies in addition to or inconsistent with those stated above.

### How To Register A Claim Against Warranty

In order for any claim under this Warranty to be valid, The Companies must be notified of the claimed defect in writing or by telephone, as soon as reasonably possible after the defect is discovered. Claims against this Warranty in writing should include the date of installation, and a description of the defect.

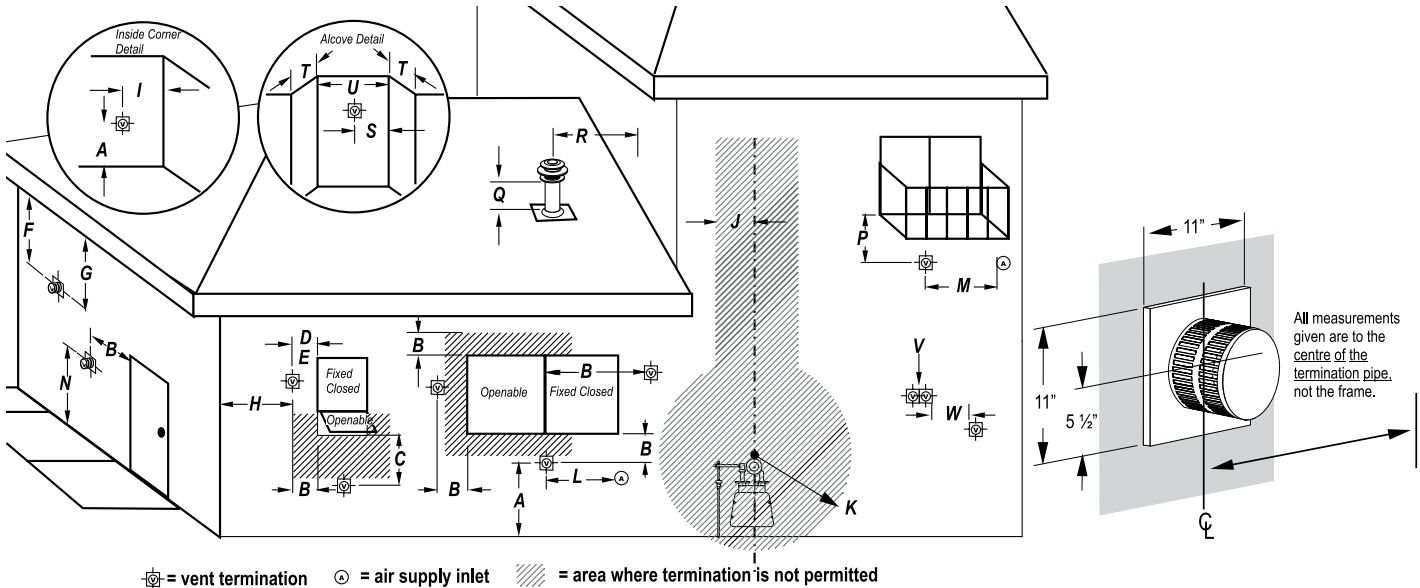
### Other Rights

This Warranty gives you specific legal rights, and you may also have other rights which vary from state to state.

**NOTE:** *The Companies as stated above refer to - Canadian Heating Products Inc. and/or Montigo Del Ray Corp.*

*Canadian Heating Products Inc. and/or Montigo DelRay Corp. reserves the right to make changes at any time, without notice, in design, materials, specifications, prices and also to discontinue colors, styles and products.*

# Appendix A - Termination Locations



All measurements given are to the centre of the termination pipe, not the frame.

Location	Canada*	USA**
<b>A</b> clearance to the termination frame above grade, veranda, porch, deck, or balcony	12 inches	12 inches
<b>B</b> clearance to top of doors or operable windows	12 inches	12 inches
<b>C</b> clearance to sides or bottom of door or operable windows	9 inches	12 inches
<b>D</b> clearance to permanently closed window when installed with approved glass penetration termination	0	0
<b>E</b> clearance to permanently closed window Recommended to prevent condensation	16 inches	16 inches
<b>F</b> clearance to ventilated soffit located within a horizontal distance to 24 inches from centerline of termination	22 inches	22 inches
<b>G</b> clearance to unventilated soffit	30 inches to combustibles 16 inches to non-combustibles	30 inches to combustibles 16 inches to non-combustibles
<b>H</b> clearance to outside corner	9 inches	9 inches
<b>I</b> clearance to inside corner	12 inches	12 inches
<b>J</b> clearance to each side of the vertical centerline of a metre or regulatory assembly to a maximum vertical distance of 15ft	3 feet	3 feet
<b>K</b> clearance to service regulator vent outlet	3 feet	3 feet
<b>L</b> clearance to non mechanical air supply inlet to the building or combustion air inlet to other appliance for appliance <= 100.000 BTU/H (30 KW)	12 inches	12 inches
<b>M</b> clearance to forced air supply inlet	6 feet	3 feet above air inlet
<b>N</b> clearance above paved sidewalk or paved driveway located on public property	7 feet	7 feet
<b>P</b> clearance under veranda, porch, deck, or balcony	22 inches to combustibles 16 inches to non-combustibles	22 inches to combustibles 16 inches to non-combustibles
<b>Q</b> clearance above roof	2 feet	2 feet
<b>R</b> clearance to adjacent walls and neighboring buildings	2 feet	18 inches
<b>S</b> clearance from corner in recessed location	12 inches	12 inches
<b>T</b> Maximum depth of recessed location	4 feet	4 feet
<b>U</b> Maximum width for back wall of recessed location	2 feet	2 feet
<b>V</b> Horizontal clearance between two terminations that are level	0	0
<b>W</b> Horizontal clearance (centre to centre) between two terminations that are not level	18 inches	18 inches

Note 1: For N a vent shall not terminate directly above the sidewalk or paved driveway which is located between two single family dwellings and serve both dwelling.  
 Note 2: For P only permitted if veranda, porch, deck, or balcony is fully open on a minimum of two sides beneath the floor  
 Note 3: For J, K, and as specified in CGA B149 installation code. Local codes or regulations may vary.  
 \* Based on CGA B149.1 Natural Gas and Propane installation code. Local codes may vary, please check with local regulatory agency.  
 \*\* Based on ANSI Z223.1/NFPA 54 National Fuel Gas Code. Local codes may vary, please check with local regulatory agency.

# Appendix B - State of Massachusetts Amendment

## (Gas Fireplace / Equipment sold in the State of Massachusetts)

### 5.08: Modifications to NFPA-54, Chapter 10

**(1) Revise NFPA-54 section 10.5.4.2** by adding a second exception as follows:

Existing chimneys shall be permitted to have their use continued when a gas conversion burner is installed, and shall be equipped with a manually reset device that will automatically shut off the gas to the burner in the event of a sustained back-draft.

**(2) Revise 10.8.3** by adding the following additional requirements:

(a) For all side wall horizontally vented gas fueled equipment installed in every dwelling, building or structure used in whole or in part for residential purposes, including those owned or operated by the Commonwealth and where the side wall exhaust vent termination is less than seven (7) feet above finished grade in the area of the venting, including but not limited to decks and porches, the following requirements shall be satisfied:

**1. INSTALLATION OF CARBON MONOXIDE DETECTORS.** At the time of installation of the side wall horizontal vented gas fueled equipment, the installing plumber or gas fitter shall observe that a hard wired carbon monoxide detector with an alarm and battery back-up is installed on the floor level where the gas equipment is to be installed. In addition, the installing plumber or gas fitter shall observe that a battery operated or hard wired carbon monoxide detector with an alarm is installed on each additional level of the dwelling, building or structure served by the side wall horizontal vented gas fueled equipment. It shall be the responsibility of the property owner to secure the services of qualified licensed professionals for the installation of hard wired carbon monoxide detectors

a. In the event that the side wall horizontally vented gas fueled equipment is installed in a crawl space or an attic, the hard wired carbon monoxide detector with alarm and battery back-up may be installed on the next adjacent floor level.

b. In the event that the requirements of this subdivision can not be met at the time of completion of installation, the owner shall have a period of thirty (30) days to comply with the above requirements; provided, however, that during said thirty (30) day period, a battery operated carbon monoxide detector with an alarm shall be installed.

**2. APPROVED CARBON MONOXIDE DETECTORS.** Each carbon monoxide detector as required in accordance with the above provisions shall comply with NFPA 720 and be ANSI/UL 2034 listed and IAS certified.

**3. SIGNAGE.** A metal or plastic identification plate shall be permanently mounted to the exterior of the building at a minimum height of eight (8) feet above grade directly in line with the exhaust vent terminal for the horizontally vented gas fueled heating appliance or equipment. The sign shall read, in print size no less than one-half (1/2) inch in size, "GAS VENT DIRECTLY BELOW. KEEP CLEAR OF ALL OBSTRUCTIONS".

**4. INSPECTION.** The state or local gas inspector of the side wall horizontally vented gas fueled equipment shall not approve the installation unless, upon inspection, the inspector observes carbon monoxide detectors and signage installed in accordance with the provisions of 248 CMR 5.08(2)(a)1 through 4.

(b) **EXEMPTIONS:** The following equipment is exempt from 248 CMR 5.08(2)(a)1 through 4:

1. The equipment listed in Chapter 10 entitled "Equipment Not Required To Be Vented" in the most current edition of NFPA 54 as adopted by the Board; and

2. Product Approved side wall horizontally vented gas fueled equipment installed in a room or structure separate from the dwelling, building or structure used in whole or in part for residential purposes.

**(c) MANUFACTURER REQUIREMENTS - GAS EQUIPMENT VENTING SYSTEM PROVIDED.** When the manufacturer of Product Approved side wall horizontally vented gas equipment provides a venting system design or venting system components with the equipment, the instructions provided by the manufacturer for installation of the equipment and the venting system shall include:

1. Detailed instructions for the installation of the venting system design or the venting system components; and

2. A complete parts list for the venting system design or venting system.

**(d) MANUFACTURER REQUIREMENTS - GAS EQUIPMENT VENTING SYSTEM NOT PROVIDED.** When the manufacturer of a Product Approved side wall horizontally vented gas fueled equipment does not provide the parts for venting the flue gases, but identifies "special venting systems", the following requirements shall be satisfied by the manufacturer:

1. The referenced "special venting system" instructions shall be included with the appliance or equipment installation instructions; and

2. The "special venting systems" shall be Product Approved by the Board, and the instructions for that system shall include a parts list and detailed installation instructions.

(e) A copy of all installation instructions for all Product Approved side wall horizontally vented gas fueled equipment, all venting instructions, all parts lists for venting instructions, and/or all venting design instructions shall remain with the appliance or equipment at the completion of the installation.

**(3) After NFPA-54 section 10.10.4.2** add a new section 10.10.4.3 as follows:

When more than four gas appliances are to be vented through a common gas vent or common horizontal vent manifold, a plan of the proposed vent installation shall be submitted to the Inspector and the serving gas supplier for review and approval.

Extraction from: Massachusetts Rules and Regulations  
5.00: Amendments To 2002 Edition Of ANSI Z223.1-NFPA-54



XG0160 - 150204

---

**Canadian Heating Products Inc.**  
Langley, BC V4W 4A1

**Montigo Del Ray Corp.**  
Ferndale, WA 98248