

DISCONTINUED ITEM

THIS ITEM HAS BEEN DISCONTINUED AND IS NO LONGER IN PRODUCTION. PLEASE CONTACT YOUR LOCAL MONTIGO DEALER REGARDING MAINTENANCE AND SPARE PARTS AVAILABILITY.

the art of fireplaces
www.montigo.com



Hotshot

DHS

Gas Fireplace
Insert

DANGER

Read and understand this manual. Improper installation, adjustment, alteration, service or maintenance can cause serious injury, property damage or even death. For assistance or additional information consult a qualified installer, service agency or the gas supplier.

WARNING

Do not store or use gasoline or any other flammable vapors and liquids in the vicinity of this or any other gas burning appliance. A fire or explosion may occur causing serious injury, property damage or even death.

CAUTION

Glass doors on gas fireplaces are **extremely hot** while the fireplace is on and remain hot even after the fireplace has been turned off. Safety screens are available and can reduce the risks of severe burns. Please keep children away from the fireplace at all times.

NOTICE

Installer: Leave this manual with the appliance. Do not remove.
Consumer: Retain this manual for maintenance and future reference. Do not Discard.

DANGER



HOT GLASS WILL CAUSE BURNS. DO NOT TOUCH GLASS UNTIL COOLED. NEVER ALLOW CHILDREN TO TOUCH GLASS.

A barrier designed to reduce the risk of burns from the hot viewing glass is provided with this appliance and shall be installed for the protection of children and other at-risk individuals.

DANGER

IF YOU SMELL GAS

- ⚠ Do not try to light any appliance.
- ⚠ Do not touch any electrical switch; do not use any phone in your building.
- ⚠ Immediately call your gas supplier from a neighbor's phone. Follow the gas supplier's instructions.
- ⚠ If you cannot reach your gas supplier, call the fire department.



Table Of Contents



Introduction 3

Installation

 Before You Begin

 Rating Plate Sample 5

 Fireplace Dimensions 6

 Clearances 7

 Installing the Gasline..... 7

 Chimney Liner Installation..... 8

 Face Plate, Trim and Louvres

 Face Plate Installation 9

 Lower Louvre Assembly 9

 Face Plate Trim 9

 Upper Louvre Assembly 10

 Wiring for the Air Circulating Fan 11

 Removing and Installing the Screen & Door 12

 Installing the Logset 13

Operation 14 - 15

Maintenance 16 - 17

Warranty 19

Appendix 20

Safety Key Alert



DANGER

Indicates a hazardous situation which, if not avoided, **WILL** result in death or serious injury or property damage.



WARNING

Indicates a hazardous situation which, if not avoided, **COULD** result in death or serious injury or property damage.



CAUTION

Indicates a hazardous situation which, if not avoided, **WILL** result in minor or moderate injury.

NOTICE

Address practices that are important, but not related to personal injury

Introduction

Introduction

Congratulations on your purchase of a **Montigo Fireplace**.

With over 30 years of experience, Montigo is committed to providing you with a gas fireplace that is not only a beautiful addition to your space, but that is also designed and manufactured to the highest safety, reliability and engineering standards.

The Hotshot DHS is a vented gas fireplace for installation in a masonry fireplace equipped with a double burner, glowing embers, and a six piece log set. The Hotshot DHS is rated for **Natural Gas or Propane at 25,000 BTU/H** (7.4 Kilowatts).

We strongly encourage you to read and carefully follow the instructions laid out in this Installation, Operation and Maintenance Manual and retain it for your future reference. Pay special attention to all cautions, warnings, and notices throughout this manual intended to ensure your safety.

This manual covers installation, operation and maintenance. Lighting, operation and care of this fireplace can be easily performed by the homeowner. All installation and service work should be performed by a qualified or licensed installer, plumber or gas fitter as certified by the state, province, region or governing body where the fireplace is being installed.

This installation, operation and maintenance manual is applicable to the models described below. Refer to your rating plate to verify included options.

Warranty Information: (See Appendix B)

The Montigo warranty will be voided by, and Montigo disclaims any responsibility for, the following actions:

- Modification of the fireplace and/or components including B-Vent assembly or glass doors.
- Use of any component part not manufactured or approved by Montigo in combination with this Montigo fireplace system.
- Installation other than as instructed in this manual.

Consult your local Gas Inspection Branch on installation requirements for factory-built gas fireplaces. Installation & repairs should be done by a qualified contractor.



CAUTION

Young children should be carefully supervised when they are in the same room as the appliance. Toddlers, young children and others may be susceptible to accidental contact burns. A physical barrier is recommended if there are at risk individuals in the house. To restrict access to a fireplace or stove, install an adjustable safety gate to keep toddlers, young children and other at risk individuals out of the room and away from hot surfaces.



Installation

IMPORTANT MESSAGE: SAVE THESE INSTRUCTIONS

The **Hotshot** fireplace insert must be installed in accordance with these Instructions. Carefully read all the Instructions in this manual first. Consult the Local Gas Branch to determine the need for a permit prior to starting the installation. It is the responsibility of the installer to ensure this fireplace is installed in compliance with the manufacturers instructions and all applicable codes.

- Installations in Canada must conform to the local codes or in the absence of local codes to the current version of Natural Gas and Propane Installation Code, CSA B149. Electrical Installations must conform to the local codes or, in the absence of local codes, to the current version of Canadian Electrical Code, CSA C22.1.1.

- Installations in the USA must conform to the local codes or in the absence of local codes to the current version of National Fuel Gas Code, ANSI Z223.1/NFPA 54. Electrical Installations must conform to the local codes or, in the absence of local codes, to the current version of the National Electrical Code, ANSI/NFPA 70. See Appendix C for installation within the State of Massachusetts.

NOTICE

Installation and repairs should be done by an authorized gas fireplace service technician. The appliance should be inspected before use and at least annually by a professional. More frequent cleaning may be required due to excess lint from carpeting, bedding material, etc. It is imperative that control compartments, burners and circulating air passages of the fireplace are kept clean.



CAUTION

Due to high operating temperatures, this appliance should be located out of traffic & away from furniture and draperies. Children and adults should be alerted to the hazards of the high surface temperature, which could cause burns or clothing ignition. Young children should be carefully supervised when they are in the same room as the appliance. Clothing or other flammable materials should not be placed on or near the appliance.



DANGER

When this appliance is installed directly on any combustible material other than wood flooring, it must be installed on a metal or wood panel extending the full width and depth of the appliance or a fire will occur causing serious injury, property damage or even death.

Before You Begin Installation

- Ensure that your masonry fireplace's opening is large enough to accommodate the Hotshot, see **figure 1**.
- Thoroughly clean the masonry or solid fuel fireplace and chimney that in which the insert will be installed.
- The appliance has a gas access hole on the left hand side, and it is supplied with a flexible gas connector on the left hand side of the insert, see **figure 2**.

WARNING

A barrier designed to reduce the risk of burns from hot viewing glass is provided with this appliance and shall be installed for the protection of children and other at-risk individuals.

If the barrier becomes damaged, the barrier shall be replaced with the manufacturer's barrier for this appliance.

WARNING

Any safety screen, guard, or barrier removed for servicing an appliance must be replaced prior to operating the appliance.



Installation

Rating Plate Sample

**Do Not Remove
This Label
N'enlevez Pas
Cette Étiquette**



Type:

Model No. Modèle:

Serial No.:

Manufacturer / Fabricant:

Tested To / Examiné À:

Electrical Rating / Estimation Électrique: 115 V / 1 Ph. / 60 Hz. / Less than 12A

Altitude Rating / Estimation D'Altitude: N & H (0 - 4500 ft. / 0 - 1371 m).

Fuel Type / Type De Carburant:

- N - Natural Gas / Gaz Naturel
 LP - Propane / Gaz Propane

Vented Gas Fireplace Heater For Indoor Use Only
 Not for use with solid fuel. / Pas pour l'usage avec le combustible solide.
 Not for use with air filters. / Pas pour l'usage avec des filtres à air.
 DHS
 3-150204-000000

Canadian Heating Products Inc., Langley BC, www.montigo.com
 Montigo DeRay Corp., Ferndale, WA, www.montigo.com

ANSI Z21.88-2014 / CSA 2.33-2014

Max. Input Max. Entrée BTU/H	Min. Input Min. Entrée BTU/H	Output / Rendement BTU/H	Orifice Size / Taille D'Orifice Rear/Derrière Front/Avant	Gas Manifold Pressure / Pression D'Admission Du Gaz	Min. Gas Supply Pressure/ Min. Pression D'Alimentation Du Gaz
25,000	19,000	N/A	51 DMS / 51 DMS	3.5" W.C.	5.5" W.C.
25,000	19,000	N/A	57 DMS / 57 DMS	10" W.C.	11" W.C.

FOR USE WITH GLASS DOORS AND SCREENS CERTIFIED WITH THE APPLIANCE ONLY
 Pour utilisation avec portes de verre and écrans de certifiés avec l'appareil seulement

*Refer to installation manual for more information.

*Référez-vous au manuel d'installation pour plus d'information.

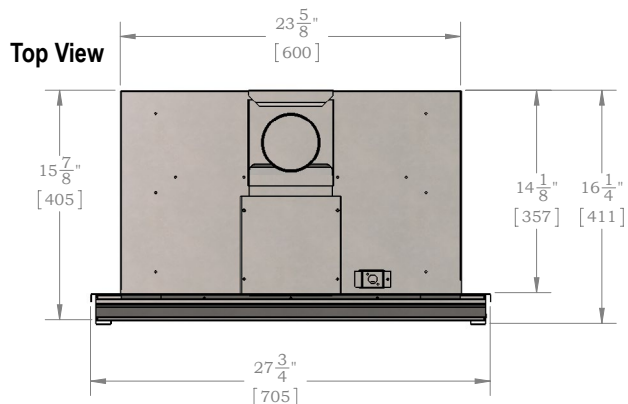
LBL1205-V6.1 Stand. Pilot. Screen DEC06.2014

*Clearance to Combustibles /
*Dégagements Aux Combustibles

Sides/Côtés:	N/A
Back/Derrière:	N/A
Top-Top Vent/Du Haut-Évent Du Haut:	N/A
Top-Rear Vent/Du Haut-Évent Arrière:	N/A
Floor/Plancher:	N/A
Mantel/Manteau:	18 1/2"
Recess Depth/ Profondeur D'Encadrement:	N/A



Installation



Note: Images are shown without screens for clarity purposes. However, your fireplace should not be operated without proper installation of screens.

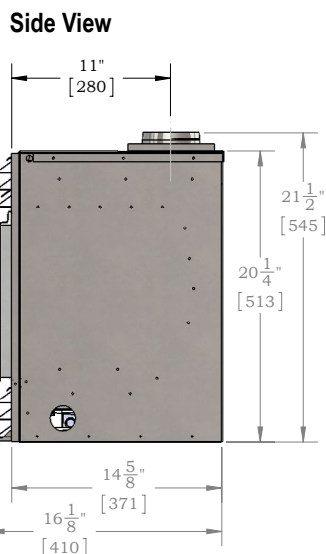
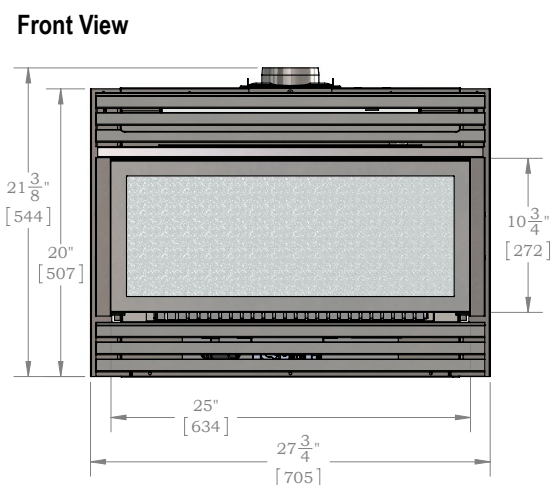


Figure 1. Fireplace dimensions. (Tolerance 1/8")



Figure 1a. Deluxe Square Faceplate dimensions.

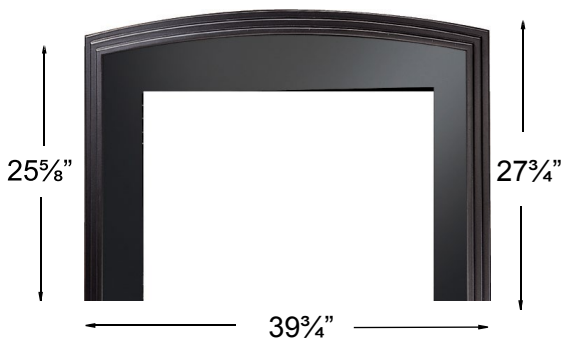


Figure 1b. Deluxe Arched Faceplate dimensions.

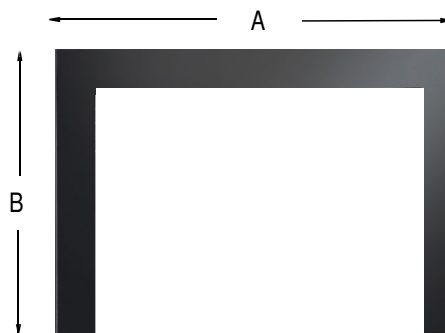


Figure 1c. Standard Faceplate dimensions.

Unit Dimensions		
	A	B
WSFB	37 1/2"	25"
WSF4B	40"	26"
WSF44B	44"	28"

Installation



Clearances

The Hotshot DHS clearances to combustible materials:

Perpendicular Wall	3"
Mantle †	10 ½"

† Refer to figure 2.

The Hotshot DHS must be installed in a masonry or factory-built solid fuel fireplace with a hearth extending 16" from the fireplace facing. This appliance is not for installation in air tight units.

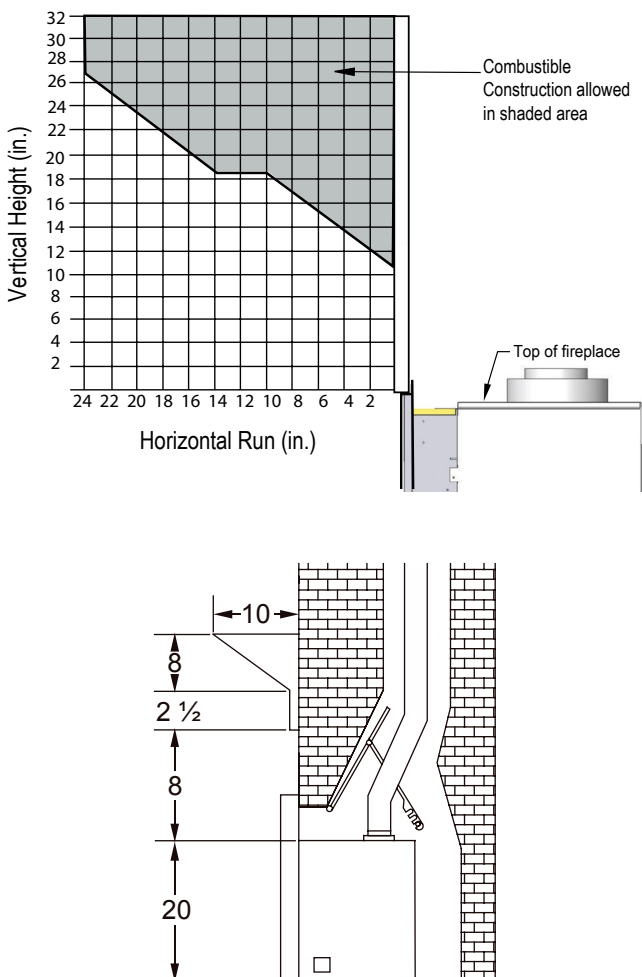


Figure 2. Mantle clearances.

Installing The Gas Line

The gas line must be installed before finishing the Hotshot DHS insert. For ease of installation, this appliance is equipped with an approved flexible gas connector. The connector is factory-installed and can be connected to the gas line as shown in **figure 3**.

Natural Gas requires a minimum inlet gas supply pressure of 5.5" W.C. & a manifold pressure of 3.5" W.C. **Propane Gas** requires a minimum inlet gas supply pressure of 11" W.C. & a manifold pressure of 10" W.C. The fireplace gas connection and the main operating gas valve is located behind the removable brass trim at the bottom of the unit and need only be attached to the gas line with an approved fitting, as required by the **applicable installation codes**.

- Only use gas shut-off valves approved for use by the state, province, region, or governing body, in which the appliance is being installed, or as required by the applicable installation codes.

The appliance and its individual shutoff valve must be disconnected from the gas supply piping system during any pressure testing of that system at test pressures in excess of 1/2 psig (3.5 kPa).

The appliance must be isolated from the gas supply piping system by closing its individual manual shutoff valve during any pressure testing of the gas supply piping system at test pressures equal to or less than 1/2 psig (3.5 kPa).

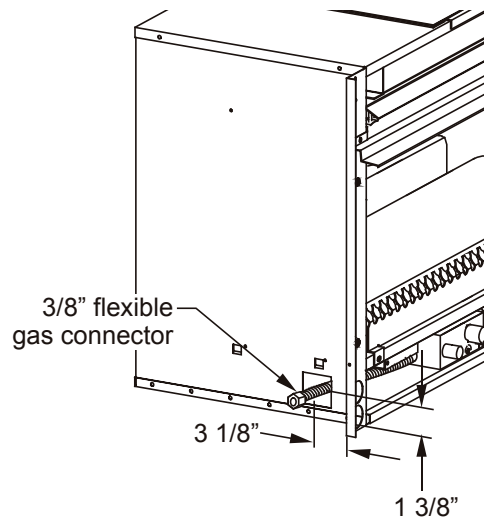


Figure 3. Gas line location.

Note: After the gas line is connected, **each appliance connection, valve and valve train** must be checked while under normal operating pressure with either a liquid solution, or leak detection device, to locate any source of leak. Tighten any areas where bubbling appears or leak is detected until bubbling stops completely or leak is no longer detected. **DO NOT use a flame of any kind to test for leaks.**



Installation

Chimney Liner Installation

This appliance is for installation with 4" diameter Type-B gas vent (B-Vent) or double wall aluminium flex liner.

- Install flex liner or B-Vent inside the masonry chimney all the way to the top of the chimney cap. Vertical vent height must be a minimum of 12 feet from the bottom of the fireplace to the bottom of the termination (See **Figure 4.**)
- Use the vent plate (supplied with the Hotshot) to connect the chimney liner to the insert. Slide the flex over the vent plate and attach with two sheet metal screws. *Make sure the flange on the bottom of the vent plate is toward the back of the fireplace.* See **figure 5a.**
- Slide the Hotshot as far back as possible into the fireplace opening. Reach inside the opening above the Hotshot and insert the vent connector into the slot at the back of the fireplace. Push the connector slide back as far as it will go to secure the chimney liner in position. See **figure 5b.**
- Centre the Hotshot in the fireplace opening, and connect the gas line. (See **Figure 3.**)
- To install the face plate and louvres, see *Installing Face Plate & Trims.*

All installations must conform with local codes. In the absence of local codes, installations must conform with the most recent version of the National Fuel Gas Code (**ANSI Z223.1-1988**) or the Gas Installation Code (**CAN/CGA B149.1 and .2**).

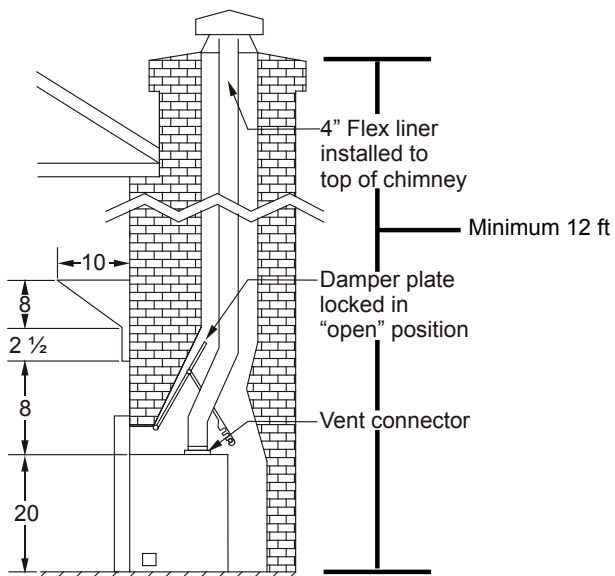


Figure 4. Installation requirements and mantle clearances.

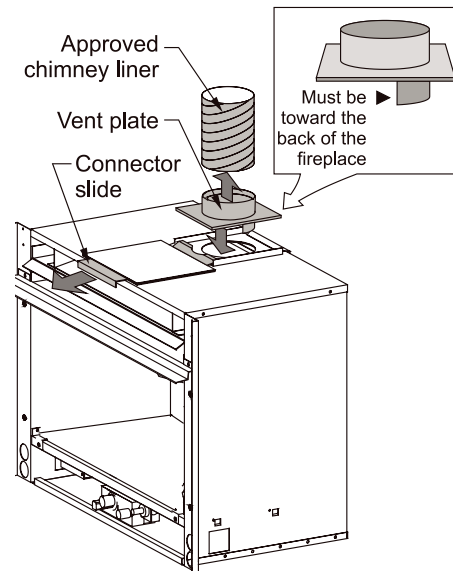


Figure 5a. Connecting the chimney liner to the vent plate.

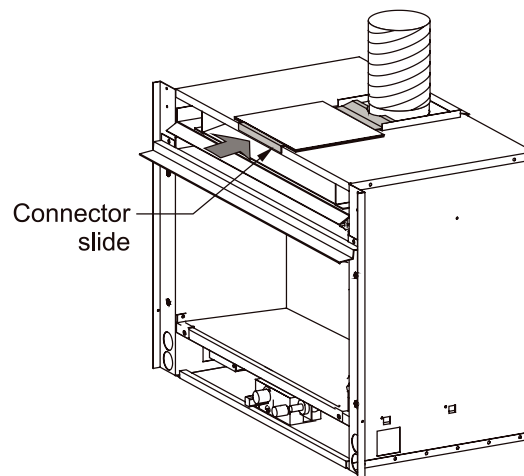


Figure 5b. Securing the chimney using the connector slide.

Installation



Installing the Face Plate, Trim, and Louvres

Before you Begin: Wear gloves while installing Face plate, trim, and louvres.

Step 1. Install the Face Plate

- Slide the face plate down from the top of the fireplace. Ensure that the face plate is inside of fireplace side rail as shown in **figure 6a**.
- Attach the face plate by installing two screws into the top pilot holes as shown in **figure 6b**.
- Do not install screws at bottom of face plate until face plate trim is installed.

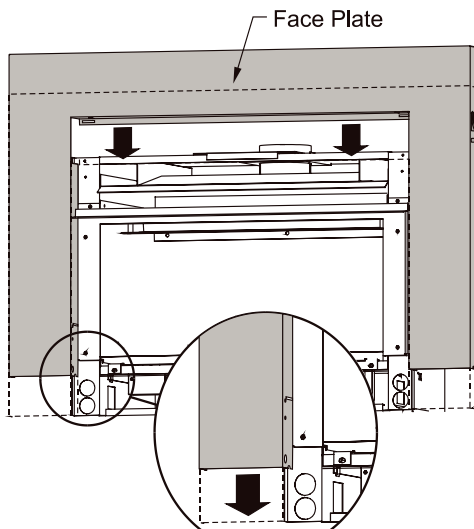


Figure 6a. Installing the Hotshot one-piece face plate.

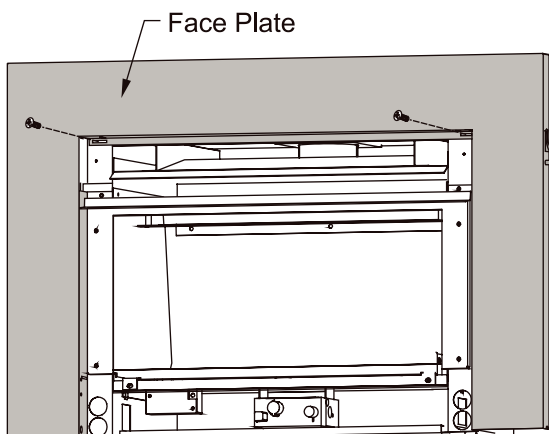


Figure 6b. Fixing the face plate in position.

Step 2. Install the Lower Louvre Assembly

Position the Lower Louvre Assembly as shown in Figure 7.

Line up the screw holes on the hinge with the pilot holes on the front of the fireplace and attach using three screws. The lower louvres should rotate freely, allowing easy access to the Hotshot control compartment.

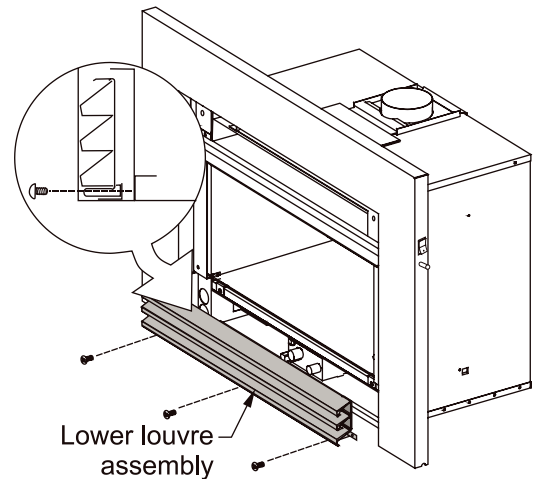


Figure 7. Installing the lower louvres.

Step 3. Install the Face Plate Trim

To assemble the face plate trim, slide the top end of the 2 side rails into the slots on the underside of the top rail. Crimp 'tab A' over the side rail until tight. See **figure 8a**. This will hold the side rails and top rail in place while installing into the fireplace.

NOTE: When crimping point A over with pliers, cover brass with a soft cloth to ensure brass does not become scratched.

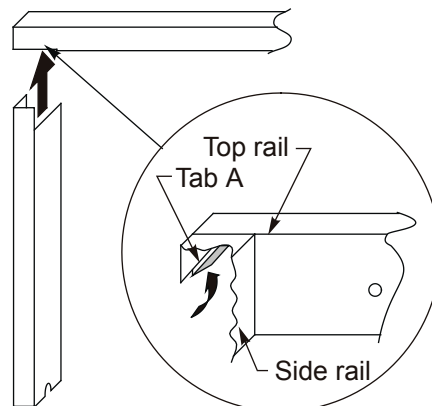


Figure 8a. Assembling the face plate trim.



Installation

Slide the face plate trim onto the fireplace. The trim should slide in easily between the face plate and the lower louvres and the hood. Refer to **figure 8b**. Ensure that the pilot holes in the trim line up with the pilot holes in the face plate.

Install two screws into the pilot holes in the top rail, and one screw into each of the side rails, as shown in **figure 8b**.

To remove face plate or face plate trims simply reverse above procedures.

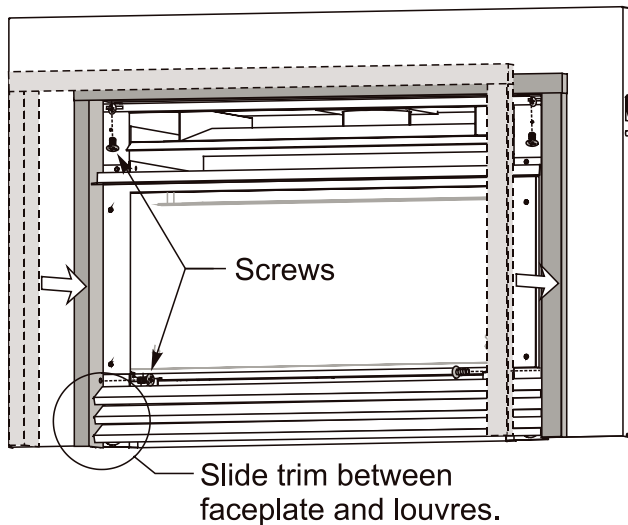


Figure 8b. *Installing the trim.*

Step 4. Install the Upper Louvre Assembly

Position the Upper Louvre Assembly on top of hood on an angle as shown in **Figure 9a**. Line up the Upper Louvre horizontal to the fireplace skirt.

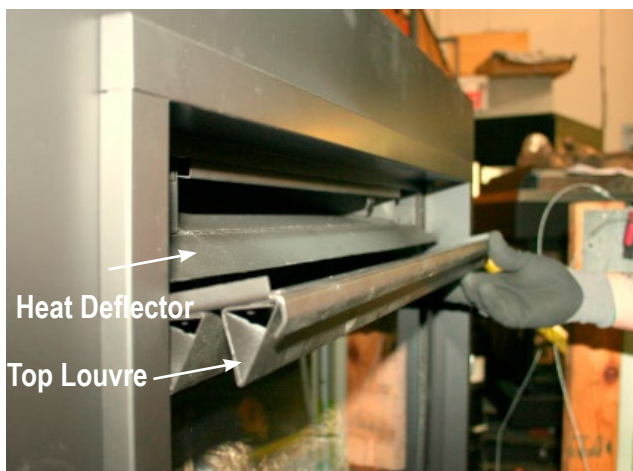


Figure 9a. *Installing the upper louvres.*

Raise the Upper Louvre over the heat deflector, ensuring the heat deflector is positioned between the bottom and middle louvre.



Figure 9b. *Installing the upper louvres.*

Push Upper Louvre flush to the fireplace. Fasten Upper Louvre to fireplace.



Figure 9c. *Completed installation of Upper louvres.*

NOTE: Remove the protective plastic coating from the louvres and trim **before lighting the appliance**. Failure to do so will result in permanent damage to the metal's surface.

Installation



Wiring for the Air Circulating Fan and ON/OFF Switch

The Hotshot features a heat-activated fan for circulating warm air into the living space. The fan is factory installed. Connect black and white wires from faceplate section to molex connector, see **Figure 10b**.

Connect On/Off switch wires from faceplate to the valve terminals as shown in **Figure 10c**.

Installations in Canada must be electrically grounded in accordance with **CSA C22.1** Canadian Electrical Code Part 1 and/or Local Codes.

Installations in the USA must be grounded in accordance with local codes or, in the absence of local codes, with the National Electrical Code, **ANSI/NFPA 70**.

NOTE: If any of the original wire supplied with the appliance is replaced, it must be replaced with the same type, or its equivalent.

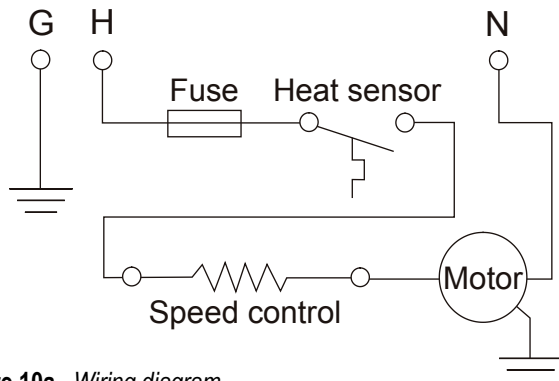


Figure 10a. Wiring diagram.



Figure 10b. Connect Fan Speed Control wires.

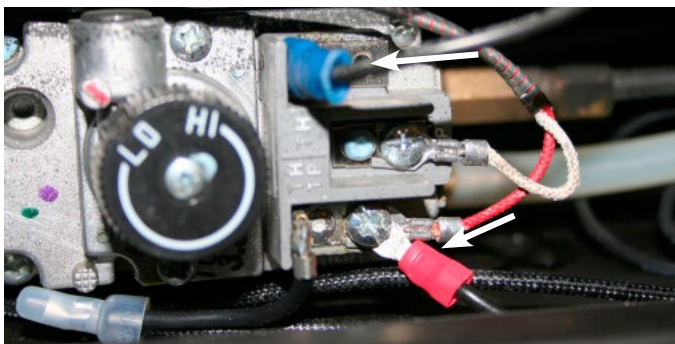


Figure 10c. Connect On/Off Switch wires.

Removing and Installing the Screen and Door

Removing the screen and door:

1. Remove screw covers that are held on by magnets.



Figure 11a. Removing the screw covers.

2. The screen and door are held in place by two screws on each side of the metal door frame. Remove the screws and slide the screen away from unit.



Figure 11b. Removing the screws.

3. Carefully slide the door down and away from the front of the fireplace.



Installation

Installing the screen and door:

1. Push the door up along the front of the firebox until the top edge of the door frame is underneath the Hotshot hood. Line up the screw holes in the door with the corresponding holes on the front of the fireplace and attach with the four screws.

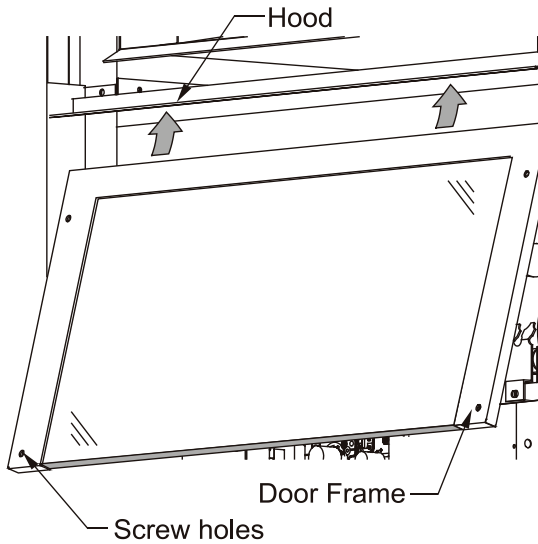


Figure 11c. *Installing the glass door.*

2. Place screen over door and line up screw holes.
3. Attach with four screws.
4. Place screw covers over screws.

NOTICE

Do not use ammonia based or abrasive cleaners on the glass, they will permanently etch the surface. Use an approved gas fireplace glass cleaner such as Kel-Kem or White off.

Installation



Installing the Log Set

Installing the Logs:

The double burner **Hotshot** is supplied with a six (6) piece fibre log set.

1. Remove the door cover and the glass door.

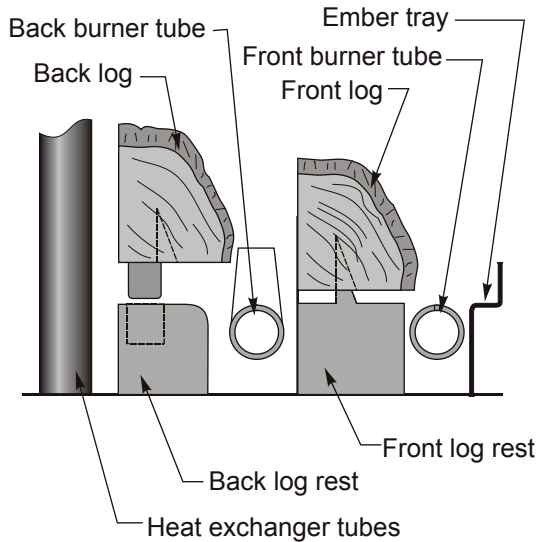


Figure 12a. Positioning for the top logs ('C' and 'D').

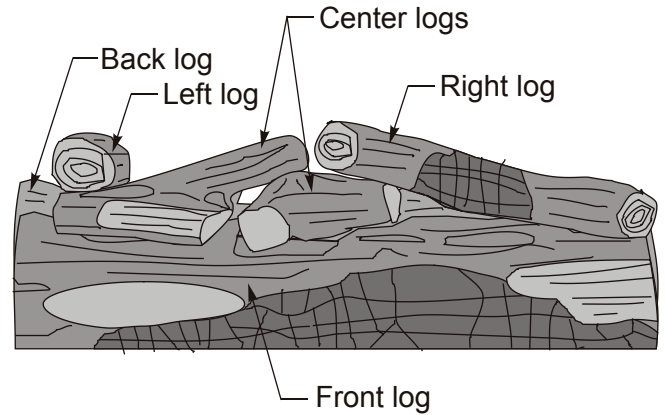


Figure 12c. Log placement as seen from the front of the stove.

NOTES:

- If the logs are not placed properly, excessive sooting will result.
- The surface of the logs will crack due to the heat from the flames. This is a normal occurrence

2. Unpack the logs. Be sure to handle the logs carefully, as they are very fragile.
3. Place the Back log onto the back log rest as shown below in **figure 12a**. The log has lip on the bottom which fits into the slot on the log rest.
4. Place the Front log onto the front log rest as shown in **figure 12a**. Centre the log from side to side, and push it against the back of the log rest. Carefully push the log onto the metal spikes on the log rest.
5. Place the top logs in position as shown in **figures 12b** and **12c**.
5. Start the fireplace. If the flame appears satisfactory, replace the glass door and door cover.

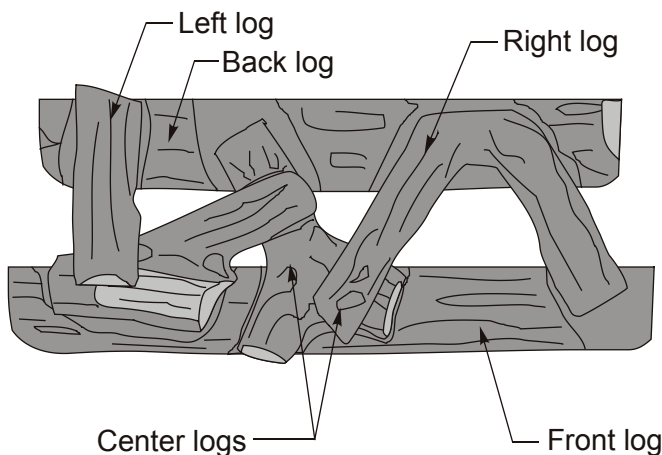


Figure 12b. Proper placement (top view).



Operation

For Your Safety - READ BEFORE LIGHTING:

⚠ DANGER



HOT GLASS WILL CAUSE BURNS.

DO NOT TOUCH GLASS UNTIL COOLED.

NEVER ALLOW CHILDREN TO TOUCH GLASS.

A barrier designed to reduce the risk of burns from the hot viewing glass is provided with this appliance and shall be installed for the protection of children and other at-risk individuals.

⚠ WARNING

If the information in these instructions is not followed exactly, a fire or explosion may result causing property damage, personal injury or death.

WARNING/ CAUTION: Hot while in operation. Do not touch. Severe burns may result. Keep children, clothing, furniture, gasoline and other liquids having flammable vapours away.

See installation and operating instructions accompanying this appliance.

- A. This appliance is equipped with an ignition system that lights the pilot burner automatically. Do not attempt to light the pilot by hand.
- B. **BEFORE LIGHTING** smell all around the appliance area for gas. Be sure to smell next to the floor because some gas is heavier than air and will settle on the floor.



What To Do If You Smell Gas:

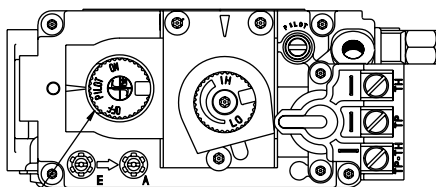
- Do not try to light any appliance.
- Do not touch any electrical switch; do not use any phone in your building.
- Immediately call your gas supplier from a neighbour's phone. Follow the gas supplier's instructions.

- If you cannot reach your gas supplier, call the Fire Department.
- C. Use only your hand to push in or turn the gas control knob. Never use tools. If the knob will not push in or turn by hand, don't try to repair it, call a qualified service technician. Force or attempt to repair may result in a fire or explosion.
- D. Do not use this appliance if any part has been under water. Immediately call a qualified service technician to inspect the appliance and to replace any part of the control system, and any gas control which has been under water.

Standing (Continuous) Pilot Ignition (SIT NOVA 820)

Lighting Instructions:


1. **STOP!** Read the safety information above on this label.
2. Lift out the lower Horizontal access panel.
3. Push in gas control knob and turn clockwise  to "OFF."
4. Wait five (5) minutes to clear out any gas. Smell for gas, including near the floor. If you then smell gas, **STOP!** Follow "B" in the safety information above on this label. If you don't smell gas, go to the next step.
5. Locate pilot burner (*See illustration at right.*) and follow steps below.
6. Turn knob on gas control counter clockwise  to "PILOT."
7. Push in gas control knob completely and hold. Light with Piezo

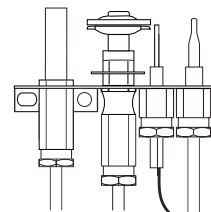


Gas Control Knob
(Shown in "Pilot" position.)


NOTE: Gas control knob cannot be turned from "PILOT" to "OFF" unless knob is pushed in slightly. Do not force.

igniter button. Continue to hold the control knob in for about (1) minute after the pilot is lit. Release the knob and it will pop back up. Pilot should remain lit. If it goes out repeat steps 3 through 8.

- If knob does not pop up when released. Stop and immediately call your service technician or gas supplier.
 - If the pilot will not stay lit after several tries, turn the gas control knob to "OFF" and call your service technician or gas supplier.
8. Push in gas control knob and turn counter-clockwise  to "ON."
 9. Replace the lower Horizontal access panel.
 10. Turn on remote switch to ignite fire.



To Turn Off Gas To Appliance:

1. Turn off remote switch.
2. Lift out the lower Horizontal access panel.
3. Push in gas control knob slightly and turn  clockwise to "Off". Do not force.
4. Replace the lower Horizontal access panel.



Operation

On/Off Switch

The On/ Off Switch is located on the top right-hand side of the Hot-shot Fireplace. Once the pilot is lit, and the gas control knob is in the 'ON' position, pushing this switch will toggle the main burner on or off. (See figure 14.)

Burner Adjustment

Hotshot inserts are equipped with an adjustable burner, allowing you to increase or decrease the amount of flames and heat output. To adjust the flames, locate the black knob marked 'Hi-Lo', on the right side of the gas control valve (See **Figure 13**).

- To raise the flame height, turn the black knob (located behind the lower trim) **clockwise**.
- To lower the flame height, turn **counterclockwise**.

Pilot Burner Adjustment

1. Locate Pilot Adjustment Screw, see **figure 13**.
2. Adjust pilot screw to provide properly sized flame as shown.
3. After installing or servicing, leak test with a soap solution with main burner on. Coat pipe and tubing joints, gasket etc. with soap solution. Bubbles indicate leaks. Tighten any areas where the bubbles appear until the bubbling stops completely.

Fan Adjustment

Turn the fan On/Off Speed Control to 'On'. The Fan will turn on and off automatically depending on the appliance's temperature. Adjust the fans speed by turning clockwise or counterclockwise. (See **figure 13**.)

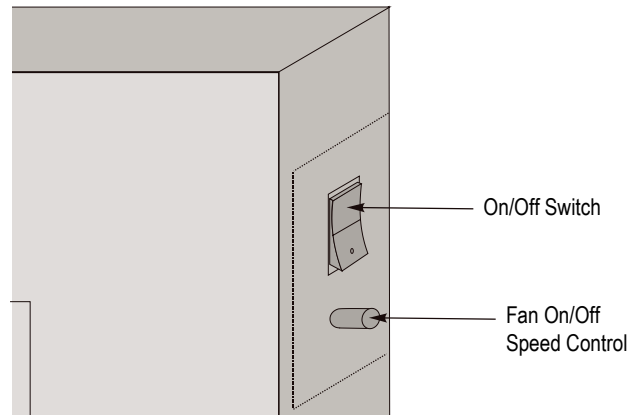


Figure 14. The Hotshot's On/Off switch and fan speed control.

WARNING:

Avoid contact with hot fireplace glass while adjusting burner.

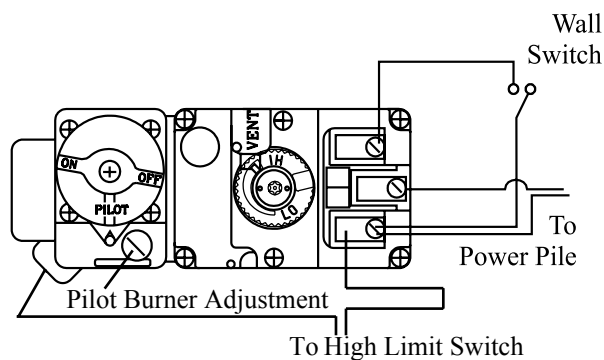


Figure 13. 'Hi-Lo' Adjustment on the Hotshot inset's gas valve.



Maintenance

CAUTIONS

- Fireplace gas control must be in the "OFF" position and pilot and main burners extinguished when cleaning appliance with a vacuum.
- Doors and logs can get very hot. Handle only when cool.

General

- Have the fireplace installation inspected yearly, including a visual check of the insert and vent system, the burner and the pilot flame. For your convenience a 1/8" manifold pressure tap is supplied on the gas valve for a test gauge connection. See **Figure 13**.
- For **Natural Gas** this appliance requires a minimum inlet pressure of 5.5" W.C. and a manifold pressure of 3.5" W.C.
- For **Propane Gas** this appliance requires a minimum inlet pressure of 11" W.C. and a manifold pressure of 10" W.C.
- Always keep the fireplace area clear and free of combustible materials, as well as gasoline and other flammable vapours and liquids.
- Do not use this appliance if *any part has been under water*. Immediately call a qualified service technician to inspect the appliance and to replace any part of the control system and any gas control which has been under water.

Cleaning

WARNING:

- Do not attempt to clean glass when hot.
- Do not clean glass with abrasive materials as any glass etching may cause premature glass failure.

When the fireplace is first activated, there may be some smoking and a visible film may be left on the glass. This is a normal condition, and is the result of burning of protective coatings on new metal.

- Glass must be cleaned periodically to remove any film (which is a normal by-product of combustion) which may be visible. Film can easily be removed by removing the door, see **Figure 11a - 11b**. Handle the door carefully, and clean it with nonabrasive glass cleaners. One of the most effective products is Kel Kem.
- Silicone seals on inner door during initial firing will "off gas", leaving a visual deposit of a white substance on combustion chamber walls. This can easily be removed using normal household products.
- Use a vacuum cleaner or whisk broom to keep the control compartment, burner, and firebox free from dust and lint.
- The logs may be cleaned periodically with a vacuum to remove dirt, dust and other contaminants. If the logs shift during cleaning, refer to **Figures 12a - 12c** for proper positioning.

Maintenance



Replacing the Fans

1. Turn off gas and power to the fireplace.
2. Remove the door and set aside.
3. Remove the logs, place to the side carefully.

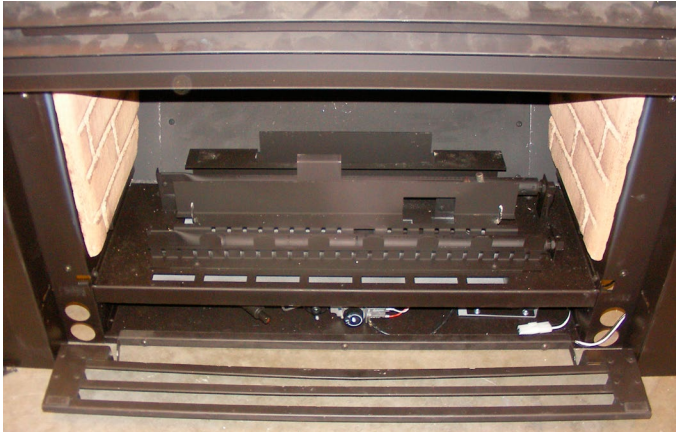


Figure 14.

4. Remove the 4 screws holding down the burner tray

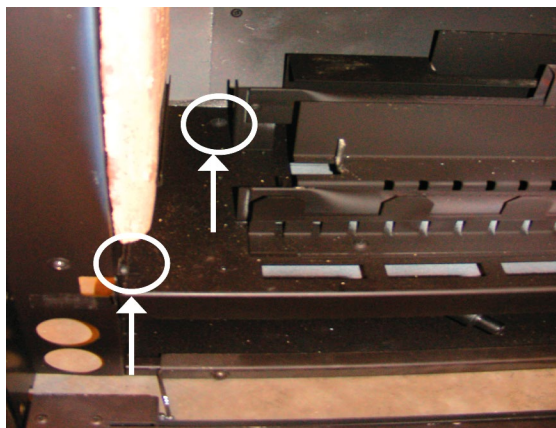


Figure 14a.

5. Carefully slide the burner tray forward to remove. You may need to disconnect the gas line to remove the burner.

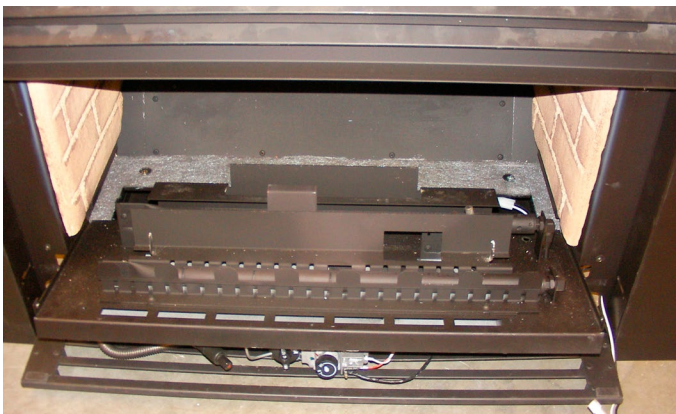


Figure 14b.

6. Carefully put the burner tray to the side. Take care to not damage the pilot wires.



Figure 14c.

7. Remove 10 screws holding down the fan cover access plate

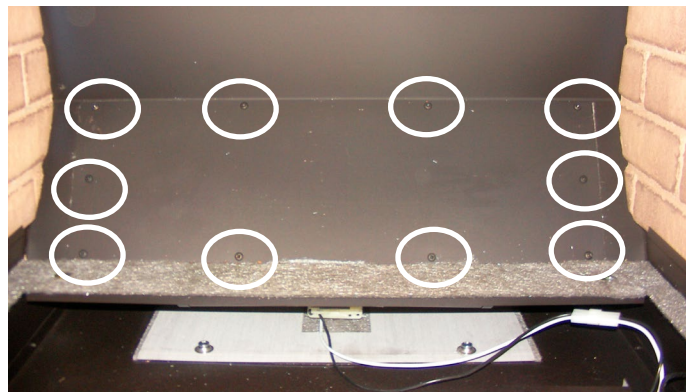


Figure 14d.

8. Disconnect fan power. Remove the screws holding down fan bracket.

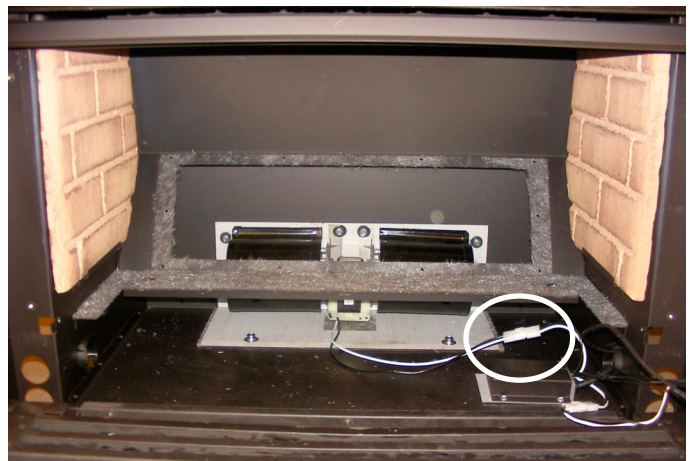


Figure 14e.

9. Reverse steps to reinstall. Make sure to replace the flex line if you disconnected the gas line. They are a one time use only.



Maintenance

Troubleshooting

The following is a troubleshooting chart of possible problems:

PROBLEM	CORRECTIVE ACTION
Noisy Pilot Flame	Locate pilot adjustment screw on gas control valve. The flame is decreased by turning adjustment screw clockwise.
Pilot won't ignite	Disconnect remote wires and try to light pilot. If pilot now works, remote connections are faulty. Check wiring diagram figure 13 .
Main burner will not light	<ol style="list-style-type: none"> 1. Check wiring (see figure 13). 2. Check wall switch for proper connection. 3. Check high limit switch.

Replacement Parts

Standing Pilot - Replacement Parts List	
Hotshot DHS Insert	
NG Gas Valve	RGC1044R
LP Gas Valve	RGC1043R
NG Pilot	RPA024
LP Pilot	RPA025
NG Burner	Contact Local Montigo Dealer
LP Burner	
Thermocouple	RPG001
Thermopile	RPG001
Piezo Ignitor	PIEZO
Pilot Tubing	RPTA03
Door	RDHS
Replacement Screen	RSCDHS
Log Set	RLGS19

If your fireplace still does not operate correctly, consult your dealer or the manufacturer.

All service and repairs should be performed by a qualified agency.

All spare parts and optional such as trim finishes and the wireless infrared remote control are available from your local dealer or the manufacturer.

Appendix

The Warranty

The Companies warrants the DelRay Gas Appliance to be free from defects in materials and workmanship at the time of manufacture. On the DelRay, there is a ten-year warranty on the firebox and its components, a five-year warranty on the main burner, and a one-year warranty on the gas control valve, pilot burner and fibre logs. Glass, plated/painted finishes, and refractory lining are exempt.

Remedy And Exclusions

The coverage of this Warranty is limited to all components of the Gas Appliance manufactured by The Companies.

This Warranty only covers DelRay Gas Appliances installed in the United States or Canada.

If the components of the Gas Appliance covered by this Warranty are found to be defective within the time frame stated (see The Companies right of investigation outlined below). The Companies will, at its option, replace or repair defective components of the Gas Appliance manufactured by The Companies at no charge, and will also pay for reasonable labour costs incurred in replacing or repairing components. If repair or replacement is not commercially practical, The Companies will, at its option, refund the purchase price of the DelRay Gas Appliance.

This Warranty covers only parts and labour as provided above. In no case shall The Companies be responsible for materials, components, or construction which are not manufactured or supplied by The Companies, or for the labour necessary to install, repair or remove such materials, components or construction. All replacement or repair components will be shipped F.O.B. the nearest The Companies factory.

Qualifications To The Warranty

The Gas Appliance Warranty outlined above is further subject to the following qualifications:

- (1) The Gas Appliance must be installed in accordance with The Companies installation instructions and local building codes. The Warranty on this DelRay Gas Appliance covers only the component parts manufactured by The Companies. The use of components manufactured by others with this DelRay Gas Appliance could create serious safety hazards, may result in the denial of certification by recognized national safety agencies, and could be in violation of local building codes. This warranty does not cover any damages occurring from the use of any components not manufactured or supplied by The Companies
- (2) The DelRay Gas Appliance must be subjected to normal use. The Gas Appliances are designed to burn gas only. Burning conventional fireplace fuels such as wood, coal or any other solid fuel will cause damage to the Gas Appliance, will produce excessive temperatures and will result in a fire hazard.

Limitations On Liability

It is expressly agreed and understood that The Companies sole obligation, and purchaser's exclusive remedy under this Warranty, under any other warranty, expressed or implied, or in contract, tort or otherwise, shall be limited to replacement, repair, or refund, as specified above.

In no event shall The Companies be responsible for any incidental or consequential damages caused by defects in its products, whether such damage occurs or is discovered before or after replacement or repair, and whether or not such damage is caused by The Companies negligence. Some states do not allow the exclusion or limitation of incidental or consequential damages, so the above limitation or exclusion may not apply to you. The duration of any implied warranty with respect to this DelRay Gas Appliance is limited to the duration of the foregoing warranty. Some states do not allow limitation on how long an implied warranty lasts, so the above may not apply to you.

Investigation Of Claims Against Warranty

The Companies reserves the right to investigate any and all claims against this Warranty and to decide upon method of settlement.

The Companies Are Not Responsible For Work Done Without Written Consent

The Companies shall in no event be responsible for any warranty work done without first obtaining The Companies written consent.

Dealers Have No Authority To Alter This Warranty

The Companies employees and dealers have no authority to make any warranties nor to authorize any remedies in addition to or inconsistent with those stated above.

How To Register A Claim Against Warranty

In order for any claim under this Warranty to be valid, The Companies must be notified of the claimed defect in writing or by telephone, as soon as reasonably possible after the defect is discovered. Claims against this Warranty in writing should include the date of installation, and a description of the defect.

Other Rights

This Warranty gives you specific legal rights, and you may also have other rights which vary from state to state.

NOTE: *The Companies* as stated above refer to - Canadian Heating Products Inc. and/or Montigo Del Ray Corp.

Canadian Heating Products Inc. and/or Montigo DelRay Corp. reserves the right to make changes at any time, without notice, in design, materials, specifications, prices and also to discontinue colours, styles and products.

Appendix

Appendix: State of Massachusetts

Amendment

(Gas Fireplace / Equipment sold in the State of Massachusetts)

5.08: Modifications to NFPA-54, Chapter 10

(1) Revise NFPA-54 section 10.5.4.2 by adding a second exception as follows:

Existing chimneys shall be permitted to have their use continued when a gas conversion burner is installed, and shall be equipped with a manually reset device that will automatically shut off the gas to the burner in the event of a sustained back-draft.

(2) Revise 10.8.3 by adding the following additional requirements:

(a) For all side wall horizontally vented gas fueled equipment installed in every dwelling, building or structure used in whole or in part for residential purposes, including those owned or operated by the Commonwealth and where the side wall exhaust vent termination is less than seven (7) feet above finished grade in the area of the venting, including but not limited to decks and porches, the following requirements shall be satisfied:

1. INSTALLATION OF CARBON MONOXIDE DETECTORS. At the time of installation of the side wall horizontal vented gas fueled equipment, the installing plumber or gas fitter shall observe that a hard wired carbon monoxide detector with an alarm and battery back-up is installed on the floor level where the gas equipment is to be installed. In addition, the installing plumber or gas fitter shall observe that a battery operated or hard wired carbon monoxide detector with an alarm is installed on each additional level of the dwelling, building or structure served by the side wall horizontal vented gas fueled equipment. It shall be the responsibility of the property owner to secure the services of qualified licensed professionals for the installation of hard wired carbon monoxide detectors

a. In the event that the side wall horizontally vented gas fueled equipment is installed in a crawl space or an attic, the hard wired carbon monoxide detector with alarm and battery back-up may be installed on the next adjacent floor level.

b. In the event that the requirements of this subdivision can not be met at the time of completion of installation, the owner shall have a period of thirty (30) days to comply with the above requirements; provided, however, that during said thirty (30) day period, a battery operated carbon monoxide detector with an alarm shall be installed.

2. APPROVED CARBON MONOXIDE DETECTORS. Each carbon monoxide detector as required in accordance with the above provisions shall comply with NFPA 720 and be ANSI/UL 2034 listed and IAS certified.

3. SIGNAGE. A metal or plastic identification plate shall be permanently mounted to the exterior of the building at a minimum height of eight (8) feet above grade directly in line with the exhaust vent terminal for the horizontally vented gas fueled heating appliance or equipment. The sign shall read, in print size no less than one-half (1/2) inch in size, "GAS VENT DIRECTLY BELOW. KEEP CLEAR OF ALL OBSTRUCTIONS".

4. INSPECTION. The state or local gas inspector of the side wall horizontally vented gas fueled equipment shall not approve the installation unless, upon inspection, the inspector observes carbon monoxide detectors and signage installed in accordance with the provisions of 248 CMR 5.08(2)(a)1 through 4.
(b) EXEMPTIONS: The following equipment is exempt from 248 CMR 5.08(2)(a)1 through 4:

1. The equipment listed in Chapter 10 entitled "Equipment Not Required To Be Vented" in the most current edition of NFPA 54 as adopted by the Board; and

2. Product Approved side wall horizontally vented gas fueled equipment installed in a room or structure separate from the dwelling, building or structure used in whole or in part for residential purposes.

(c) MANUFACTURER REQUIREMENTS - GAS EQUIPMENT VENTING SYSTEM PROVIDED. When the manufacturer of Product Approved side wall horizontally vented gas equipment provides a venting system design or venting system components with the equipment, the instructions provided by the manufacturer for installation of the equipment and the venting system shall include:

1. Detailed instructions for the installation of the venting system design or the venting system components; and
2. A complete parts list for the venting system design or venting system.

(d) MANUFACTURER REQUIREMENTS - GAS EQUIPMENT VENTING SYSTEM NOT PROVIDED. When the manufacturer of a Product Approved side wall horizontally vented gas fueled equipment does not provide the parts for venting the flue gases, but identifies "special venting systems", the following requirements shall be satisfied by the manufacturer:

1. The referenced "special venting system" instructions shall be included with the appliance or equipment installation instructions; and

2. The "special venting systems" shall be Product Approved by the Board, and the instructions for that system shall include a parts list and detailed installation instructions.

(e) A copy of all installation instructions for all Product Approved side wall horizontally vented gas fueled equipment, all venting instructions, all parts lists for venting instructions, and/or all venting design instructions shall remain with the appliance or equipment at the completion of the installation.

(3) After NFPA-54 section 10.10.4.2 add a new section 10.10.4.3 as follows:

When more than four gas appliances are to be vented through a common gas vent or common horizontal vent manifold, a plan of the proposed vent installation shall be submitted to the Inspector and the serving gas supplier for review and approval.

Extraction from: Massachusetts Rules and Regulations

5.00: Amendments To 2002 Edition Of ANSI Z223.1-NFPA-54



Hotshot Gas Fireplace Insert



Ferndale, Washington
TF: 1.800.789.6236
FX: 1.866.3000.0927

Langley, British Columbia
TF: 1.800.378.3115
FX: 1.604.607.6462