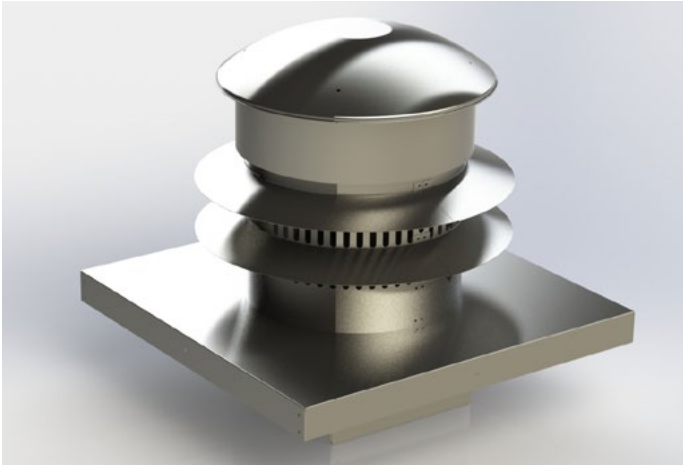


# Installation & Maintenance Manual



**MONTIGO**<sup>®</sup>  
the art of **fireplaces**

**PVVEX58-300 & PVVEX510-300**

**5/8 AND 5/10 EXTERNAL ROOF  
POWER VENT**



- The installation of this fireplace must be done by a qualified and certified gas appliance installer.
- Check local codes and read all instructions prior to installation.

**⚠ WARNING:**  
**FIRE OR EXPLOSION HAZARD**  
Failure to follow safety warnings exactly could result in serious injury, death, or property damage.

- Do not store or use gasoline or other flammable vapors and liquids in the vicinity of this or any other appliance.
- **WHAT TO DO IF YOU SMELL GAS**
  - Do not try to light any appliance.
  - Do not touch any electrical switch; do not use any phone in your building.
  - Leave the building immediately.
  - Immediately call your gas supplier from a neighbour's phone. Follow the gas supplier's instructions.
  - If you cannot reach your gas supplier, call the fire department.
- Installation and service must be performed by a qualified installer, service agency or the gas fitter.

## NOTICE

**Installer:** Leave this manual with the appliance.  
**Consumer:** Retain this manual for future reference.

## ⚠ CAUTION

Installation and service must be performed by a qualified installer, service agency or the gas fitter.

## ⚠ DANGER

Read and understand this manual. Improper installation, adjustment, alteration, service or maintenance can cause serious injury, property damage or even death. For assistance or additional information consult a qualified installer, service agency or the gas supplier.

## ⚠ WARNING

Some materials used in the manufacturing process of this product can expose you to Benzene which is known in the State of California to cause cancer and birth defects or other reproductive harm. For more information go to [www.P65warnings.ca.gov](http://www.P65warnings.ca.gov)

## Safety Alert Key

### DANGER

Indicates a hazardous situation which, if not avoided, WILL result in death or serious injury or property damage.

### WARNING

Indicates a hazardous situation which, if not avoided, COULD result in death or serious injury or property damage.

### CAUTION

Indicates a hazardous situation which, if not avoided, WILL result in minor or moderate injury.

### NOTICE

Indicates practices that are important, but not related to personal injury.

## Introduction

### Congratulations on your purchase of a Montigo Fireplace.

This installation guide covers installation of the Roof mount Power Vent System only. This system is designed to allow installation of gas fireplaces that cannot be done with a standard Direct Vent gas fireplace installation. ONLY USE WITH APPROVED FIREPLACES - see fireplace installation manual.

Read through the fireplace's installation & maintenance manual, as it must also be adhered to.

#### Power Cord Harnesses:

- EPVH10 - 10 foot power cord and harness
- EPVH20 - 20 foot power cord and harness
- EPVH40 - 40 foot power cord and harness
- EPVH50 - 50 foot power cord and harness
- EPVH60 - 60 foot power cord and harness
- EPVH80 - 80 foot power cord and harness
- EPVH100 - 100 foot power cord and harness

MODEL	5/8 Pipe Dimentions	5/10 Pipe Dimentions	Maximum Airflow	Speed
PVVEX58-300	X		300 CFM	2700 RPM
PVVEX510-300		X	300 CFM	2700 RPM

Figure 1 PV Specifications

### IMPORTANT:

For vent configurations and power vent locations, refer to fireplace manual.

## Section A: Before You Begin

### IMPORTANT MESSAGE: SAVE THESE INSTRUCTIONS

The unit must be installed in accordance with these instructions. Carefully read all the instructions in this manual first. Consult the Local Gas Branch to determine the need for a permit prior to starting the installation. It is the responsibility of the installer to ensure this fireplace is installed in compliance with the manufacturers instructions and all applicable codes.

### NOTICE

Do not use this appliance if any part has been under water. Immediately call a qualified service technician to inspect the appliance and to replace any part of the control system and any gas control that has been under water

### NOTICE

Due to high temperatures, the appliance should be located out of traffic and away from furniture and draperies

### NOTICE

Children and adults should be alerted to the hazards of high surface temperature and should stay away to avoid burns or clothing ignition

### NOTICE

Clothing or other flammable material should not be placed on or near the appliance

## Contents

<b>Safety Alert Key</b> .....	<b>2</b>
<b>Introduction</b> .....	<b>2</b>
Section A: Before You Begin .....	3
<b>Section 1: Dimensions</b> .....	<b>4</b>
PVVEX58-300 Product Dimensions.....	4
PVVEX510-300 Product Dimensions .....	5
<b>Section 2: Installing the power vent</b> .....	<b>6</b>
Installing the power vent .....	6
Conduit and Wiring Clearances .....	7
Power Vent Wiring.....	7
Capacitor Removal and Servicing .....	8
Motor and Capacitor Replacement.....	9
<b>Appendix A: Venting Terminations</b> .....	<b>11</b>
<b>Appendix B: Warranty</b> .....	<b>12</b>
<b>Appendix B: Warranty Continued</b> .....	<b>13</b>
<b>Appendix C: Amendment</b> .....	<b>14</b>
<b>(Gas Fireplace / Equipment sold in the State of Massachusetts)</b> .....	<b>14</b>

### NOTICE

Installation and repair should be done by a qualified service person. The appliance should be inspected before use and at least annually by a professional service person. More frequent cleaning might be required due to excessive lint from carpeting, bedding material, etc. It is imperative that control compartments, burners, and circulating air passageways of the appliance be kept clean

## Section 1: Dimensions

### PVVEX58-300 Product Dimensions

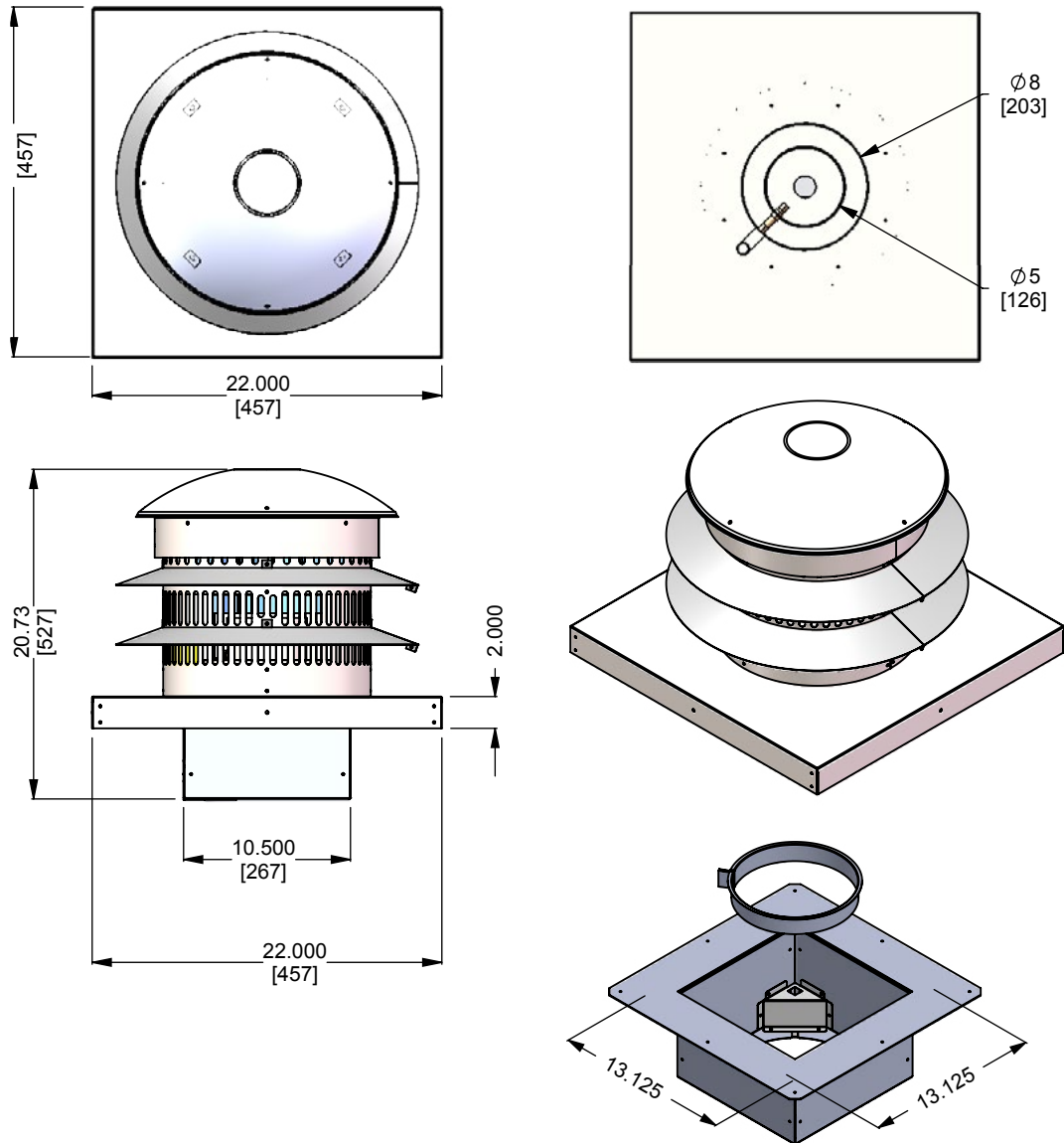
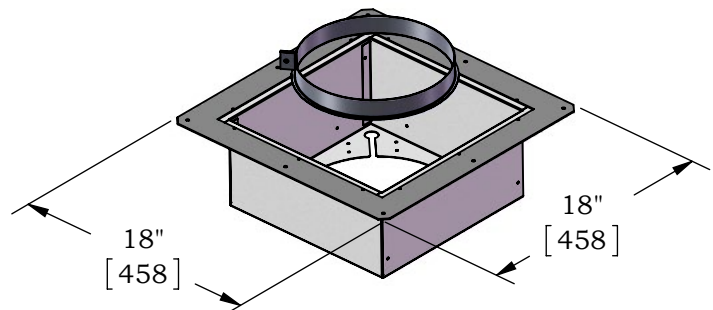
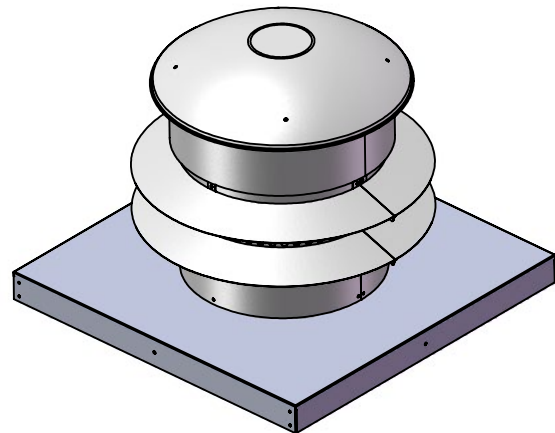
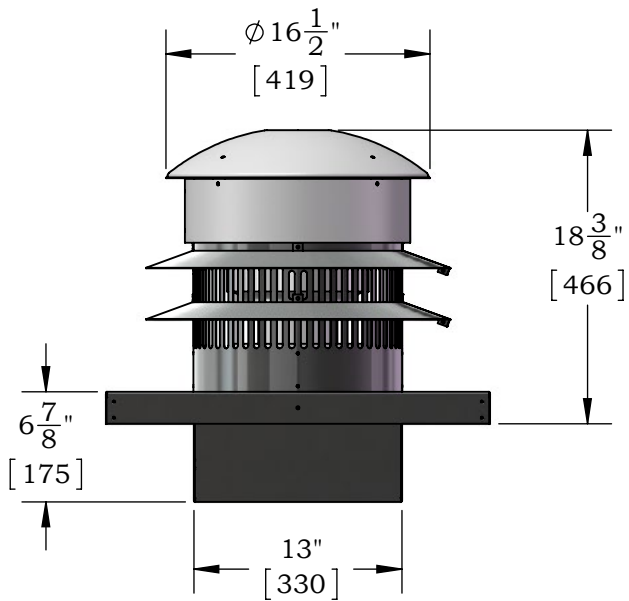
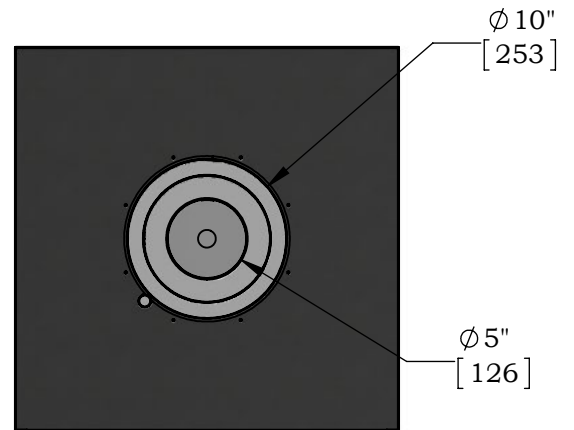
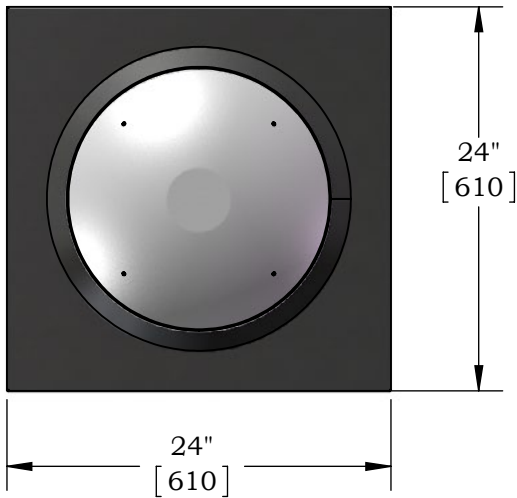


Figure 2.d Unit dimensions (Tolerance  $\pm 1/8"$ ).

## PVVEX510-300 Product Dimensions



## Section 2: Installing the power vent

### Installing the power vent

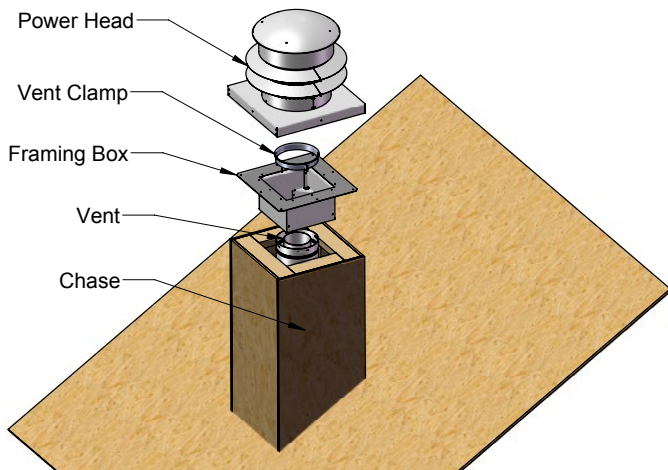
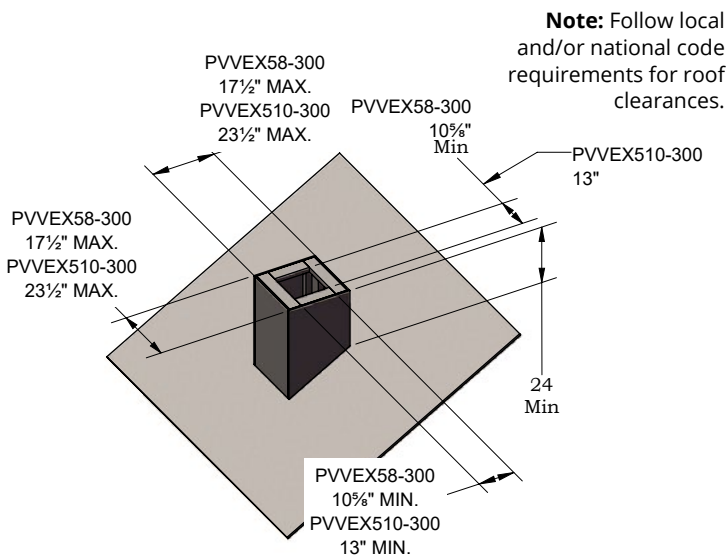


Figure 3.a Power vent components Exploded View

**Step 1:** Construct a chase box around the vent penetration with dimensions as shown.



**Note:** Follow local and/or national code requirements for roof clearances.

**Step 2:** Install the electrical harness (EPVH-10-100) that will communicate with the Power Vent. Run vent pipe from the fireplace to the chase. Make sure the last section is female end up and is flush with the top of the chase without going above it.

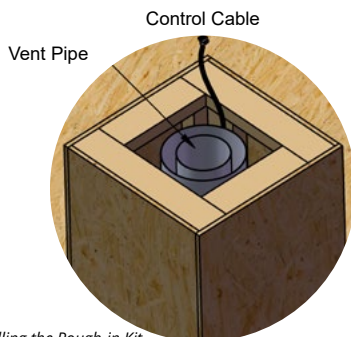


Figure 3.c Installing the Rough-in Kit.

**Step 3:** Remove the last section of vent pipe and put off to the side to be used later.

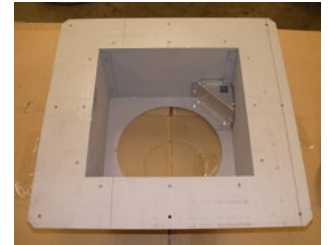


Figure 3.d Installing the Rough-in Kit.

**Step 4:** Unscrew 6 screws securing the control cable cover and remove it.



Figure 3.e Unscrewing control cable cover

**Step 5:** Unscrew 2 screws securing strain relief plate and remove it.



Figure 3.f Removing strain relief plate.

**Step 6:** Loosen nut on the strain relief of the control cable. Pass control cable through slot in rough in box making sure the nut stays is on the opposite side of the rough in box as the strain relief. Push the strain relief through the hole in the rough in box.

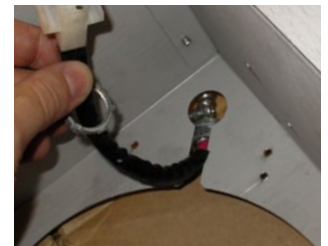


Figure 3.g

**Step 7:** Reinstall the strain relief plate. Make sure the strain relief nut is above the strain relief plate. Tighten the nut on the strain relief.



Figure 3.h

**Step 8:** Push the molex connector of the control cable through the hole in the control cable cover. Make sure the molex clicks in place so it does not fall out. Screw control cable cover back in place.

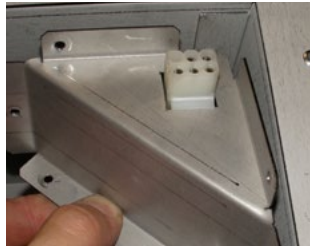


Figure 3.i

**Step 9:** Drop the rough in box over top of and inside the Chase.

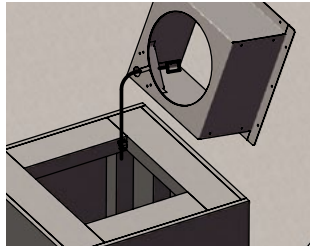


Figure 3.j

**Step 10:** Take the last section of pipe and install the vent clamp around the pipe. The bottom of the band should be 6 3/8" from the top of the pipe. Tighten the clamp using the supplied nut and screw.

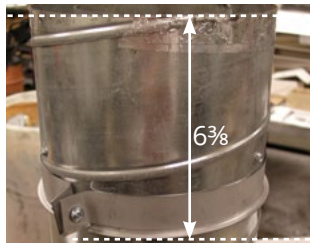


Figure 3.k

**Step 11:** Drop pipe down into the frame box. The pipe should be flush with the top of the frame box. Secure pipe connection below.



Figure 3.l

**Step 12:** Connect power cable of termination to the molex of the control cable.



Figure 3.m

**Step 13:** Place power vent over chase and fasten with 4 screws on the vertical sides of the base plate. Silicone seal the base plate in any location necessary to keep the structure of the building free of water or moisture.

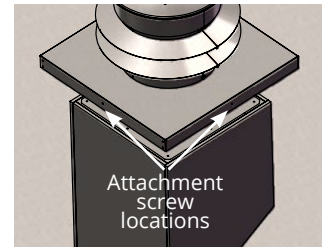
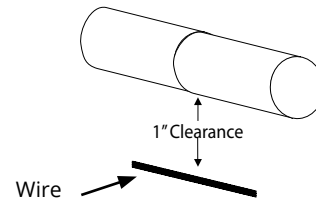


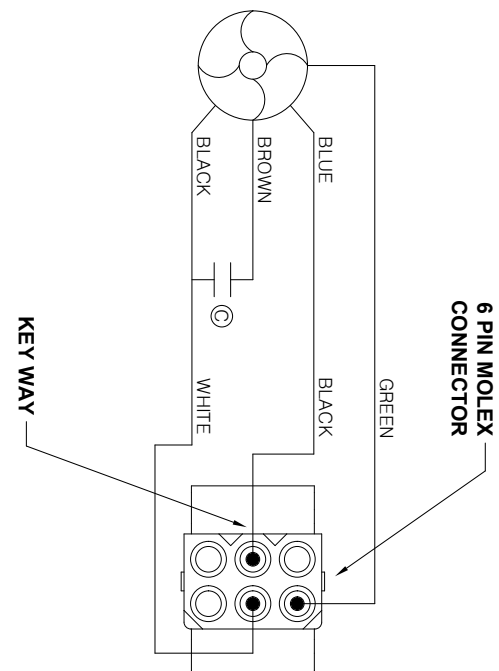
Figure 3.n

## Conduit and Wiring Clearances

Connect the power vent harness as outlined. Connect the wiring to the fireplace as outlined in the schematic shown in Figure 14 Section 3. Ensure that the proper clearances are maintained for the wiring and conduit. When installing the wiring, it must never run above the vent pipe and it must be at least 1" clear of all venting and other hot surfaces.



## Power Vent Wiring





## Capacitor Removal and Servicing

Capacitor Replacement [REC1252]

Turn off power and gas before servicing.

**Step 1:** Remove the 4 outer screws that fasten the top cover to the termination. Remove the cover.

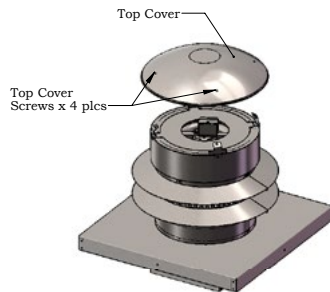


Figure 5.a

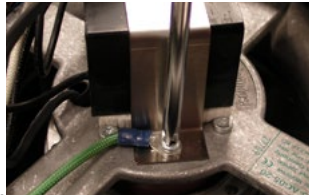
**Step 2:** Cut zap straps.

Unscrew ground wire/capacitor bracket from motor.

WARNING: Save this screw.



Figure 5.b



**Step 3:** Cut brown wire from motor and black wire from capacitor. Cut black fibre wire from power cable and blue wire from motor.



Figure 5.c



**Step 4:** Cut white fibre from power cable, black wire from capacitor and black wire from motor. Remove and dispose of old capacitor and open REC1252



Figure 5.d



**Step 5:** Strip ends of all cut wires and new capacitor. Screw new capacitor and ground wire to the motor using the existing screw you saved. Using a small bell connector, connect the blue wire from the motor to the black fibre wire from the power cable.

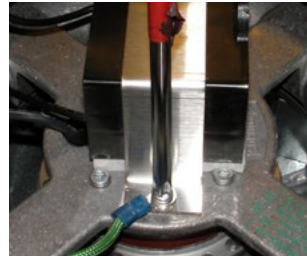


Figure 5.e



**Step 6:** Using the large bell connector, attach the white fibre wire from the power cable to the black from the motor and a black wire from capacitor. Attach the brown from the motor to the other black from the capacitor.



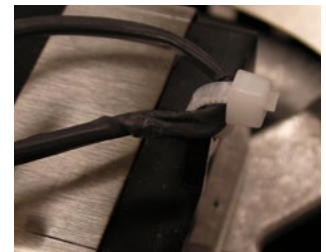
Figure 5.f



**Step 7:** Zap strap wires together in a neat bunch so that no wires fall into the motor. Zap strap wires to loop in the top of the capacitor.



Figure 5.g



**Step 8:** Test the power vent and make sure it is working properly. When looking down at the top of the motor the fan should be spinning counterclockwise. If it is spinning the wrong way or not at all it is wired incorrectly. Put the top cover back on using the supplied replacement screws.

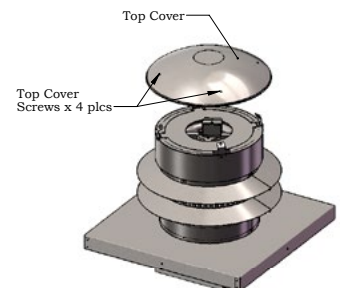


Figure 5.h



## Motor and Capacitor Replacement

[REC 1253]

Turn off power and gas before servicing.

**Step 1:** Remove the 4 outer screws that fasten the top cover to the termination. Remove the cover.

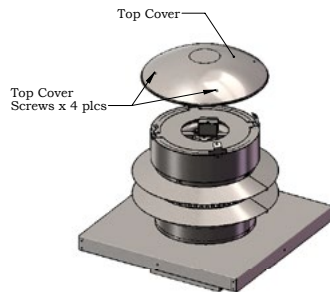


Figure 5.a

**Step 2:** Remove the 4 outer screws that fasten the wind baffle to the termination. Lower the wind baffle to rest on the rain skirt.

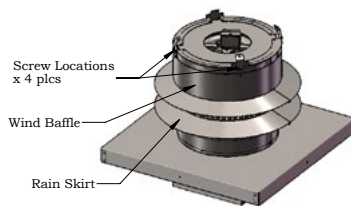


Figure 5.b

**Step 3:** Remove the 5 outer screws that fasten the top separator to the termination. Remove the top separator.

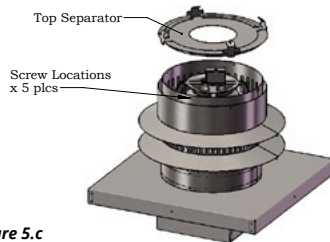


Figure 5.c

**Step 4:** Cut zap straps.

Unscrew ground wire/capacitor bracket from motor.



Figure 5.b

**Step 5:** Cut the black fibre wire from the power cable. Cut the white fibre wire from the power cable.

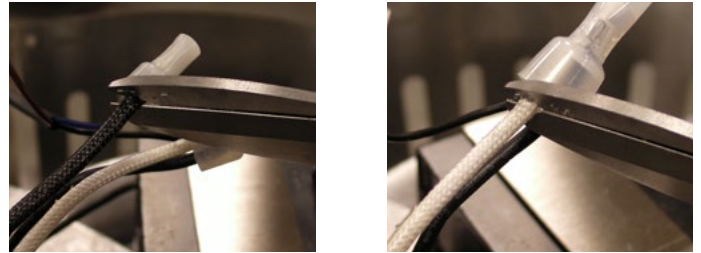


Figure 5.c

**Step 6:** Remove 4 screws securing the motor mounting plate. Lift out motor and capacitor.

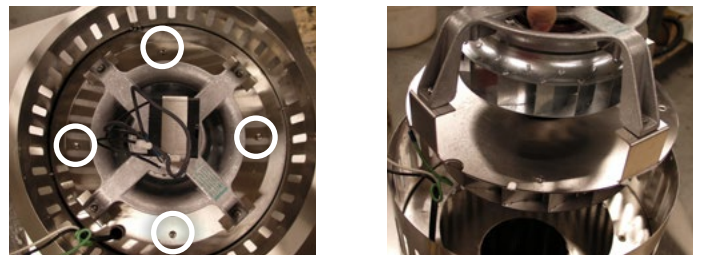


Figure 5.c

**Step 7:** Drop new motor assembly into the power vent and screw with supplied 4 screws and star washers. Line up cut out in motor mounting plate with electrical conduit. Remove the ground wire screw from the motor. NOTE: Save this screw for later.

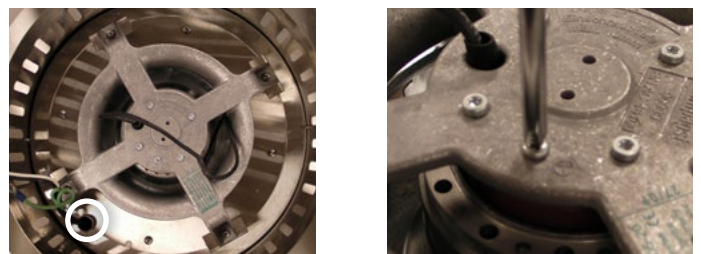


Figure 5.c

**Step 8:** Using the ground screw, screw the capacitor bracket and the ground wire to the motor. Strip the ends of all the wires. Using the large bell connector, connect the white fibre wire from the power cable to the black wire from the motor and one of the black wires from the capacitor.



Figure 5.c

**Step 9:** Using a small bell connector, connect the black fibre wire from the power cable to the blue wire of the motor. Using the other small bell connector, connect the other black wire from the capacitor to the brown wire from the motor.

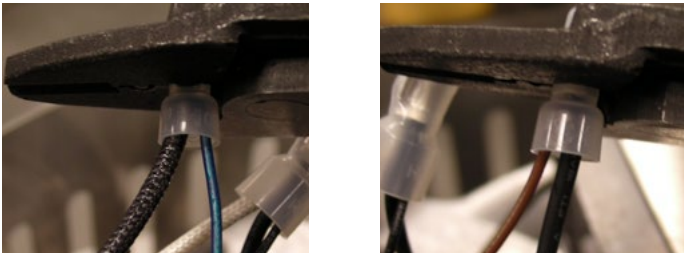


Figure 5.c

**Step 10:** Using a zap strap to bundle the wires neatly together. Using another zap strap, secure the bundle to the capacitor.

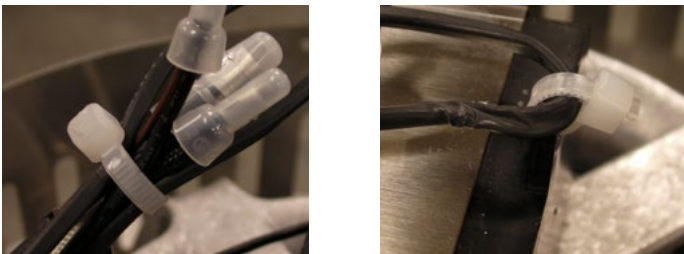


Figure 5.c

**Step 11:** Using the last two zap straps secure the wires to the leg of the motor. Make sure none of the wires can get caught in the motor.



Figure 5.c

**Step 12:** Reinstall the top separator with 5 supplied screws.

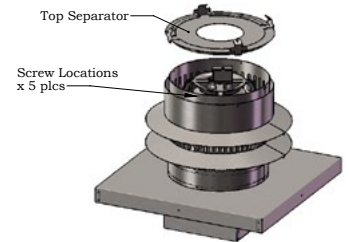


Figure 5.a

**Step 13:** Reinstall the wind baffle with supplied screws.

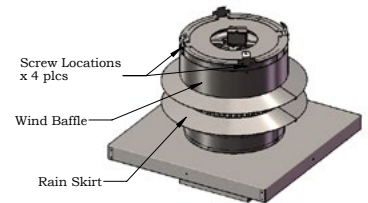


Figure 5.b

**Step 14:** Test the power vent and make sure it is working properly. When looking down at the top of the motor the fan should be spinning counterclockwise. If it is spinning the wrong way or not at all it is wired incorrectly. Put the top cover back on using the supplied replacement screws.

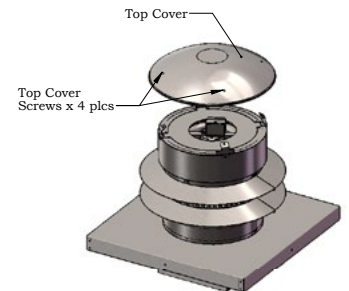
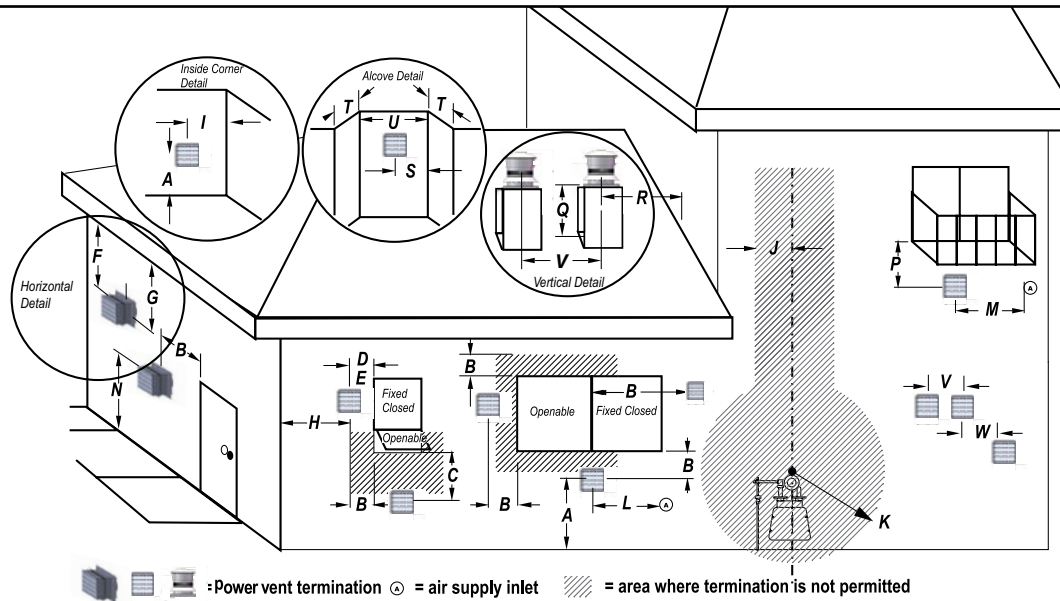


Figure 5.c

## Appendix A: Venting Terminations



	Location	Canada*	USA**
<b>A</b>	clearance to the termination frame above grade, veranda, porch, deck, or balcony	30 inches	30 inches
<b>B</b>	clearance to top of doors or operable windows	12 inches	12 inches
<b>C</b>	clearance to sides or bottom of door or operable windows	4 feet	4 feet
<b>D</b>	clearance to permanently closed window when installed with approved glass penetration termination	0	0
<b>E</b>	clearance to permanently closed window Recommended to prevent condensation	30 inches	30 inches
<b>F</b>	clearance to ventilated soffit located within a horizontal distance to 24 inches from centerline of termination	22 inches	22 inches
<b>G</b>	clearance to unventilated soffit	30 inches	30 inches
<b>H</b>	clearance to outside corner	30 inches	30 inches
<b>I</b>	clearance to inside corner	30 inches	30 inches
<b>J</b>	clearance to each side of the vertical centerline of a metre or regulatory assembly to a maximum vertical distance of 15ft	3 feet	3 feet
<b>K</b>	clearance to service regulator vent outlet	3 feet	3 feet
<b>L</b>	clearance to non mechanical air supply inlet to the building or combustion air inlet to other appliance for appliance <= 100.000 BTU/H (30 KW)	12 inches	4 feet
<b>L</b>	clearance to non mechanical air supply inlet to the building or combustion air inlet to other appliance for appliance > 100.000 BTU/H (30 KW)	6 feet	4 feet
<b>M</b>	clearance to forced air supply inlet	6 feet	3 feet above air inlet
<b>N+</b>	clearance above paved sidewalk or paved driveway located on public property	7 feet	7 feet
<b>P++</b>	clearance under veranda, porch, deck, or balcony	30 inches	30 inches
<b>Q</b>	clearance above roof	2 feet	2 feet
<b>R</b>	clearance to adjacent walls and neighboring buildings	30 inches	30 inches
<b>S</b>	clearance from corner in recessed location	30 inches	30 inches
<b>T</b>	Maximum depth of recessed location	48 inches	48 inches
<b>U</b>	Maximum width for back wall of recessed location	60 inches	60 inches
<b>V</b>	Horizontal clearance between two terminations that are level	30 inches	30 inches
<b>W</b>	Horizontal clearance (centre to centre) between two terminations that are not level	30 inches	30 inches

\* Based on CGA B149.1 Natural Gas and Propane installation code. Local codes may vary, please check with local regulatory agency.

\*\* Based on ANSI Z223.1/NFPA 54 National Fuel Gas Code. Local codes may vary, please check with local regulatory agency.

+ A vent shall not terminate directly above a sidewalk or paved driveway which is located between two single family dwellings and serve both dwellings.

++ Only permitted if veranda, porch, deck, or balcony is fully open on a minimum of two sides beneath the floor.

## Appendix B: Warranty

### MONTIGO RESIDENTIAL WARRANTY PROGRAM

Empire Comfort Systems, Inc. and/or Empire Comfort Systems Canada, Inc. (collectively referred to herein as "The Companies"), warrants the Montigo gas appliance (referred to herein as 'the appliance') to be free from defects in materials and workmanship at the time of manufacture. The gas appliance and related components are further subject to the terms and conditions set forth below.

This warranty covers the following Montigo product series: **Distinction, Divine & Divine Outdoor (H-Series), Illume (FID Inserts), Phenom (L/P/PL-Series), Exemplar (R/RP-Series), Mahana and DelRay**

Component	Coverage Period	Labor Coverage
Firebox, heat exchanger	15 years	1 year
Main burner	15 years	1 year
Gas control valve and related control components (pilot assembly, spark electrode flame sensors, thermopile)	1 year	1 year
Electrical components (internal blowers, ignition control module, wiring, switches, remote control systems, blower control module, accent bulbs)	1 year	1 year
Firebox media (logset, glass beads, river rocks)	1 year	1 year
Glass (thermal breakage)	1 year	1 year
Plated, painted finishes (including interior reflective glass) *	1 year	1 year
Refractory lining	1 year	1 year
Mesh/Glass safety barriers	1 year	1 year
Power vent termination	1 year	1 year
Montigo terminations*	10 years	1 year
Montigo venting (excluding termination)	15 years	1 year

\* Exterior painted surfaces exempt

### QUALIFICATIONS TO THE WARRANTY

This Warranty only covers gas appliances installed in the United States or Canada.

To receive the benefits of this warranty, the appliance must be purchased, installed and serviced annually by a dealer authorized by The Companies for the warranty to be valid.

The gas appliance must be installed by a licensed professional in accordance with The Companies' installation instructions and local building codes. The warranty on the appliance covers only components manufactured by The Companies. The use of components manufactured or supplied by other manufacturers and used in conjunction with the appliance could create serious safety hazards, may result in the denial of certification by recognized national safety agencies and could violate local building codes. Such use may untimely void this warranty. This warranty does not cover any damages occurring from the use of any components not manufactured or supplied by The Companies.

The appliance must be subjected to normal use. The appliance is designed to burn natural gas (NG) or liquefied petroleum (LP) only. Burning conventional fireplace fuels such as wood, coal or any other solid fuel will cause damage to the appliance, produce

excessive temperatures will result in a fire hazard and void all warranties. This warranty is transferable. The appliance must remain in its original place of installation to be valid.

If the components of the appliance covered by this warranty are found to be defective within the time frame stated (see The Companies investigation of claims), The Companies will, at its option, replace or repair defective components of the appliance manufactured by The Companies at no charge and will also pay for labor costs (in accordance with schedule) incurred in replacing or repairing components. If repair or replacement is not commercially practical, The Companies will, at its sole discretion, fully discharge all obligations under the warranty by refunding the verified dealer purchase price of the appliance, excluding the cost of labor unless the labor is covered by the terms of the warranty.

This warranty covers only parts and labor as provided above. In no case shall the companies be responsible for materials, components or construction, which are not manufactured or supplied by The Companies, or for the labor necessary to install, repair or remove such materials, components or construction. All replacement or repair components will be shipped F.O.B. from the nearest Company factory.

### LIMITATION ON LIABILITY

It is agreed and understood that The Companies sole obligation, and purchaser's exclusive remedy under this warranty, under any other warranty, expressed or implied, or in contract, tort or otherwise, shall be limited to repair, replacement or refund as specified above. The opinion of The Companies with respect to these matters shall be final.

In no event shall The Companies be responsible for any incidental or consequential damages caused by (but not limited to) improper installation, installation by an unqualified or unauthorized installer, accident, lack of regular maintenance, user error, abuse, misuse, Acts of God, power surges, floods, natural disasters, force majeure, defects in its appliance whether such damage occurs or is discovered before or after replacement or repair, and whether or not such damage is caused by The Companies negligence. Some jurisdictions do not allow the exclusion or limitation of incidental or consequential damages, so the above limitation or exclusion may not apply to you. The duration of any implied warranty with respect to the appliance is limited to the duration of the foregoing warranty. Some jurisdictions do not allow limitations on how long an implied warranty lasts, so the above limitation or exclusion may not apply to you.

## Appendix B: Warranty Continued

### EXCLUSIONS TO WARRANTY

Corrosion or rust of any kind due to a lack of maintenance, inadequate combustion air or improper venting and corrosive chemicals/environments, expansion and contraction of metals or minor movements of components causing noise are not covered by this warranty.

Willful misconduct (i.e. use of the appliance with problems known to the purchaser and causing further damages), including unauthorized or self-performed 'fixing' or exploration of the appliance's internal workings will void the warranty.

Appliances on which the serial number has been altered, defaced, removed or made illegible will void the warranty.

Costs incurred for diagnosis, service work, shipping and handling of defective or replacement parts are not covered under this warranty.

The published warranties are not applicable for any equipment manufactured by The Companies that has been sold direct to the consumer via internet or auction websites. The Companies do not endorse, approve or certify any online sale of its products through auction websites, online retailers or any other method of online sales direct to consumers.

### INVESTIGATION OF CLAIMS AGAINST WARRANTY

The Companies reserve the right to investigate any and all claims against this warranty and decide upon method of settlement.

The Companies are not responsible for work done without written consent of The Companies.

The Companies shall in no event be responsible for any warranty work done without first obtaining the Companies written consent.

The Companies employees and dealers have no authority to make any warranties to neither alter this warranty nor authorize any remedies in addition to or inconsistent with those stated within this warranty.

### IF WARRANTY SERVICE IS NEEDED

To make a claim under this warranty, contact your installing dealer or contractor. The installing dealer is responsible for providing service and will contact the companies to initiate warranted parts replacements. In the event the installing dealer is unavailable, contact your nearest authorized Montigo dealer ([www.Montigo.com](http://www.Montigo.com)) or contact Montigo direct at [techsupport@montigo.com](mailto:techsupport@montigo.com). Ensure you have your sales receipt and the model and serial number of your appliance.

### DO NOT ATTEMPT TO DO ANY SERVICE WORK YOURSELF

If you cannot locate the installing dealer, or nearest dealer/distributor, you must notify The Companies in writing.

### USA Offices

6955 Salashan Parkway  
Ferndale WA, 98248  
[techsupport@montigo.com](mailto:techsupport@montigo.com)

### Canadian Offices

27342 Gloucester Way  
Langley, BC V4W 4A1  
[techsupport@montigo.com](mailto:techsupport@montigo.com)

The terms and conditions of this warranty may be altered or amended from time to time without prior notice.

**WARRANTY PERIOD:** Warranty coverage begins on the date of original purchase. In the case of new construction, warranty coverage begins on the date of first occupancy of the dwelling or six months after the sale of the product by an independent, authorized Company dealer/ distributor, whichever occurs earlier.



## Appendix C: Amendment

(Gas Fireplace / Equipment sold in the State of Massachusetts)  
5.08: Modifications to NFPA-54, Chapter 10

- (1) Revise NFPA-54 section 10.5.4.2 by adding a second exception as follows:
- Existing chimneys shall be permitted to have their use continued when a gas conversion burner is installed, and shall be equipped with a manually reset device that will automatically shut off the gas to the burner in the event of a sustained back-draft.
- (2) Revise 10.8.3 by adding the following additional requirements:
- (a) For all side wall horizontally vented gas fueled equipment installed in every dwelling, building or structure used in whole or in part for residential purposes, including those owned or operated by the Commonwealth and where the side wall exhaust vent termination is less than seven (7) feet above finished grade in the area of the venting, including but not limited to decks and porches, the following requirements shall be satisfied:
1. **INSTALLATION OF CARBON MONOXIDE DETECTORS.** At the time of installation of the side wall horizontal vented gas fueled equipment, the installing plumber or gas fitter shall observe that a hard wired carbon monoxide detector with an alarm and battery back-up is installed on the floor level where the gas equipment is to be installed. In addition, the installing plumber or gas fitter shall observe that a battery operated or hard wired carbon monoxide detector with an alarm is installed on each additional level of the dwelling, building or structure served by the side wall horizontal vented gas fueled equipment. It shall be the responsibility of the property owner to secure the services of qualified licensed professionals for the installation of hard wired carbon monoxide detectors
    - a. In the event that the side wall horizontally vented gas fueled equipment is installed in a crawl space or an attic, the hard wired carbon monoxide detector with alarm and battery back-up may be installed on the next adjacent floor level.
    - b. In the event that the requirements of this subdivision can not be met at the time of completion of installation, the owner shall have a period of thirty (30) days to comply with the above requirements; provided, however, that during said thirty (30) day period, a battery operated carbon monoxide detector with an alarm shall be installed.
  2. **APPROVED CARBON MONOXIDE DETECTORS.** Each carbon monoxide detector as required in accordance with the above provisions shall comply with NFPA 720 and be ANSI/UL 2042 listed and IAS certified.
  3. **SIGNAGE.** A metal or plastic identification plate shall be permanently mounted to the exterior of the building at a minimum height of eight (8) feet above grade directly in line with the exhaust vent terminal for the horizontally vented gas fueled heating appliance or equipment. The sign shall read, in print size no less than one-half (1/2) inch in size, "GAS VENT DIRECTLY BELOW. KEEP CLEAR OF ALL OBSTRUCTIONS".
4. **INSPECTION.** The state or local gas inspector of the side wall horizontally vented gas fueled equipment shall not approve the installation unless, upon inspection, the inspector observes carbon monoxide detectors and signage installed in accordance with the provisions of 248 CMR 5.08(2)(a)1 through 4.
- (b) **EXEMPTIONS:** The following equipment is exempt from 248 CMR 5.08(2)(a)1 through 4:
1. The equipment listed in Chapter 10 entitled "Equipment Not Required To Be Vented" in the most current edition of NFPA 54 as adopted by the Board; and
  2. Product Approved side wall horizontally vented gas fueled equipment installed in a room or structure separate from the dwelling, building or structure used in whole or in part for residential purposes.
- (c) **MANUFACTURER REQUIREMENTS - GAS EQUIPMENT VENTING SYSTEM PROVIDED.** When the manufacturer of Product Approved side wall horizontally vented gas equipment provides a venting system design or venting system components with the equipment, the instructions provided by the manufacturer for installation of the equipment and the venting system shall include:
1. Detailed instructions for the installation of the venting system design or the venting system components; and
  2. A complete parts list for the venting system design or venting system.
- (d) **MANUFACTURER REQUIREMENTS - GAS EQUIPMENT VENTING SYSTEM NOT PROVIDED.** When the manufacturer of a Product Approved side wall horizontally vented gas fueled equipment does not provide the parts for venting the flue gases, but identifies "special venting systems", the following requirements shall be satisfied by the manufacturer:
1. The referenced "special venting system" instructions shall be included with the appliance or equipment installation instructions; and
  2. The "special venting systems" shall be Product Approved by the Board, and the instructions for that system shall include a parts list and detailed installation instructions.
- (e) A copy of all installation instructions for all Product Approved side wall horizontally vented gas fueled equipment, all venting instructions, all parts lists for venting instructions, and/or all venting design instructions shall remain with the appliance or equipment at the completion of the installation.
- (3) After NFPA-54 section 10.10.4.2 add a new section 10.10.4.3 as follows:
- When more than four gas appliances are to be vented through a common gas vent or common horizontal vent manifold, a plan of the proposed vent installation shall be submitted to the Inspector and the serving gas supplier for review and approval.

Extraction from: Massachusetts Rules and Regulations

5.00: Amendments To 2002 Edition Of ANSI Z223.1-NFPA-54



# **PVVEX58-300**

# **PVVEX510-300**

Roof Power Vent