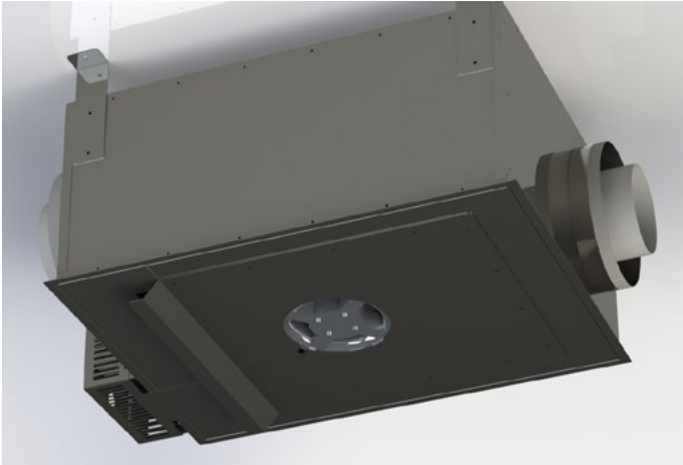


Installation & Maintenance Manual



MONTIGO[®]
the art of **fireplaces**

PVHIN58-300-FS
TMHIN58-40

**5/8 INLINE POWER VENT
FLUSH LOUVERED TERMINATION**



- The installation of this fireplace must be done by a qualified and certified gas appliance installer.
- Check local codes and read all instructions prior to installation.

⚠ WARNING:
FIRE OR EXPLOSION HAZARD
Failure to follow safety warnings exactly could result in serious injury, death, or property damage.

- Do not store or use gasoline or other flammable vapors and liquids in the vicinity of this or any other appliance.
- WHAT TO DO IF YOU SMELL GAS
 - Do not try to light any appliance.
 - Do not touch any electrical switch; do not use any phone in your building.
 - Leave the building immediately.
 - Immediately call your gas supplier from a neighbour's phone. Follow the gas supplier's instructions.
 - If you cannot reach your gas supplier, call the fire department.
- Installation and service must be performed by a qualified installer, service agency or the gas fitter.

NOTICE

Installer: Leave this manual with the appliance.
Consumer: Retain this manual for future reference.

⚠ CAUTION

Installation and service must be performed by a qualified installer, service agency or the gas fitter.

⚠ DANGER

Read and understand this manual. Improper installation, adjustment, alteration, service or maintenance can cause serious injury, property damage or even death. For assistance or additional information consult a qualified installer, service agency or the gas supplier.

⚠ WARNING

Some materials used in the manufacturing process of this product can expose you to Benzene which is known in the State of California to cause cancer and birth defects or other reproductive harm. For more information go to www.P65warnings.ca.gov

Safety Alert Key

DANGER

Indicates a hazardous situation which, if not avoided, WILL result in death or serious injury or property damage.

WARNING

Indicates a hazardous situation which, if not avoided, COULD result in death or serious injury or property damage.

CAUTION

Indicates a hazardous situation which, if not avoided, WILL result in minor or moderate injury.

NOTICE

Indicates practices that are important, but not related to personal injury.

Introduction

Congratulations on your purchase of a Montigo Fireplace.

This installation guide covers installation of the External Power Vent System only. This system is designed to allow installation of gas fireplaces that cannot be done with a standard Direct Vent gas fireplace installation. Only for use on R-Series, R-Series See-Through and RP-Series, that uses the 5/8 venting system.

ONLY USE WITH APPROVED FIREPLACES - see fireplace installation manual.

Read through the fireplace's installation & maintenance manual, as it must also be adhered to.

Power Cord Harnesses:

The Montigo warranty will be voided by, and Montigo disclaims any responsibility for, the following actions:

- EPVH10 - 10 foot power cord and harness
- EPVH20 - 20 foot power cord and harness
- EPVH40 - 40 foot power cord and harness
- EPVH50 - 50 foot power cord and harness
- EPVH60 - 60 foot power cord and harness
- EPVH80 - 80 foot power cord and harness
- EPVH100 - 100 foot power cord and harness

IMPORTANT:

For vent configurations and power vent locations, refer to fireplace manual.

MODEL	4/7 Pipe Dimensions	5/8 Pipe Dimensions	Maximum Airflow	Speed
PVHIN58-300		X	300 CFM	2700 RPM

Figure 1 PV Specifications

CAUTION

When cold air enters the building interior, primarily at the air intake end, condensation may occur on the exterior of the pipe. To limit this condensation, install insulation over the last twenty feet of pipe. Also, by sloping the last 20' of pipe downwards towards the exterior of the building will help eliminate any condensation problems, should they occur. Ensure the termination is securely fastened and sealed to the pipe. Fasten the termination to the exterior of the building with water tight sealant and the appropriate fasteners.

Section A: Before You Begin

IMPORTANT MESSAGE: SAVE THESE INSTRUCTIONS

The unit must be installed in accordance with these instructions. Carefully read all the instructions in this manual first. Consult the Local Gas Branch to determine the need for a permit prior to starting the installation. It is the responsibility of the installer to ensure this fireplace is installed in compliance with the manufacturers instructions and all applicable codes.

NOTICE

Do not use this appliance if any part has been under water. Immediately call a qualified service technician to inspect the appliance and to replace any part of the control system and any gas control that has been under water

NOTICE

Due to high temperatures, the appliance should be located out of traffic and away from furniture and draperies

NOTICE

Children and adults should be alerted to the hazards of high surface temperature and should stay away to avoid burns or clothing ignition

NOTICE

Clothing or other flammable material should not be placed on or near the appliance

Contents

Safety Alert Key	2
Introduction	2
Section A: Before You Begin	3
Section 1: Dimensions	4
PVHIN58-300 Inline power vent unit dimensions	4
TMHIN58-40 termination unit dimensions	4
Section 2: Installing the power vent	5
Power Vent Clearances	5
Venting Installation.....	6
Venting Installation.....	6
Linear Power Vent - Horizontal Vent	6
Vertical Mounting	6
Horizontal Mounting.....	6
Horizontal / Downward Vent	6
Linear Power Vent - Vertical Vent.....	7
Vertical Mount with Vertical Vent Run.....	7
Conduit and Wiring Clearances	8
Power Vent Wiring.....	9
Section 3: TMHIN58-40 Termination	10
Termination clearances	10
Section 3-3-1: Capacitor Replacement - REC 1257	11
Motor & Capacitor Replace - REC 1258	12
Appendix A: Venting Terminations	14
Appendix B: Warranty	15
Appendix B: Warranty Continued	16
Appendix C: Amendment	17
(Gas Fireplace / Equipment sold in the State of Massachusetts)	17

NOTICE

Installation and repair should be done by a qualified service person. The appliance should be inspected before use and at least annually by a professional service person. More frequent cleaning might be required due to excessive lint from carpeting, bedding material, etc. It is imperative that control compartments, burners, and circulating air passageways of the appliance be kept clean

Section 1: Dimensions

PVHIN58-300 Inline power vent unit dimensions

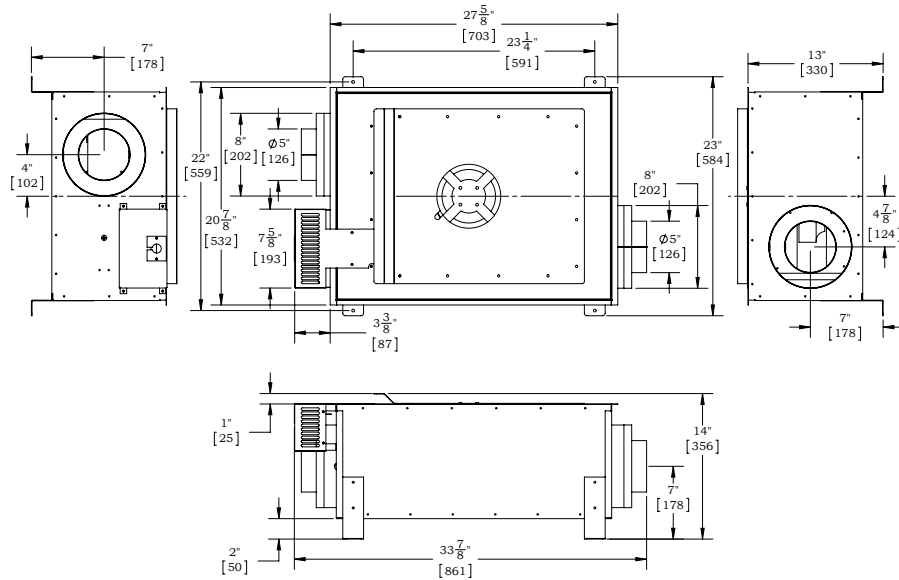


Figure 2. Unit dimensions (Tolerance $\pm \frac{1}{16}"$).

TMHIN58-40 termination unit dimensions

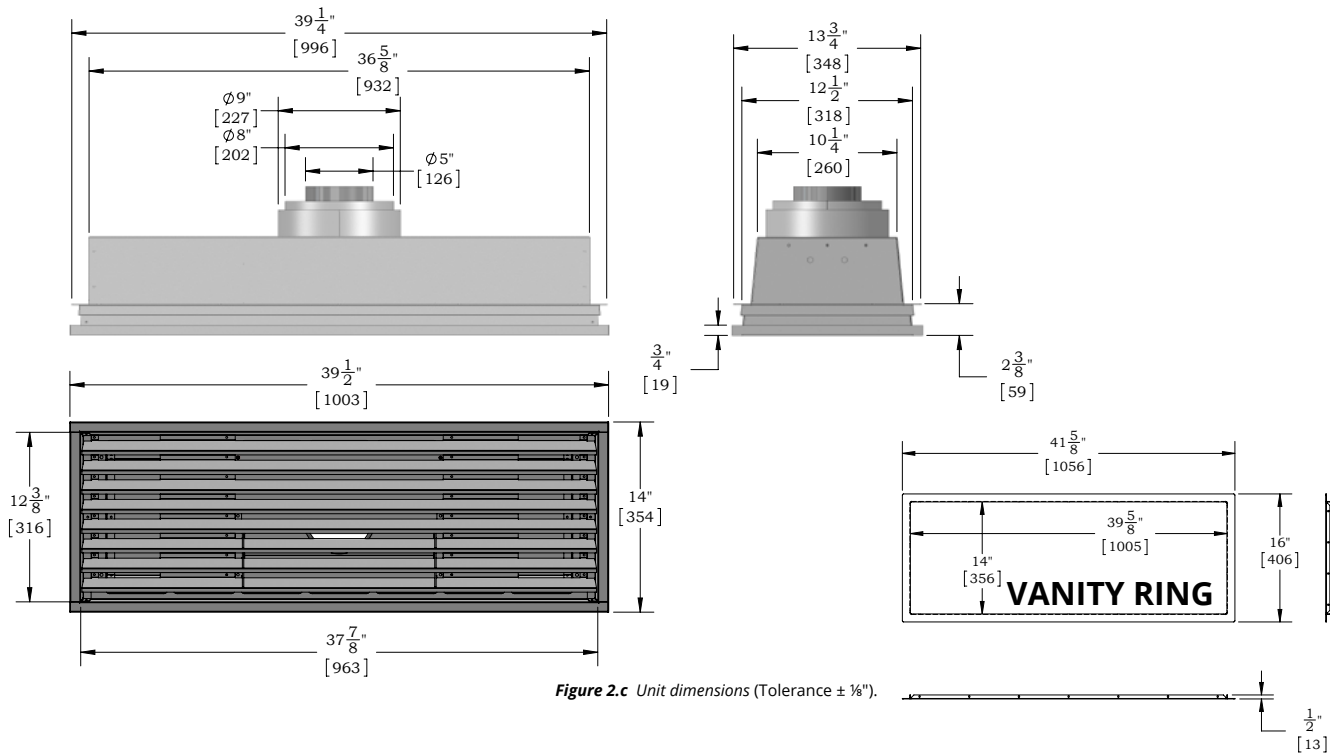


Figure 2.c Unit dimensions (Tolerance $\pm \frac{1}{16}"$).

Section 2: Installing the power vent

Power Vent Clearances

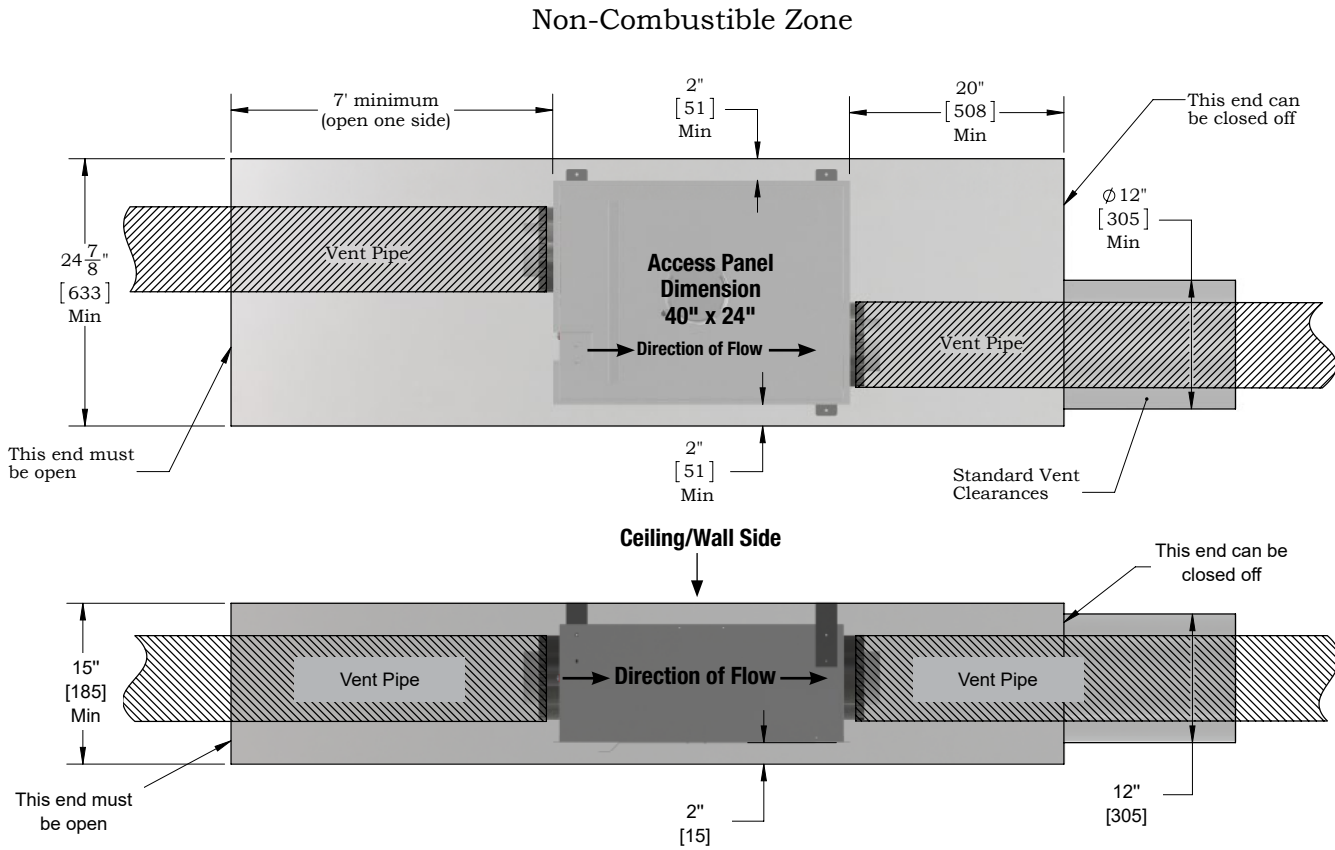


Figure 3. Clearances

Venting Installation

The Power Vent must be installed with a gas fireplace equipped with an electronic ignition system. When installing the venting, the installation must adhere to the Venting Installation Section in the fireplace's Installation Instructions, as well as the following guidelines:

- Ensure that the planned termination location is acceptable.
- Minimum of 2 feet of straight pipe before the power vent.

Venting Installation

1. The linear power vent can be installed to existing stud construction or directly to cement wall or roof. The unit must maintain 1" clearances to combustibles. The required service access panel must be framed at 18" X 18". To enclose the service access panel, (at less than 1") a minimum 30% free air must be supplied at all times.
2. Plug the power chord into the available slot in the linear power vent.
3. Secure all venting joints with at least three screws and ensure that the joints are properly sealed by applying high temperature silicone.

Linear Power Vent - Horizontal Vent

Multi-elbow installations are possible up to a maximum eighty feet (80'-0"), with three (3) 90° elbows. Minimum vent run from Fireplace to Power Vent must be two feet, (2'-0"). Maximum allowable vent run must be reduced by Ten feet (10'-0") for every 90° elbow added. With a snorkel Termination, reduce the total vent run by an additional twenty feet (20'-0").

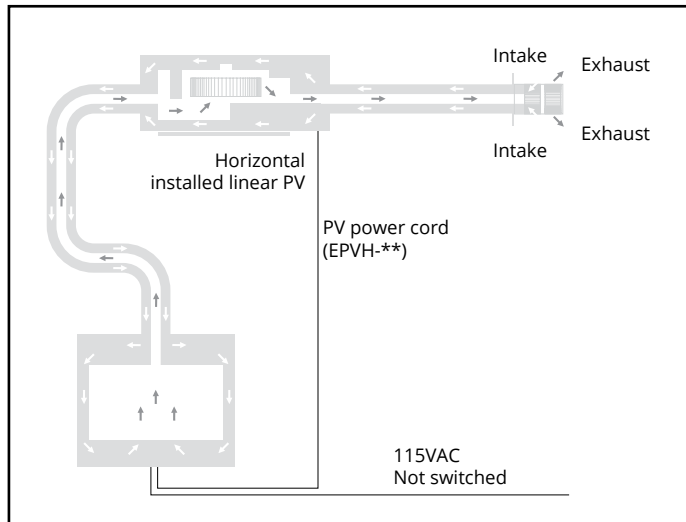


Figure 8.h Horizontal Mounting with horizontal termination

Vertical Mounting

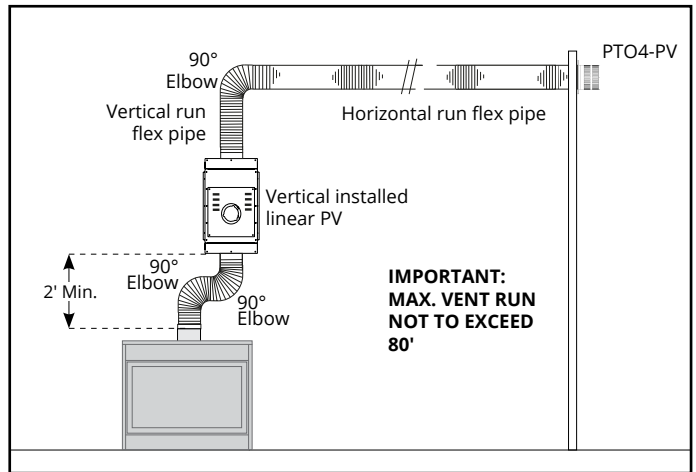


Figure 8.h Vertical Mounting with horizontal termination

Horizontal Mounting

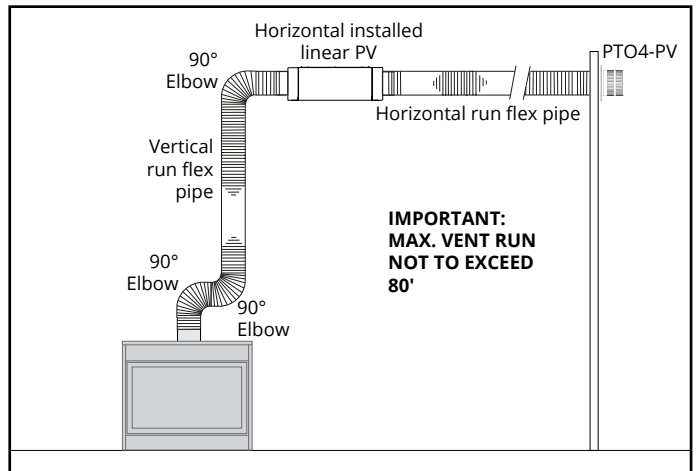


Figure 8.h Horizontal Mounting with horizontal termination

Horizontal / Downward Vent

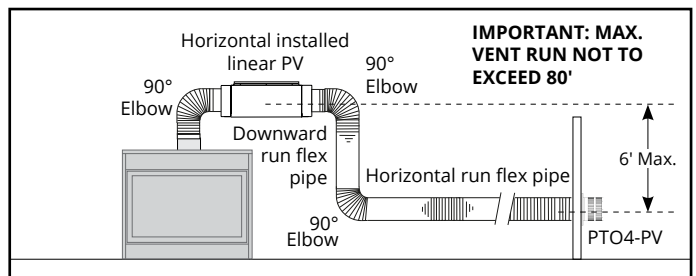


Figure 8.h Horizontal Mounting with horizontal termination

Linear Power Vent - Vertical Vent

Multi-elbow installations are possible up to a maximum one-hundred feet (1-0'-0"), with three (3) 90° elbows. Minimum vent run from Fireplace to Power Vent must be two feet, (2'-0"). Maximum allowable vent run must be reduced by Ten feet (10'-0") for every 90° elbow added.

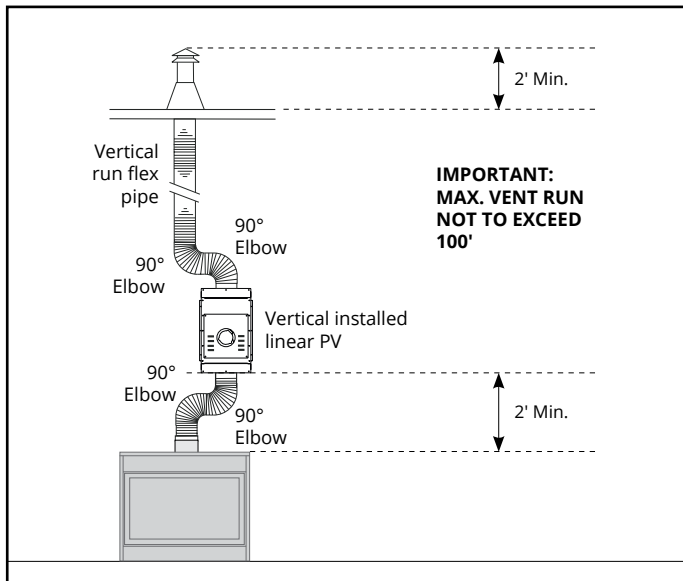


Figure 8.h Vertical Mounting with vertical termination

Vertical Mount with Vertical Vent Run

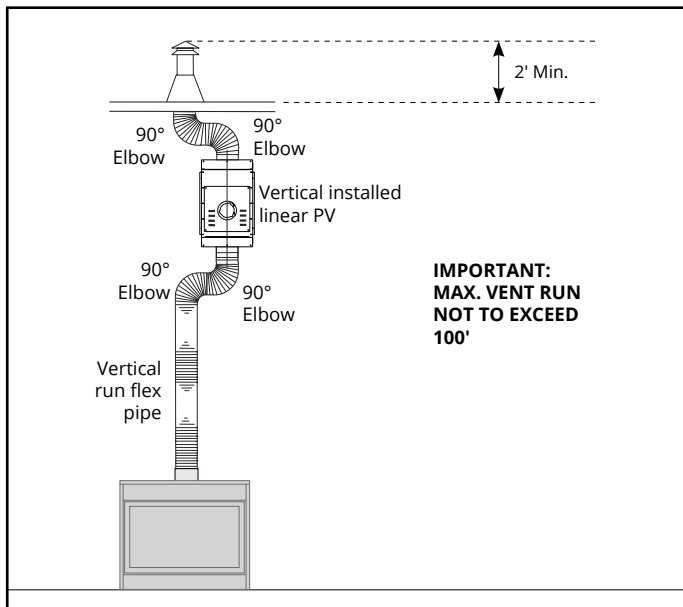


Figure 8.h Vertical Mounting with vertical termination

Step 1: Unpack the power vent from supplied box.



Figure 3.b

Step 2: Attach mounting feet by removing screws and tape.



Figure 3.c

Step 3: Power vent cannot be installed closer than 7 feet of venting to the appliance. This is the case whether vertical, horizontal or any combination.

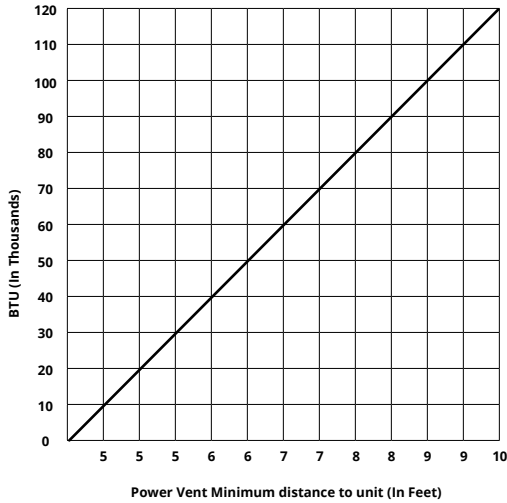


Figure 3.d

Step 4: See Fireplace Manual for approved vent runs. Make sure you have the correct orientation of power vent. One end must face the fireplace and one end must face the termination.

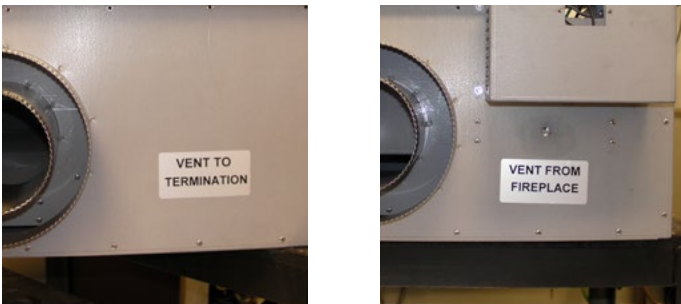


Figure 3.e

Step 5: Remove two screws securing electrical plate. Remove power vent cable from inside component cover.



Figure 3.f

Step 6: Take electrical harness [EPVH-10-100] that will communicate with the power vent, and attach the strain relief for it to the electrical plate. Tighten the nut on the strain relief.



Figure 3.g

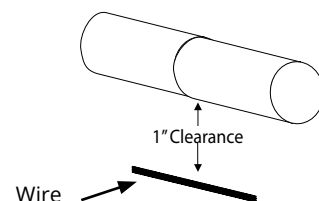
Step 7: Attach the power cable from the power vent to the control cable. Push all excess cable back into the component cover. Screw electrical plate back on the power vent.



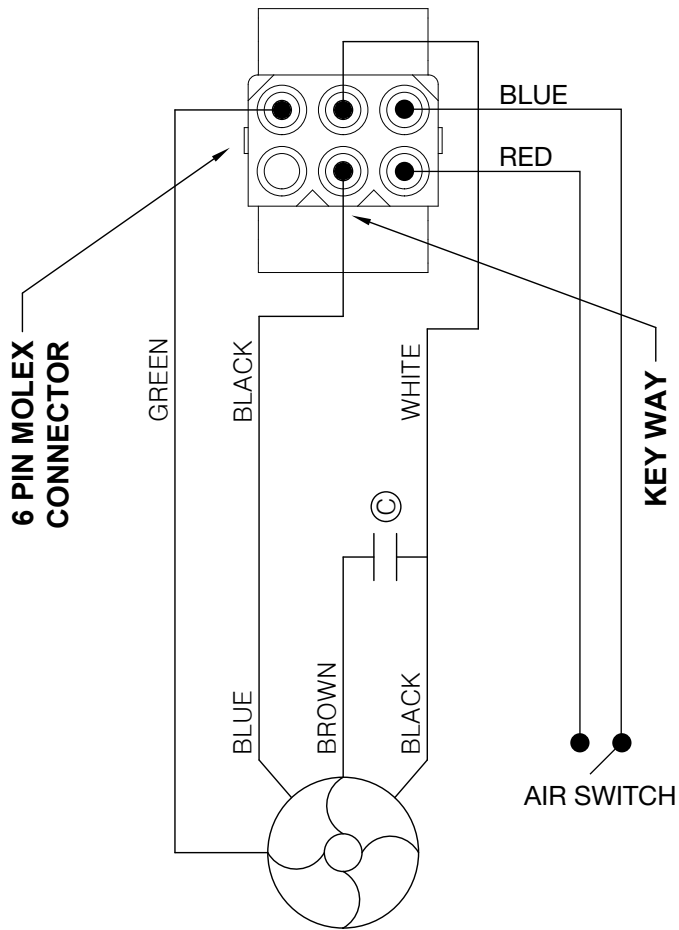
Figure 3.h

Conduit and Wiring Clearances

Connect the power vent harness as outlined. Connect the wiring to the fireplace as outlined in the schematic shown in Figure 14 Section 3. Ensure that the proper clearances are maintained for the wiring and conduit. When installing the wiring, it must never run above the vent pipe and it must be at least 1" clear of all venting and other hot surfaces.

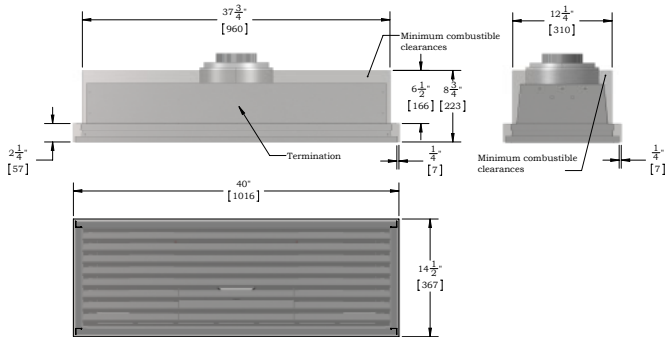


Power Vent Wiring

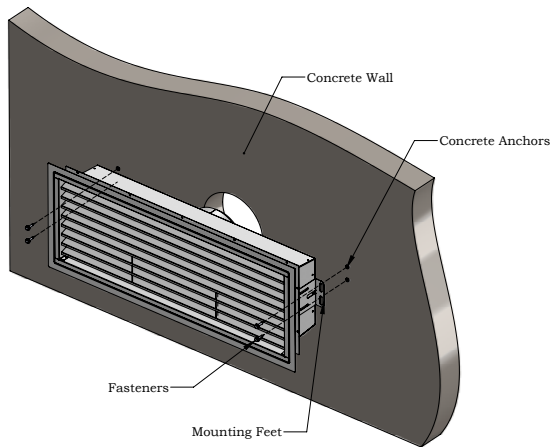


Section 3: TMHIN58-40 Termination

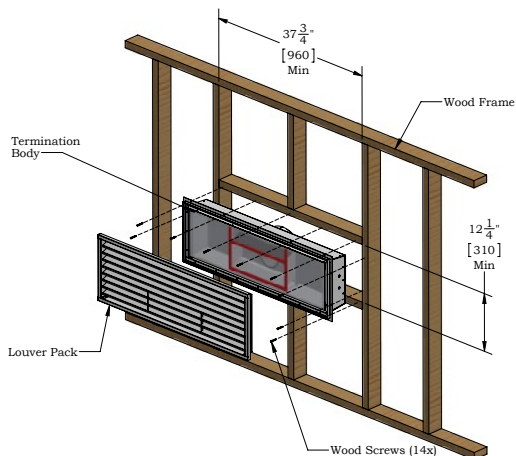
Termination clearances



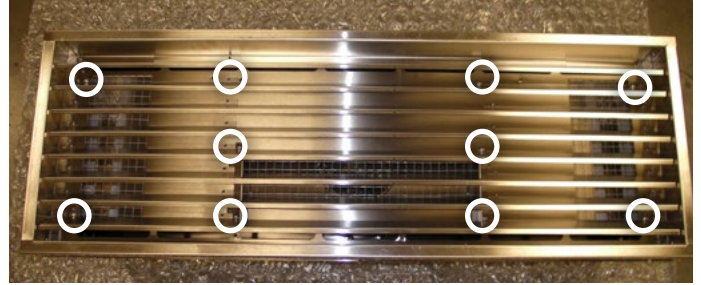
Step 1: If doing a concrete install, the termination has two adjustable mounting feet on the sides of the termination.



Step 2: If doing a combustible frame install, remove the concrete mounting feet and install as shown



Step 3: There is an optional vanity ring to cover the unfinished edges of rock facing on the exterior wall around the termination. First, remove the door.



Step 4: To install, place vanity ring around door until vanity ring is flush with surface of door.



Step 5: Clamp ring in place and drill out holes around the perimeter of door.



Step 6: Secure vanity ring with stainless steel screws or rivets. Apply silicone over top of screws or rivets to prevent leaks. Reinstall the door.

Section 3-3-1: Capacitor Replacement - REC 1257

Step 1: Remove screws securing blower cover.

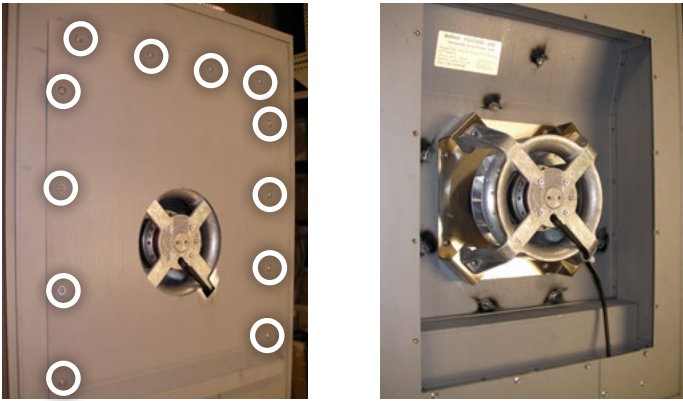


Figure 4.a

Step 2: Remove screws securing component cover.

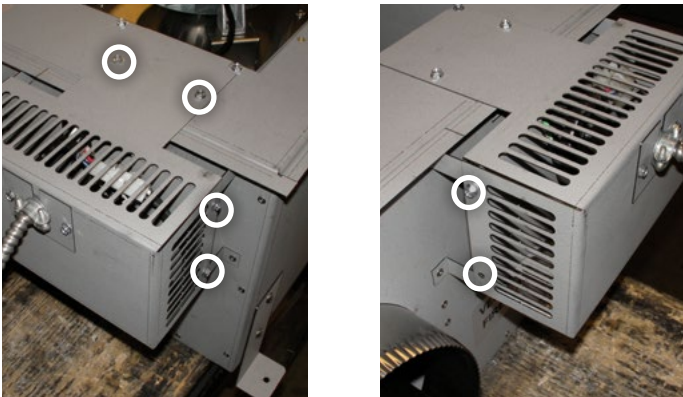


Figure 4.b

Step 3: Cut zap strap securing wires together in bundle. Cut off large bell connector connecting white fibre wire from power cable, black wire from blower and one black wire from capacitor. Cut as little as possible, there is not much space.

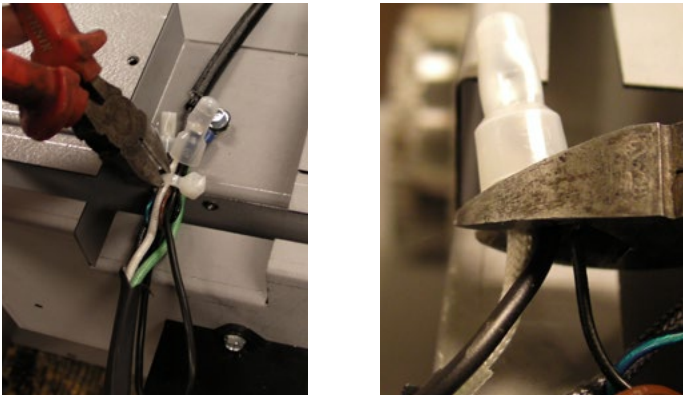


Figure 4.c

Step 4: Cut off small bell connector connecting brown wire from blower and the other black wire from capacitor. Unscrew old capacitor and discard. Secure new capacitor in its place.

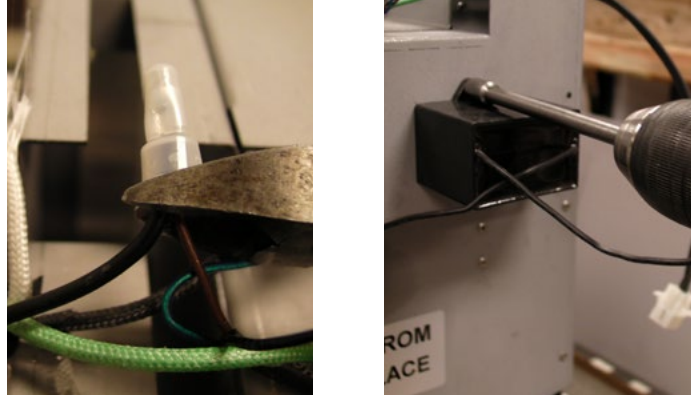


Figure 4.d

Step 5: Strip about 3/8" to 1/2" off all wire that was cut. Twist brown wire from blower together with the other black wire from capacitor. Using small bell connector supplied, crimp wires together.

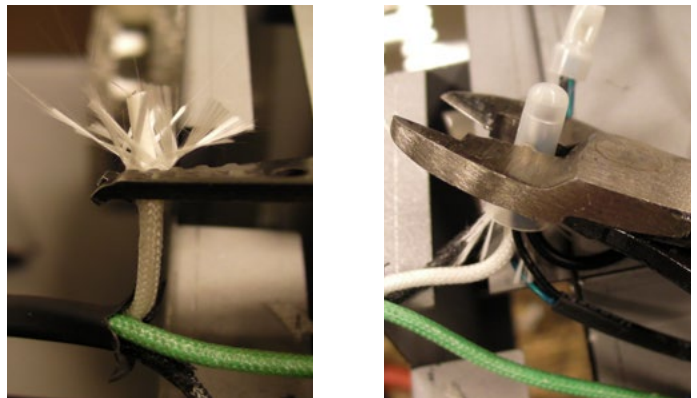


Figure 4.e

Step 6: Twist white fibre wire from power cord together with black wire from blower and one black wire from capacitor. Using large bell connector supplied, crimp wires together. secure wire bundles together.

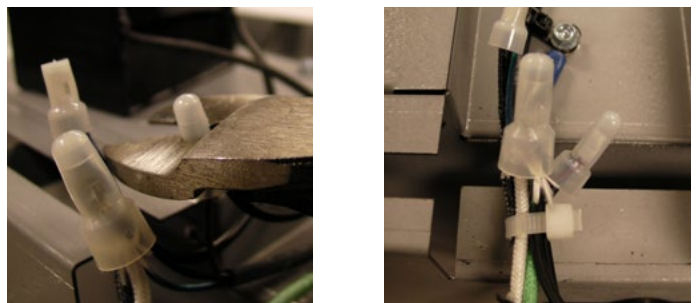


Figure 4.f

Step 7: Reinstall component cover. Reinstall blower cover.

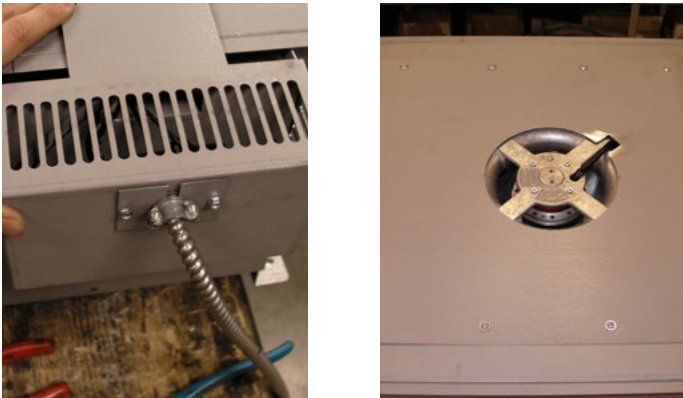


Figure 4.g

Step 2: Turn power back on and check blower rotation is counter clockwise.



Figure 4.h

Motor & Capacitor Replace - REC 1258

Step 1: Remove screws securing blower cover.

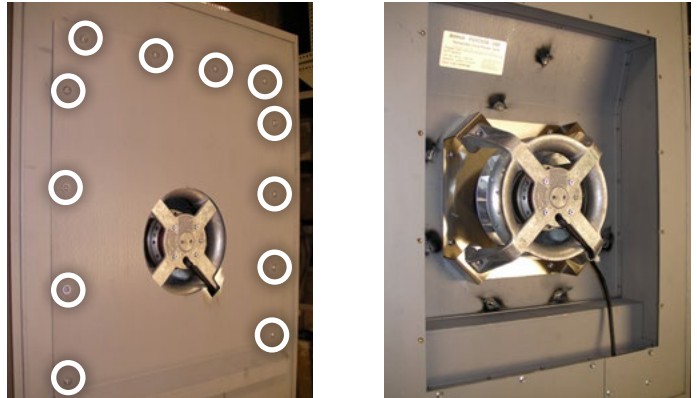


Figure 4.i

Step 2: Remove screws securing component cover.

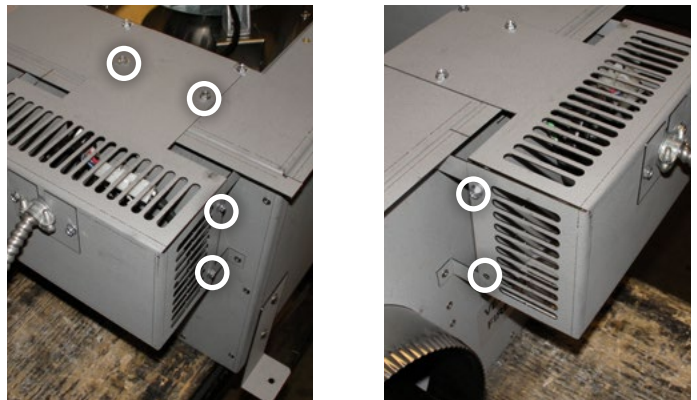


Figure 4.j

Step 3: Unplug capacitor / blower assembly from power vent power cable. Unscrew black zap strap anchor / ground wire.

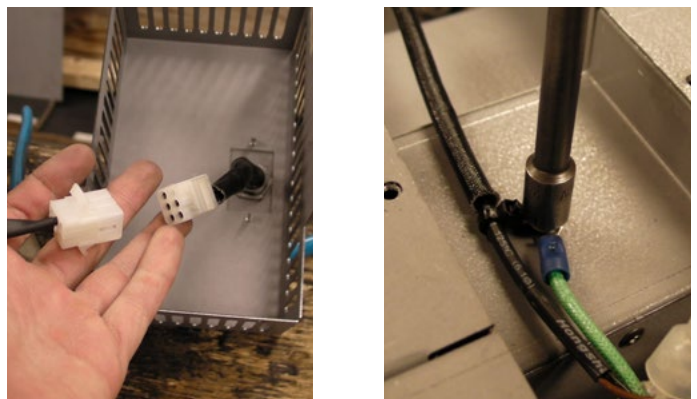


Figure 4.k

Step 4: Unscrew capacitor from mounting point. Unscrew blower from power vent. Remove capacitor / blower assembly and discard.



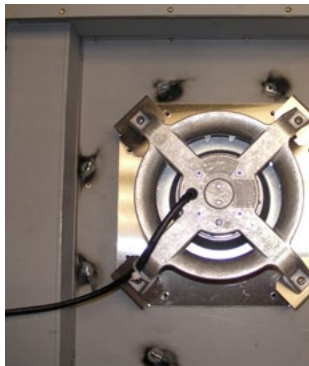
Figure 4.l



Step 5: Secure blower to Power Vent using supplied screws and star washers. Make sure wire is close to component mounting box.



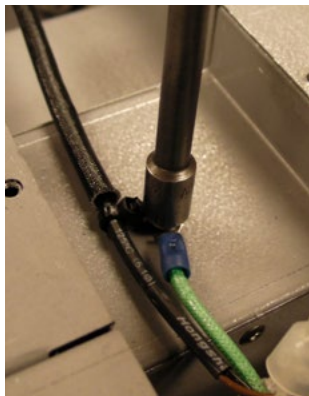
Figure 4.n



Step 6: Secure capacitor component mounting bracket. Secure wires and ground screw to Power Vent using supplied black zap strap anchor.



Figure 4.p



Step 7: Plug capacitor / blower assembly into Power Vent power cord. Reinstall component cover.



Figure 4.r

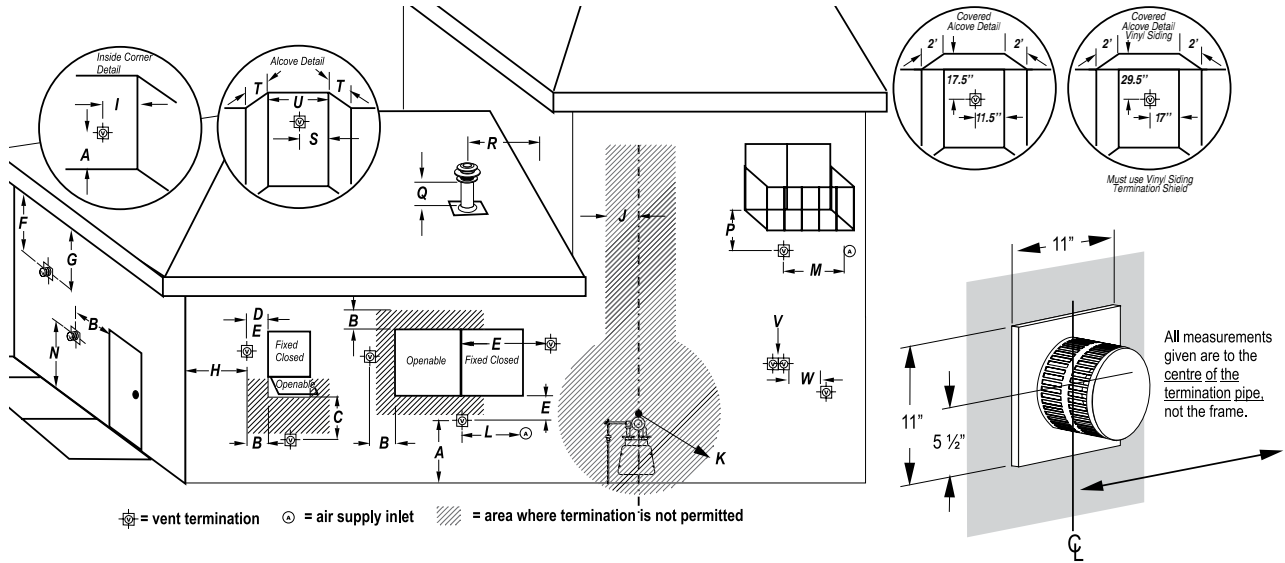


Step 8: Reinstall blower cover. Check blower rotation is counter clockwise.



Figure 4.t

Appendix A: Venting Terminations



Location		Canada*	USA**
A	clearance to the termination frame above grade, veranda, porch, deck, or balcony	12 inches	12 inches
B	clearance to top of doors or operable windows	12 inches	12 inches
C	clearance to sides or bottom of door or operable windows	12 inches	9 inches
D	clearance to permanently closed window when installed with approved glass penetration termination	0	0
E	clearance to permanently closed window Recommended to prevent condensation	16 inches	16 inches
F	clearance to ventilated soffit located within a horizontal distance to 24 inches from centerline of termination	22 inches	22 inches
G	clearance to unventilated soffit	30 inches to combustibles 16 inches to non-combustibles	30 inches to combustibles 16 inches to non-combustibles
H	clearance to outside corner	9 inches	9 inches
I	clearance to inside corner	12 inches	12 inches
J	clearance to each side of the vertical centerline of a metre or regulatory assembly to a maximum vertical distance of 15ft	3 feet	3 feet
K	clearance to service regulator vent outlet	3 feet	3 feet
L	clearance to non mechanical air supply inlet to the building or combustion air inlet to other appliance for appliance <= 100,000 BTU/H (30 kW)	12 inches	12 inches
M	clearance to forced air supply inlet	6 feet	3 feet above air inlet
N	clearance above paved sidewalk or paved driveway located on public property	7 feet	7 feet
P	clearance under veranda, porch, deck, or balcony	22 inches to combustibles 16 inches to non-combustibles	22 inches to combustibles 16 inches to non-combustibles
Q	clearance above roof	2 feet	2 feet
R	clearance to adjacent walls and neighboring buildings	2 feet	18 inches
S	clearance from corner in recessed location	12 inches	12 inches
T	Maximum depth of recessed location	4 feet	4 feet
U	Maximum width for back wall of recessed location	2 feet	2 feet
V	Horizontal clearance between two terminations that are level	0	0
W	Horizontal clearance (centre to centre) between two terminations that are not level	18 inches	18 inches

Note 1: For N a vent shall not terminate directly above the sidewalk or paved driveway which is located between two single family dwellings and serve both dwelling.

Note 2: For P only permitted if veranda, porch, deck, or balcony is fully open on a minimum of two sides beneath the floor

Note 3: For J, K, and as specified in CGA B149 installation code. Local codes or regulations may vary.

* Based on CGA B149.1 Natural Gas and Propane installation code. Local codes may vary, please check with local regulatory agency.

** Based on ANSI Z223.1/NFPA 54 National Fuel Gas Code. Local codes may vary, please check with local regulatory agency.

Appendix B: Warranty

MONTIGO RESIDENTIAL WARRANTY PROGRAM

Empire Comfort Systems, Inc. and/or Empire Comfort Systems Canada, Inc. (collectively referred to herein as "The Companies"), warrants the Montigo gas appliance (referred to herein as 'the appliance') to be free from defects in materials and workmanship at the time of manufacture. The gas appliance and related components are further subject to the terms and conditions set forth below.

This warranty covers the following Montigo product series: **Distinction, Divine & Divine Outdoor (H-Series), Illume (FID Inserts), Phenom (L/P/PL-Series), Exemplar (R/RP-Series), Mahana and DelRay**

Component	Coverage Period	Labor Coverage
Firebox, heat exchanger	15 years	1 year
Main burner	15 years	1 year
Gas control valve and related control components (pilot assembly, spark electrode flame sensors, thermopile)	1 year	1 year
Electrical components (internal blowers, ignition control module, wiring, switches, remote control systems, blower control module, accent bulbs)	1 year	1 year
Firebox media (logset, glass beads, river rocks)	1 year	1 year
Glass (thermal breakage)	1 year	1 year
Plated, painted finishes (including interior reflective glass) *	1 year	1 year
Refractory lining	1 year	1 year
Mesh/Glass safety barriers	1 year	1 year
Power vent termination	1 year	1 year
Montigo terminations*	10 years	1 year
Montigo venting (excluding termination)	15 years	1 year

* *Exterior painted surfaces exempt*

QUALIFICATIONS TO THE WARRANTY

This Warranty only covers gas appliances installed in the United States or Canada.

To receive the benefits of this warranty, the appliance must be purchased, installed and serviced annually by a dealer authorized by The Companies for the warranty to be valid.

The gas appliance must be installed by a licensed professional in accordance with The Companies' installation instructions and local building codes. The warranty on the appliance covers only components manufactured by The Companies. The use of components manufactured or supplied by other manufacturers and used in conjunction with the appliance could create serious safety hazards, may result in the denial of certification by recognized national safety agencies and could violate local building codes. Such use may untimely void this warranty. This warranty does not cover any damages occurring from the use of any components not manufactured or supplied by The Companies.

The appliance must be subjected to normal use. The appliance is designed to burn natural gas (NG) or liquefied petroleum (LP) only. Burning conventional fireplace fuels such as wood, coal or any other solid fuel will cause damage to the appliance, produce

excessive temperatures will result in a fire hazard and void all warranties. This warranty is transferable. The appliance must remain in its original place of installation to be valid.

If the components of the appliance covered by this warranty are found to be defective within the time frame stated (see The Companies investigation of claims), The Companies will, at its option, replace or repair defective components of the appliance manufactured by The Companies at no charge and will also pay for labor costs (in accordance with schedule) incurred in replacing or repairing components. If repair or replacement is not commercially practical, The Companies will, at its sole discretion, fully discharge all obligations under the warranty by refunding the verified dealer purchase price of the appliance, excluding the cost of labor unless the labor is covered by the terms of the warranty.

This warranty covers only parts and labor as provided above. In no case shall the companies be responsible for materials, components or construction, which are not manufactured or supplied by The Companies, or for the labor necessary to install, repair or remove such materials, components or construction. All replacement or repair components will be shipped F.O.B. from the nearest Company factory.

LIMITATION ON LIABILITY

It is agreed and understood that The Companies sole obligation, and purchaser's exclusive remedy under this warranty, under any other warranty, expressed or implied, or in contract, tort or otherwise, shall be limited to repair, replacement or refund as specified above. The opinion of The Companies with respect to these matters shall be final.

In no event shall The Companies be responsible for any incidental or consequential damages caused by (but not limited to) improper installation, installation by an unqualified or unauthorized installer, accident, lack of regular maintenance, user error, abuse, misuse, Acts of God, power surges, floods, natural disasters, force majeure, defects in its appliance whether such damage occurs or is discovered before or after replacement or repair, and whether or not such damage is caused by The Companies negligence. Some jurisdictions do not allow the exclusion or limitation of incidental or consequential damages, so the above limitation or exclusion may not apply to you. The duration of any implied warranty with respect to the appliance is limited to the duration of the foregoing warranty. Some jurisdictions do not allow limitations on how long an implied warranty lasts, so the above limitation or exclusion may not apply to you.

Appendix B: Warranty Continued

EXCLUSIONS TO WARRANTY

Corrosion or rust of any kind due to a lack of maintenance, inadequate combustion air or improper venting and corrosive chemicals/environments, expansion and contraction of metals or minor movements of components causing noise are not covered by this warranty.

Willful misconduct (i.e. use of the appliance with problems known to the purchaser and causing further damages), including unauthorized or self-performed 'fixing' or exploration of the appliance's internal workings will void the warranty.

Appliances on which the serial number has been altered, defaced, removed or made illegible will void the warranty.

Costs incurred for diagnosis, service work, shipping and handling of defective or replacement parts are not covered under this warranty.

The published warranties are not applicable for any equipment manufactured by The Companies that has been sold direct to the consumer via internet or auction websites. The Companies do not endorse, approve or certify any online sale of its products through auction websites, online retailers or any other method of online sales direct to consumers.

INVESTIGATION OF CLAIMS AGAINST WARRANTY

The Companies reserve the right to investigate any and all claims against this warranty and decide upon method of settlement.

The Companies are not responsible for work done without written consent of The Companies.

The Companies shall in no event be responsible for any warranty work done without first obtaining the Companies written consent.

The Companies employees and dealers have no authority to make any warranties to neither alter this warranty nor authorize any remedies in addition to or inconsistent with those stated within this warranty.

IF WARRANTY SERVICE IS NEEDED

To make a claim under this warranty, contact your installing dealer or contractor. The installing dealer is responsible for providing service and will contact the companies to initiate warranted parts replacements. In the event the installing dealer is unavailable, contact your nearest authorized Montigo dealer (www.Montigo.com) or contact Montigo direct at techsupport@montigo.com. Ensure you have your sales receipt and the model and serial number of your appliance.

DO NOT ATTEMPT TO DO ANY SERVICE WORK YOURSELF

If you cannot locate the installing dealer, or nearest dealer/distributor, you must notify The Companies in writing.

USA Offices

6955 Salashan Parkway
Ferndale WA, 98248
techsupport@montigo.com

Canadian Offices

27342 Gloucester Way
Langley, BC V4W 4A1
techsupport@montigo.com

The terms and conditions of this warranty may be altered or amended from time to time without prior notice.

WARRANTY PERIOD: Warranty coverage begins on the date of original purchase. In the case of new construction, warranty coverage begins on the date of first occupancy of the dwelling or six months after the sale of the product by an independent, authorized Company dealer/ distributor, whichever occurs earlier.

Appendix C: Amendment

(Gas Fireplace / Equipment sold in the State of Massachusetts)
5.08: Modifications to NFPA-54, Chapter 10

- (1) Revise NFPA-54 section 10.5.4.2 by adding a second exception as follows:

Existing chimneys shall be permitted to have their use continued when a gas conversion burner is installed, and shall be equipped with a manually reset device that will automatically shut off the gas to the burner in the event of a sustained back-draft.

- (2) Revise 10.8.3 by adding the following additional requirements:

- (a) For all side wall horizontally vented gas fueled equipment installed in every dwelling, building or structure used in whole or in part for residential purposes, including those owned or operated by the Commonwealth and where the side wall exhaust vent termination is less than seven (7) feet above finished grade in the area of the venting, including but not limited to decks and porches, the following requirements shall be satisfied:

1. **INSTALLATION OF CARBON MONOXIDE DETECTORS.** At the time of installation of the side wall horizontal vented gas fueled equipment, the installing plumber or gas fitter shall observe that a hard wired carbon monoxide detector with an alarm and battery back-up is installed on the floor level where the gas equipment is to be installed. In addition, the installing plumber or gas fitter shall observe that a battery operated or hard wired carbon monoxide detector with an alarm is installed on each additional level of the dwelling, building or structure served by the side wall horizontal vented gas fueled equipment. It shall be the responsibility of the property owner to secure the services of qualified licensed professionals for the installation of hard wired carbon monoxide detectors
 - a. In the event that the side wall horizontally vented gas fueled equipment is installed in a crawl space or an attic, the hard wired carbon monoxide detector with alarm and battery back-up may be installed on the next adjacent floor level.
 - b. In the event that the requirements of this subdivision can not be met at the time of completion of installation, the owner shall have a period of thirty (30) days to comply with the above requirements; provided, however, that during said thirty (30) day period, a battery operated carbon monoxide detector with an alarm shall be installed.
2. **APPROVED CARBON MONOXIDE DETECTORS.** Each carbon monoxide detector as required in accordance with the above provisions shall comply with NFPA 720 and be ANSI/UL 2042 listed and IAS certified.
3. **SIGNAGE.** A metal or plastic identification plate shall be permanently mounted to the exterior of the building at a minimum height of eight (8) feet above grade directly in line with the exhaust vent terminal for the horizontally vented gas fueled heating appliance or equipment. The sign shall read, in print size no less than one-half (1/2) inch in size, "GAS VENT DIRECTLY BELOW. KEEP CLEAR OF ALL OBSTRUCTIONS".

4. **INSPECTION.** The state or local gas inspector of the side wall horizontally vented gas fueled equipment shall not approve the installation unless, upon inspection, the inspector observes carbon monoxide detectors and signage installed in accordance with the provisions of 248 CMR 5.08(2)(a)1 through 4.

- (b) **EXEMPTIONS:** The following equipment is exempt from 248 CMR 5.08(2)(a)1 through 4:

1. The equipment listed in Chapter 10 entitled "Equipment Not Required To Be Vented" in the most current edition of NFPA 54 as adopted by the Board; and
 2. Product Approved side wall horizontally vented gas fueled equipment installed in a room or structure separate from the dwelling, building or structure used in whole or in part for residential purposes.
- (c) **MANUFACTURER REQUIREMENTS - GAS EQUIPMENT VENTING SYSTEM PROVIDED.** When the manufacturer of Product Approved side wall horizontally vented gas equipment provides a venting system design or venting system components with the equipment, the instructions provided by the manufacturer for installation of the equipment and the venting system shall include:
1. Detailed instructions for the installation of the venting system design or the venting system components; and
 2. A complete parts list for the venting system design or venting system.
- (d) **MANUFACTURER REQUIREMENTS - GAS EQUIPMENT VENTING SYSTEM NOT PROVIDED.** When the manufacturer of a Product Approved side wall horizontally vented gas fueled equipment does not provide the parts for venting the flue gases, but identifies "special venting systems", the following requirements shall be satisfied by the manufacturer:
1. The referenced "special venting system" instructions shall be included with the appliance or equipment installation instructions; and
 2. The "special venting systems" shall be Product Approved by the Board, and the instructions for that system shall include a parts list and detailed installation instructions.
- (e) A copy of all installation instructions for all Product Approved side wall horizontally vented gas fueled equipment, all venting instructions, all parts lists for venting instructions, and/or all venting design instructions shall remain with the appliance or equipment at the completion of the installation.
- (3) After NFPA-54 section 10.10.4.2 add a new section 10.10.4.3 as follows:
- When more than four gas appliances are to be vented through a common gas vent or common horizontal vent manifold, a plan of the proposed vent installation shall be submitted to the Inspector and the serving gas supplier for review and approval.

Extraction from: Massachusetts Rules and Regulations

5.00: Amendments To 2002 Edition Of ANSI Z223.1-NFPA-54

PVHIN58-300-FS **TMHIN58-40**

Inline Power Vent
Louvered Termination