

# DISCONTINUED ITEM

THIS ITEM HAS BEEN DISCONTINUED AND IS NO LONGER IN PRODUCTION. PLEASE CONTACT YOUR LOCAL MONTIGO DEALER REGARDING MAINTENANCE AND SPARE PARTS AVAILABILITY.



MODEL: RXM1410A

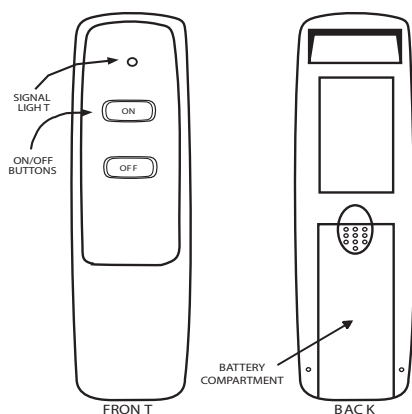
## battery for R-Series Fireplaces OPERATION INSTRUCTIONS

IF YOU CANNOT READ OR UNDERSTAND THESE INSTALLATION INSTRUCTIONS DO NOT ATTEMPT TO INSTALL OR OPERATE.

### INTRODUCTION

This remote control system can be used for the Montigo R-Series fireplaces. The system can be operated manually from the receiver using the slider switch.

### TRANSMITTER



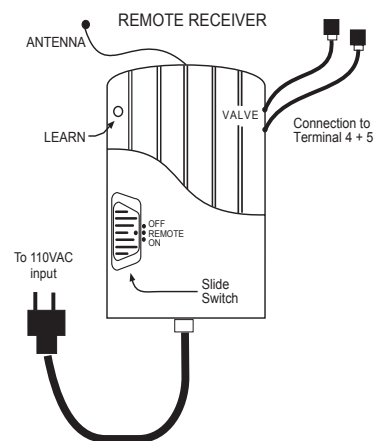
The transmitter operates on a 12V (A23) battery that is included. Install the 12V battery supplied with the unit into the battery compartment. It is recommended that ALKALINE batteries always be used for this product. **Be sure the batteries are installed with the (+) and (-) ends facing the correct direction.**

The LED signal light should illuminate when either the on or off button is pressed. If the signal light does not illuminate, check the position of the transmitter's battery, and if the battery is fully charged.

### RECEIVER

When plugged into a standard 110-120 VAC receptacle, the remote receiver operates on commands from the transmitter or from the slide switch on the face of the receiver

- **ON:** will manually turn on the fireplace.
- **REMOTE:** will allow use of handheld transmitter. If the system does not respond to the transmitter on initial use, check the battery positions in the remote. If that does not work, see the SECURITY CODE section.
- **OFF:** will disable the remote receiver.
- **It is suggested that the slide switch be placed in the OFF position if you will be away from your home for an extended period of time.**



### INSTALLATION

Protection from extreme heat is very important. The remote receiver should be kept away from temperatures exceeding 130°F. Extreme heat can cause damage, which is not covered under warranty.

- Before installation, make sure you turn the slide switch to **OFF**. After installation, make sure you turn the slide switch to **REMOTE**.
- The remote receiver can be placed close to the electrical control box.

## **WARNING**

This remote control system must be installed exactly as outlined in these instructions. Read all instructions completely before attempting installation. Follow instructions carefully during installation. Any modifications of this remote control or any of its components will void the warranty and may pose a fire hazard.

## **WIRING INSTRUCTIONS**

A qualified electrician should install the remote control system.

1. Disconnect and remove the wall switch wire from terminals 3 and 4 of the control box. [Figure 1]
2. Feed the red wires from the remote receiver through the control box side. [Figure 2]
3. Connect the Red wires to Terminals 3 and 4 of the control box. [Figure 1]
4. Plug the power cord from the receiver into the 110VA plug on the side of the control box. [Figure 2]
5. Attach the receiver to the control box cover or to the wall using the velcro strips attached. [Figure 3]

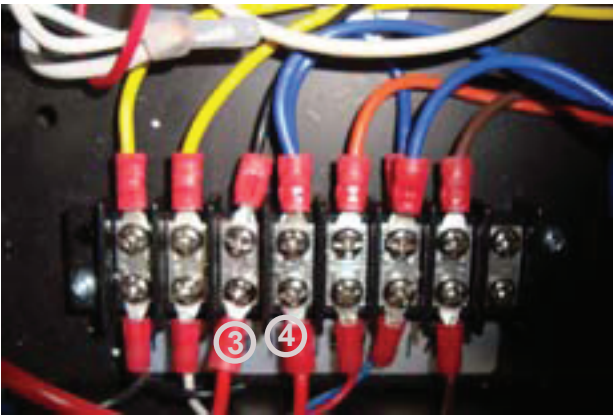


Figure 1. Connection to Fireplace Control Box



Figure 2. Plug to receptacle



Figure 3. Installing Receiver

## SYSTEM CHECK

- Slide the 3-position button on the remote receiver to the **ON** position. The fireplace will go through the start cycle and hot surface igniter will glow after pre purge time and ignite the pilot. NOTE: If the remote does not communicate with the receiver, go to the section: Learning Transmitter to Receiver.  
After the pilot flame is lit, the main gas valve should open and the main gas flame should ignite.
- Slide the button to **OFF**. The main gas flame and pilot flame should both extinguish.  
The power vent will turn off after 3 minutes post purge.
- Slide the button to **REMOTE**, then press the ON button on the transmitter to change the system to on.

## LEARNING TRANSMITTER TO RECEIVER

This transmitter has one of 65,536 unique security codes. It may be necessary to program the remote receiver to “learn” the security code of the transmitter upon initial use, if batteries are replaced, or if using a replacement transmitter.

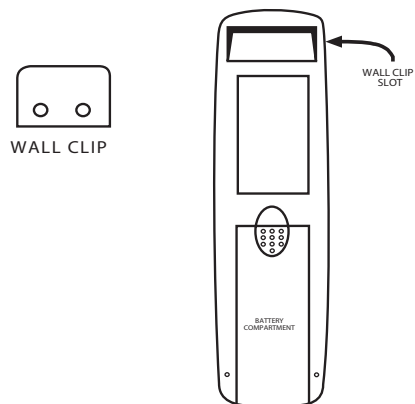
**NOTE:** This receiver can hold up to 3 transmitter codes. This is for the times when a second hand held transmitter or a wall transmitter is required.

- Make sure the receiver’s slide switch is in the **REMOTE** position.
- Press and release the **LEARN** button on the receiver.
- When you hear the “Beep”, press and hold the **ON** or **OFF** button for about 2 seconds on the transmitter.
- You will then hear a series of rapid beeps that indicate that your new transmitter has been accepted by the receiver.
- If you press the **LEARN** button on the receiver and you hear no beeps, the receiver is unable to retain any more transmitter codes (make sure the transmitter battery is properly installed and fully charged).
- To delete all of the transmitter codes on your receiver, press and hold the **LEARN** button for 10 seconds. Then you will hear a series of three long beeps, indicating that the receiver’s memory has been cleared.

## TRANSMITTER WALL CLIP

The transmitter can be hung on a wall using the clip provided.

- Wood - Drill 1/8” pilot holes and install with screws provided.
- Plaster/Wallboard - Drill 1/4” holes, then install with the screws provided.



## BATTERY LIFE

Life expectancy of the alkaline batteries in the transmitter should be at least 12 months.

Check and replace all batteries:

- Annually.
- When operating range becomes reduced.
- When transmissions are not received by the remote receiver.
- If the hand held transmitter battery measures less than 9.0 volts.

## TROUBLE SHOOTING

If you encounter problems with your fireplace system, the problem may be with the fireplace itself or it could be with the remote. Review the fireplace manual to make sure all connections are made properly. Then check the operation of this remote in the following manner:

- Make sure there is a 110-volt power source to the receiver.
- Check battery in transmitter to make sure contacts are touching (+) and (-) ends of battery. Bend metal contacts in for a tighter fit.
- Check if the transmitter battery is fully charged.
- Be sure that the transmitter and receiver are within 20’ - 25’ operating range.
- If the receiver is installed in a tight enclosed metal surrounding, the operating range will be shortened.
- Make sure the hand-held transmitter and remote receiver are communicating properly (see SECURITY CODES section).

### **FCC REQUIREMENTS**

**NOTE: THE MANUFACTURER IS NOT RESPONSIBLE FOR ANY RADIO OR TV INTERFERENCE CAUSED BY UNAUTHORIZED MODIFICATIONS TO THE EQUIPMENT. SUCH MODIFICATIONS COULD VOID THE USER’S AUTHORITY TO OPERATE THE EQUIPMENT**