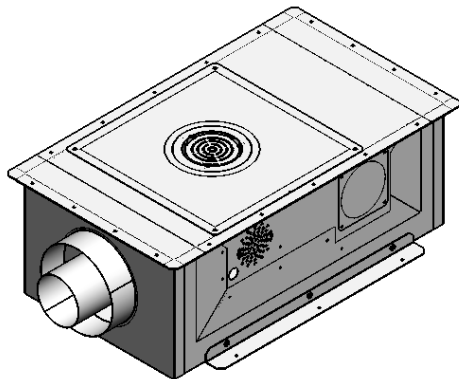


Installation & Maintenance Manual

DISCONTINUED ITEM

THIS ITEM HAS BEEN DISCONTINUED AND IS
NO LONGER IN PRODUCTION.
PLEASE CONTACT YOUR LOCAL MONTIGO DEALER
REGARDING MAINTENANCE AND SPARE PARTS AVAILABILITY.



LDVPV47

LDVPV
Linear Power
Vent System

DANGER

Read and understand this manual. Improper installation, adjustment, alteration, service or maintenance can cause serious injury, property damage or even death. For assistance or additional information consult a qualified installer, service agency or the gas supplier.

CAUTION

Glass doors on gas fireplaces are **extremely hot** while the fireplace is on and remain hot even after the fireplace has been turned off. Safety screens are available and can reduce the risks of severe burns. Please keep children away from the fireplace at all times.

WARNING

Do not store or use gasoline or any other flammable vapors and liquids in the vicinity of this or any other gas burning appliance. A fire or explosion may occur causing serious injury, property damage or even death.

NOTICE





Installer: Leave this manual with the appliance. Do not remove.
Consumer: Retain this manual for maintenance and future reference. Do not Discard.

WARNING

Some materials used in the manufacturing process of this product can expose you to Benzene which is known in the State of California to cause cancer and birth defects or other reproductive harm. For more information go to www.P65warnings.ca.gov

DANGER

IF YOU SMELL GAS

-  Do not try to light any appliance.
-  Do not touch any electrical switch; do not use any phone in your building.
-  Immediately call your gas supplier from a neighbor's phone. Follow the gas supplier's instructions.
-  If you cannot reach your gas supplier, call the fire department.



Safety Alert Key

 DANGER	 WARNING
<p>Indicates a hazardous situation which, if not avoided, WILL result in death or serious injury or property damage.</p>	<p>Indicates a hazardous situation which, if not avoided, COULD result in death or serious injury or property damage.</p>
 CAUTION	NOTICE
<p>Indicates a hazardous situation which, if not avoided, WILL result in minor or moderate injury.</p>	<p>Address practices that are important, but not related to personal injury</p>

Table of Contents

- Safety Alert Key** 2
- Introduction** 3
 - Before you Start 3
- Section 1: Installation** 4 - 9
 - Unit Dimensions 4
 - Installation of Pipe Diluter 5
 - Installation of Pipe Reducer & Diluter 5
 - Flush Vent Option 6
 - Installation for Horizontal Venting 7
 - Installation for Horizontal Downward Vent 8
 - Installing the Vertical Linear Power Vent 8
 - Installing the Horizontal Linear Power Vent 8
 - Mounting of Linear Power Vent 9
 - Wiring Installation 9
 - Wiring Schematic 10
 - Parts List 11
- Appendix**
 - A. Termination Locations 12
 - B. Warranty 13
 - C. State of Massachusetts 14

NOTICE

You must read and understand this manual prior to installation, operation or troubleshooting this appliance. Please retain this owner's manual for future reference and maintenance.

Introduction

Selecting and Installing the Fireplace

The Linear Power Vent System must only be used with a Montigo Direct Vent Fireplace. When selecting a gas fireplace for use with the Linear Power Vent System, take into consideration the various requirements and limitations in the **venting installation section** of the Model's manual:

Models Must Be Equipped with Electronic Ignition (HSI/IPI)

Only models equipped with an electronic ignition system may be installed with the Linear Power Vent System. This system allows for greater flexibility on venting requirements. For example downward vertical vent runs are possible with an HSI/IPI system, as outlined in the **Venting Section**.

All fireplaces with 5"/8" venting must be reduced to 4"/7" venting in order to be used with the Linear Power Vent System.

General Information

This installation guide covers installation of the Linear Power Vent System only. This system is designed to allow installation of gas fireplaces that cannot be done with a standard Direct Vent gas fireplace installation.

Specifications and instructions pertaining to your chosen fireplace must be followed. Please read this Installation Operation and Maintenance Instructions carefully before operating this equipment.

Standard Series (4"/7" dia.) Termination System:

LDVPV47 - Linear Power Vent System

Pre/Post Purge Control Box

RHSIT05 -Control module, provides pre/post purge. (HSI System)

ECB-007 Post Purge control box (IPI System)

Power Cord Harnesses:

LPVH10 -10 foot power cord and harness

LPVH20 -20 foot power cord and harness

LPVH30 -30 foot power cord and harness

LPVH40 -40 foot power cord and harness

LPVH50 -50 foot power cord and harness

LPVH60 -60 foot power cord and harness

LPVH70 -70 foot power cord and harness

LPVH80 -80 foot power cord and harness

CAUTION

Ensure perforated air holes in the new pipe adapter / restrictor are not covered when installing new pipe connection.

Before You Begin

- Minimum clearances of 1" from vent to all combustible materials must be maintained.
- The LDVPV must only be installed with Montigo venting components. The LDVPV may be used with any of the available Montigo terminations.
- **In order to maintain the power vent system integrity all 4" and 7" venting connections must be fastened with three self tapping screws.**
- Installation of the LDVPV must comply with this manual, and be completed by a qualified professional.
- Plan the layout of the installation's venting run before starting the installation.
- The MAXIMUM total allowable length; Refer to Linear Power Vent Installation Section, Page 4-6.
- Downward venting is allowable. Please refer to Page 5 for a table and illustrations regarding the limitations of this type of installation.
- Minimum length of straight pipe between the Fireplace and the Power Vent is: 2 feet
- Access / Service Panel, must maintain 1" clearance. Minimum 30% free air must be supplied to the motor.
- **Disconnect the power supply when installing and/or servicing the fireplace or the power vent system.**

CAUTION

When cold air enters warm building interiors, primarily at the air intake end, condensation may occur on the exterior of the flex pipe. To limit condensation, install insulation over the last 20 feet of flex pipe. Sloping the last 20 - 0 feet of flex pipe downward to the exterior of the building may also aid in eliminating condensation. Ensure the termination is securely fastened and is sealed to the flex pipe. Fasten the termination to building exterior with water tight sealant and appropriate fasteners.

CAUTION

Due to high operating temperatures, this appliance should be located out of traffic & away from furniture and draperies. Children and adults should be alerted to the hazards of the high surface temperature, which could cause burns or clothing ignition. Young children should be carefully supervised when they are in the same room as the appliance. Clothing or other flammable materials should not be placed on or near the appliance.



Installation

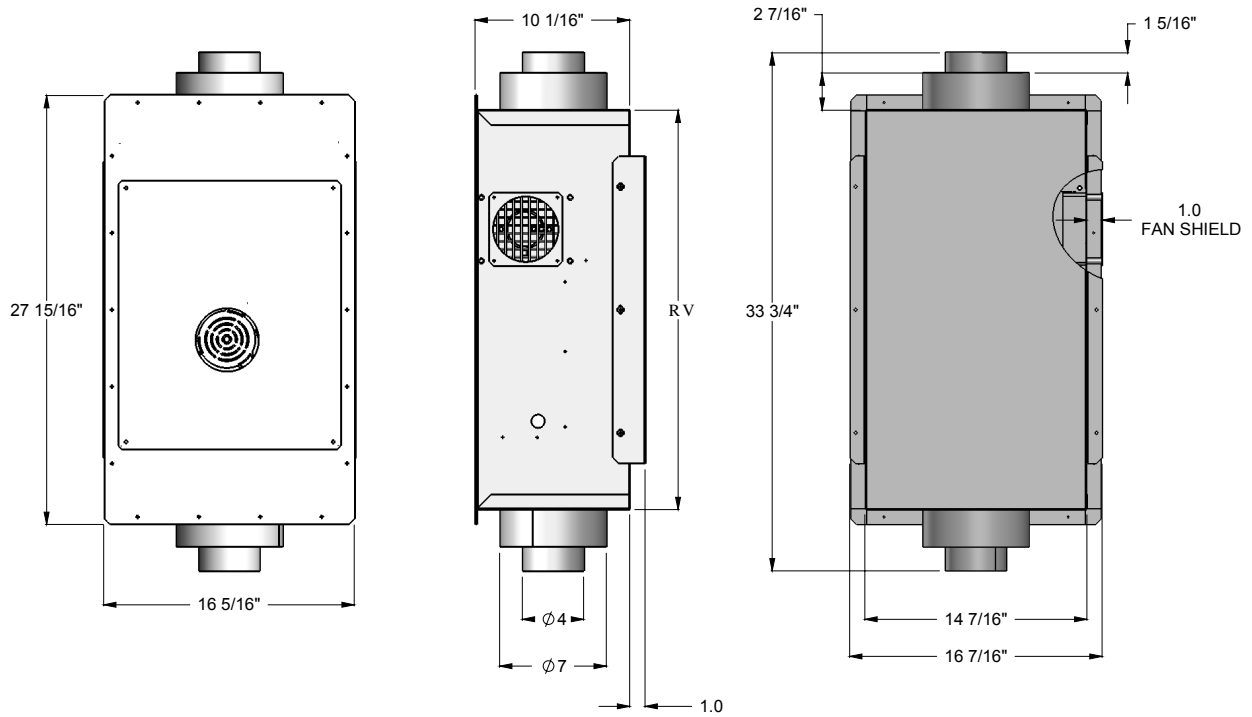


Figure 1. LDVPV47 Linear Power Vent dimensions.

Installation



Section:

CAUTION

Ensure perforated air holes in the new pipe adapter / diluter are not covered when installing the new pipe connection.

Installation of Pipe Diluter

The Installation of the LDV Air Circulator Pipe Reducer on your fireplace: Model No's. **that use 4" / 7" Vent**

1. Install the Pipe Diluter as shown below.

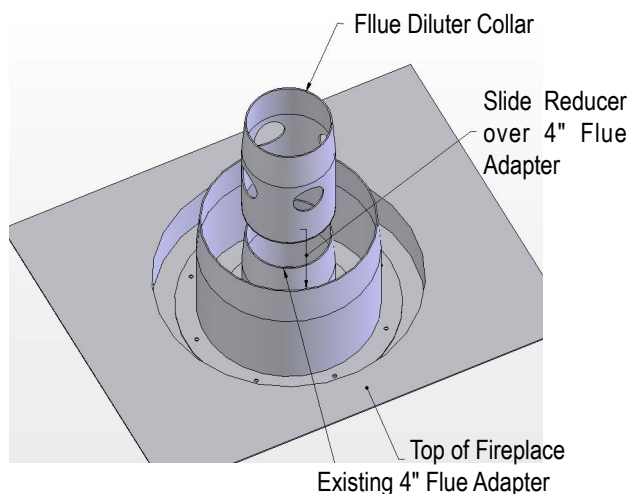


Figure 2a. Installation of 4" / 7" Flue Reducer.

See page 11 for detailed part numbers.

Installation of Pipe Reducer & Diluter

The Installation of the LDV Air Circulator Pipe Reducer on your fireplace: Model No's. **that use 5" / 8" Vent**

1. Install the Pipe Reducer & Diluter as shown below.

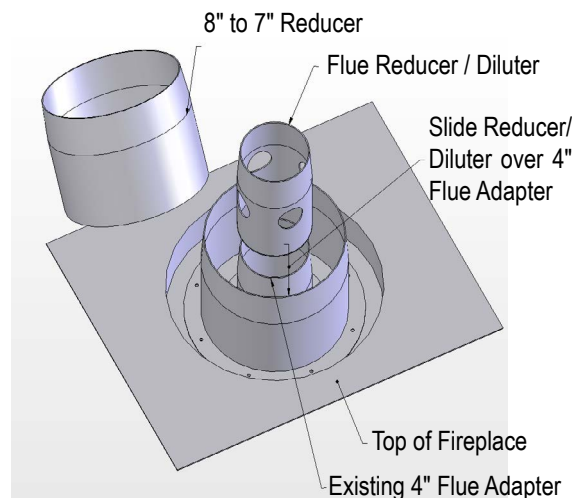


Figure 2b. Installation of 5"/8" Flue Reducer.

See page 11 for detailed part numbers.

Venting Installation

The Internal Power Vent must be installed with a gas fireplace equipped with an electronic ignition system. When installing the venting, the installation must adhere to the **Venting Installation Section** in the fireplace's Installation Operation and Maintenance Instructions, as well as the following guidelines:

- Ensure that the planned termination location is acceptable as shown in *Appendix A*.
- Minimum of 2 feet of straight pipe before the power vent.



Installation

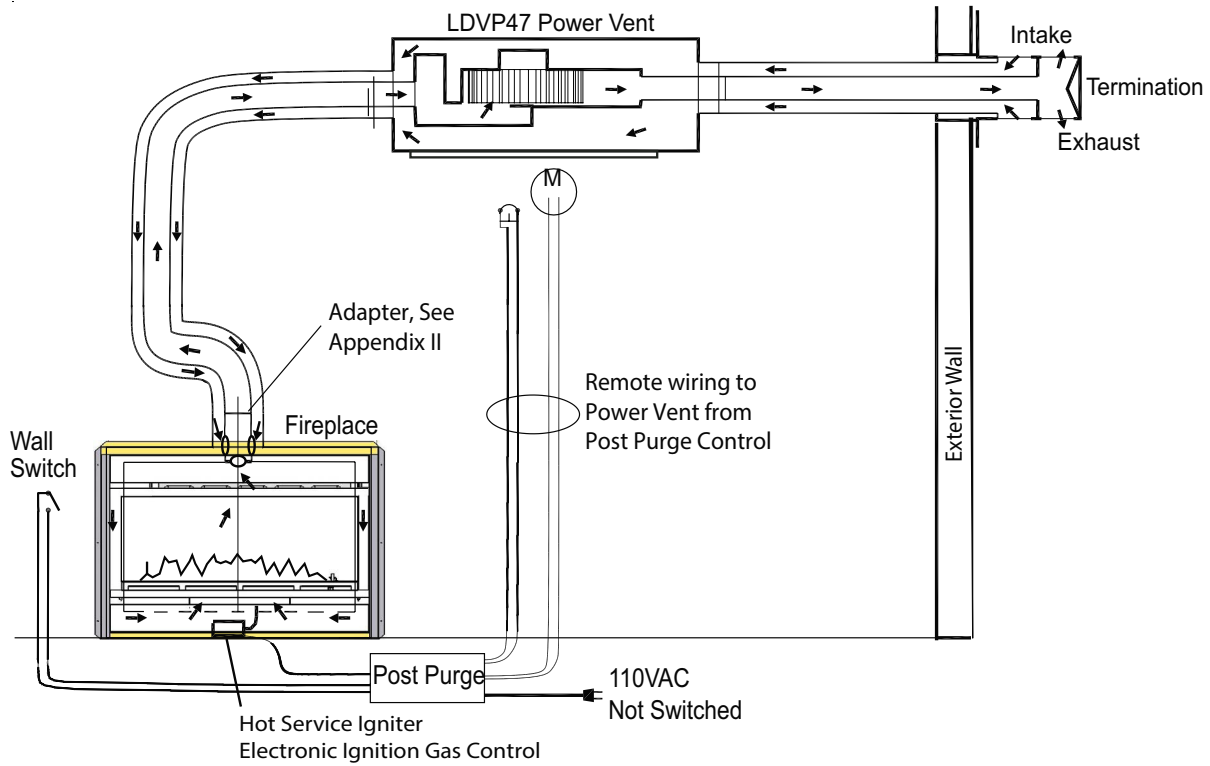


Figure 2. Schematic for the Linear Power Venter

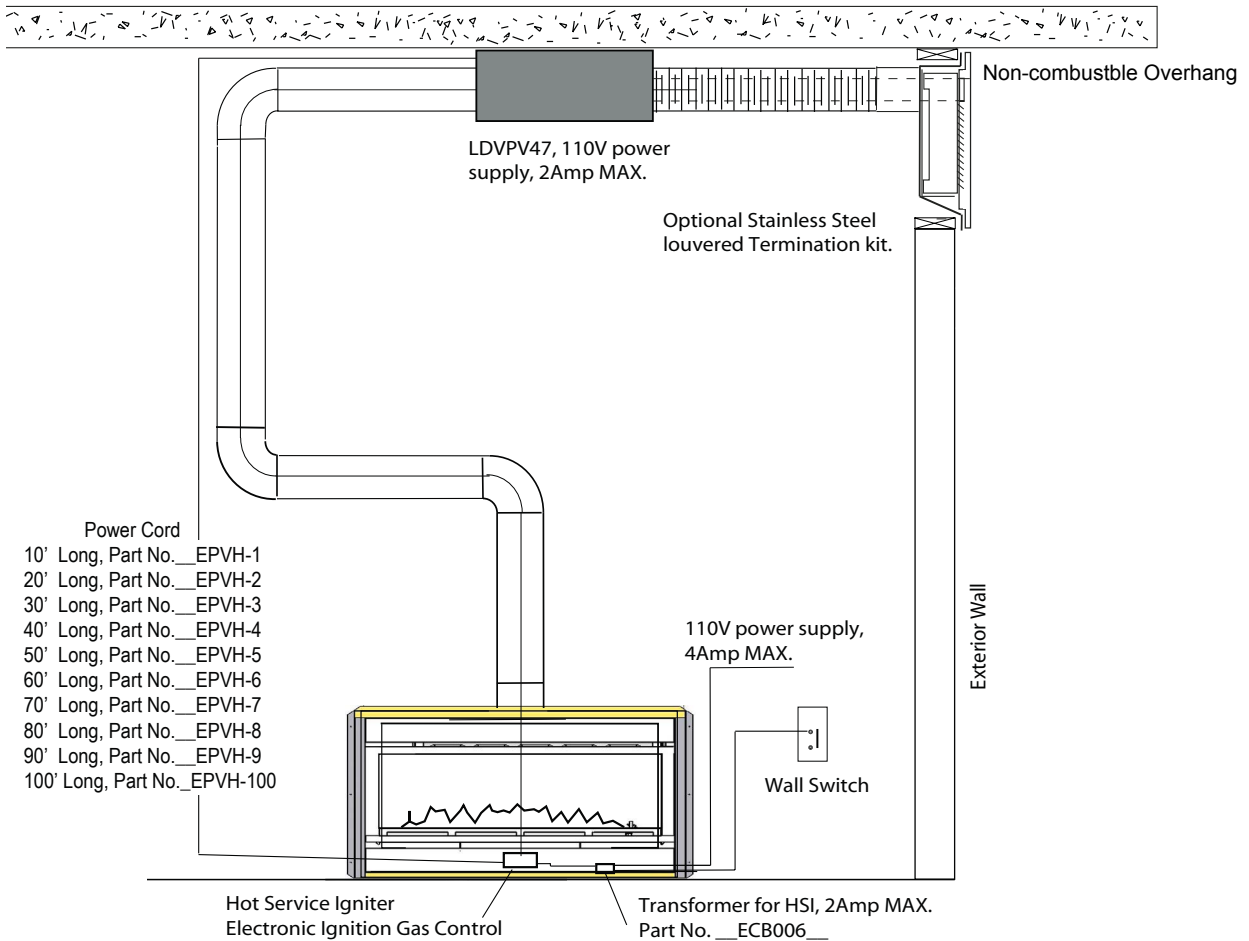


Figure 3. Flush vent Option for the Linear Power Venter

Installation



Section:

WARNING

Montigo is not responsible for any water damage that may occur from installing equipment other than what is specified in this document.

Linear Power Vent - Horizontal Vent

Multi-elbow installations are possible up to a maximum one-hundred feet (100'-0"), with three (3) 90° elbows. Minimum vent run from Fireplace to Power Vent must be two feet, (2'-0"). Maximum allowable vent run must be reduced by Ten feet (10'-0") for every 90° elbow added. With a snorkel Termination, reduce the total vent run by an additional twenty feet (20'-0"). Figure's 3a and 3b.

Example A. Vertical Mounting with horizontal Vent Run

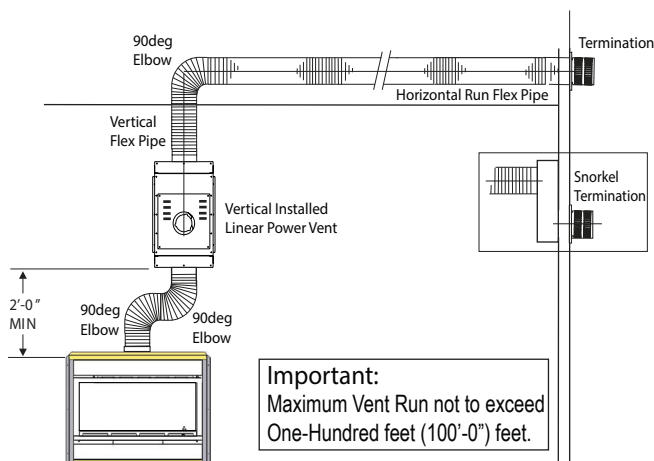


Figure 3a. Vertical Mounting for the Linear Power Venter

Example B. Horizontal Mounting with horizontal Vent Run

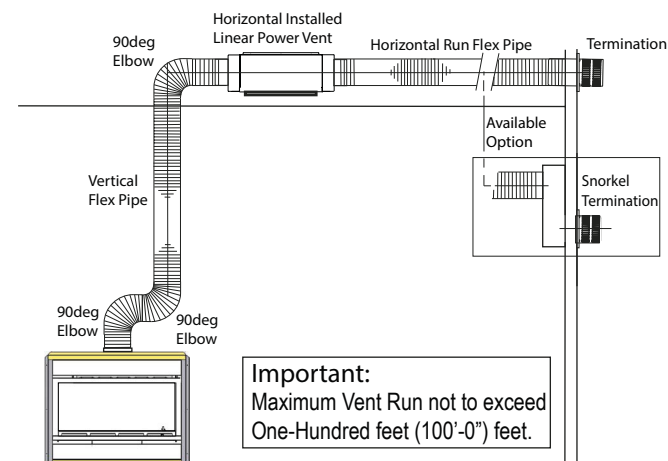


Figure 3b. Horizontal Vent for the Linear Power Vent Termination Snorkel

Linear Power Vent - Vertical Vent

Multi-elbow installations are possible up to a maximum one-hundred thirty feet (130'-0"), with three (3) 90° elbows. Minimum vent run from Fireplace to Power Vent must be two feet, (2'-0"). Maximum allowable vent run must be reduced by Ten feet (10'-0") for every 90° elbow added. Figure's 4a and 4b.

Example A. Vertical Mounting with Vertical Vent Run

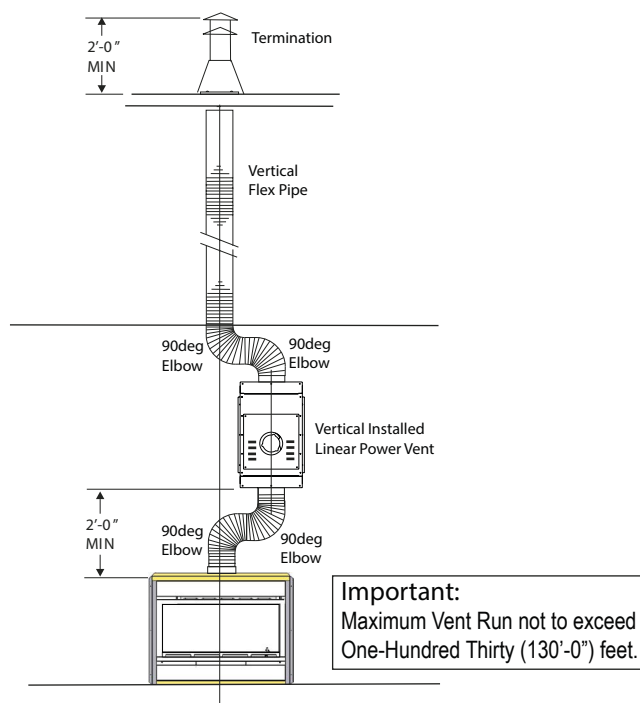


Figure 4a. Vertical Vent for the Linear Power Venter

Example B. Vertical Mounting with Vertical Vent Run

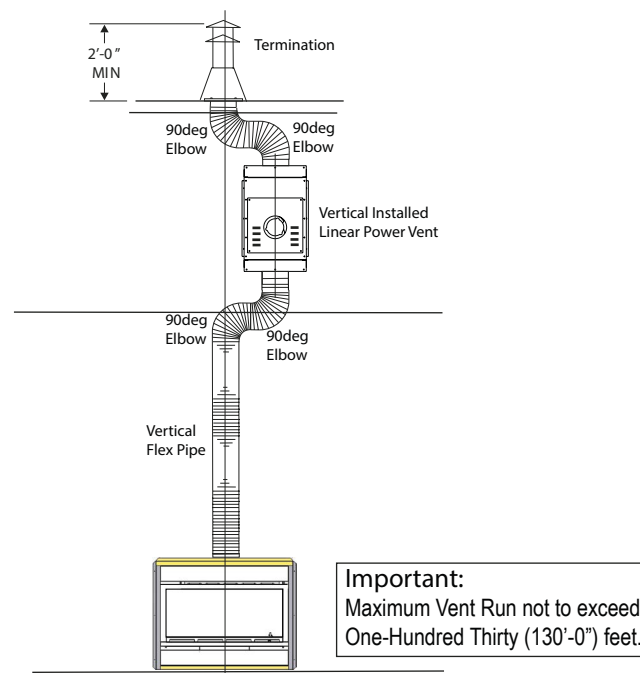


Figure 4b. Vertical Linear Power Vent with Vertical Vent Run.



Installation

Linear Power Vent - Horizontal / Downward Vent

Multi-elbow installations are possible up to a maximum eighty feet (80'-0"), with three (3) 90° elbows. Minimum vent run from Fireplace to Power Vent must be two feet, (2'-0"). Maximum allowable vent run must be reduced by Ten feet (10'-0") for every Additional elbow added. Deduct ten feet (10'-0") of vent length for every Additional one foot (1'-0") of vent run traveling in a downward direction.

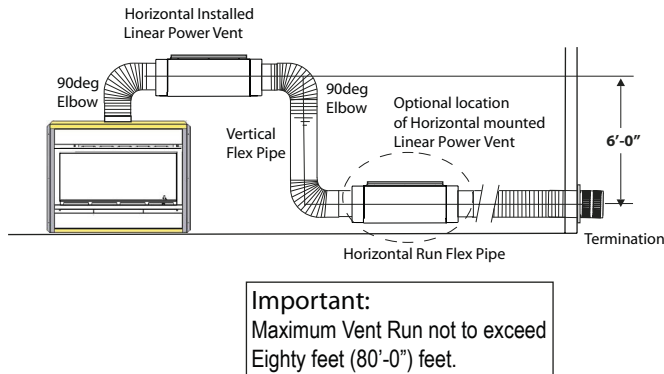


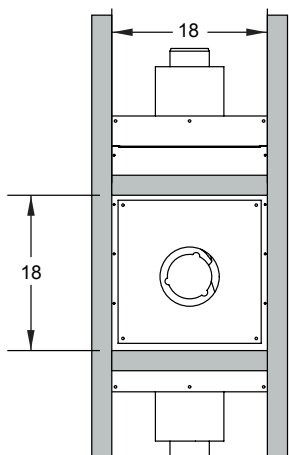
Figure 5a. Horizontal Linear Power Vent with Horizontal Vent Run. (Optional installation location shown).

Selecting A Termination Location

Please consult Appendix I, to ensure that the location of the vent run termination is within the guidelines.

Installing the Vertical Linear Power Vent

1. The linear power vent can be installed to existing stud construction or directly to cement wall or roof. The LDVPV must maintain 1" clearances to combustibles. The required service access panel must be framed at 18" X 18". To enclose the service access panel, (at less than 1") a minimum 30% free air must be supplied at all times.
2. Plug the power chord into the available slot in the linear power vent.
3. Secure all venting joints with at least three self-tapping screws.

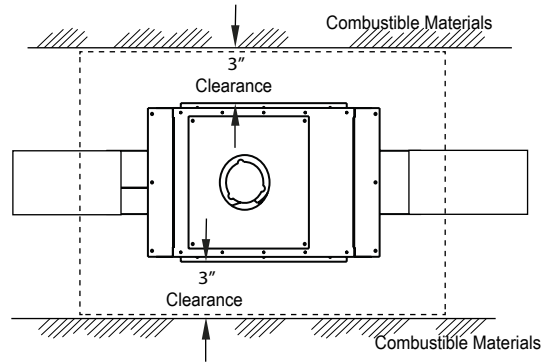


Note:
The required service access panel must be framed at 18" X 18". To enclose the service access panel, (at less than 1") a minimum 30% free air must be supplied at all times.

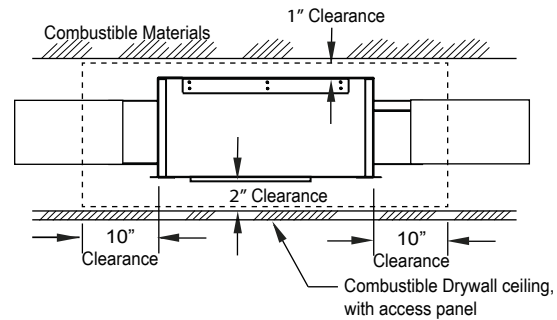
Figure 6. LDVPV47 Linear Power Vent, Vertical framing dimensions.

Installing the Horizontal Linear Power Vent

1. The linear power vent can be installed to existing stud construction or directly to cement wall or roof. The LDVPV must maintain the clearance to combustibles shown in **Figure 4a**. The required service access panel must be framed at 18" X 18". To enclose the service access panel, (at less than 1") a minimum 30% free air must be supplied at all times.
2. Plug the power chord into the available slot in the linear power vent.
3. Secure all venting joints with at least three self-tapping screws.



Top View



Side View

Figure 6a. LDVPV47 Linear Power Vent, Horizontal framing dimensions.

Installation



Section:

Mounting of Linear Power Vent for specific Model Fireplaces

L52-DF, and L52-DF-ST Gas fireplace models.

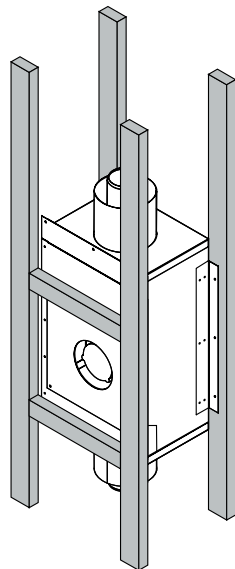


Figure 7. LDVPV47 Linear Power Vent Framing in steel studs.

4'-0" Clearance / void must be maintained at both ends of Power vent unit, thru to exterior termination. This clearance does not include wire conduit, pipe or other necessary building component. It does however include fibre insulation, and/or other heat retaining materials.

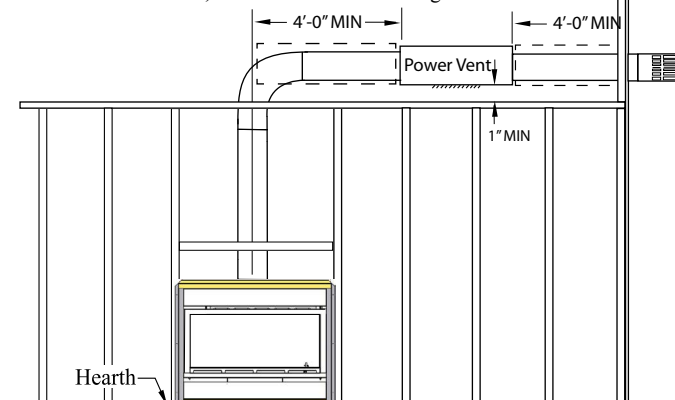
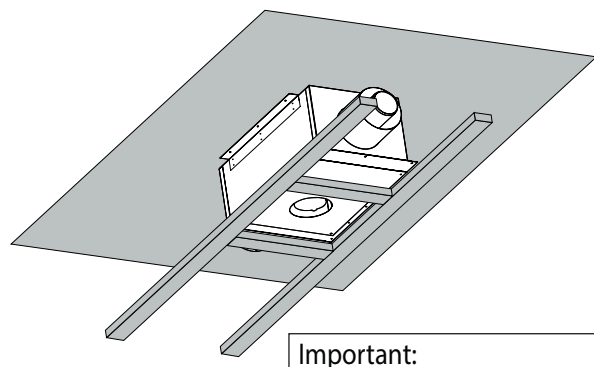


Figure 8. L52-DF and L52-DF-ST vent clearances.



Important:
 0" Clearance is required on mounting surface if LDVPV is Listed under 28,000Btu. If over 28,000Btu 1" must be maintained or 30% free air space surrounding LDVPV.

Figure 7a. LDVPV47 Linear Power Vent Framing to cement roof.

Wiring Installation

Connect the wiring to the linear power vent as outlined in the previous section, and connect the wiring to the fireplace as outlined in the schematic below. Ensure that the proper clearances are maintained for the wiring and conduit.

- When installing the wiring it must never run above the vent run and it must be at least 1" clear of all venting.

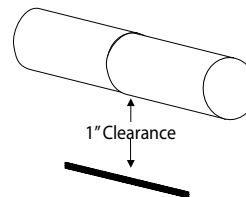


Figure 9. Conduit and Wiring Clearances.



Installation

Wiring Installation

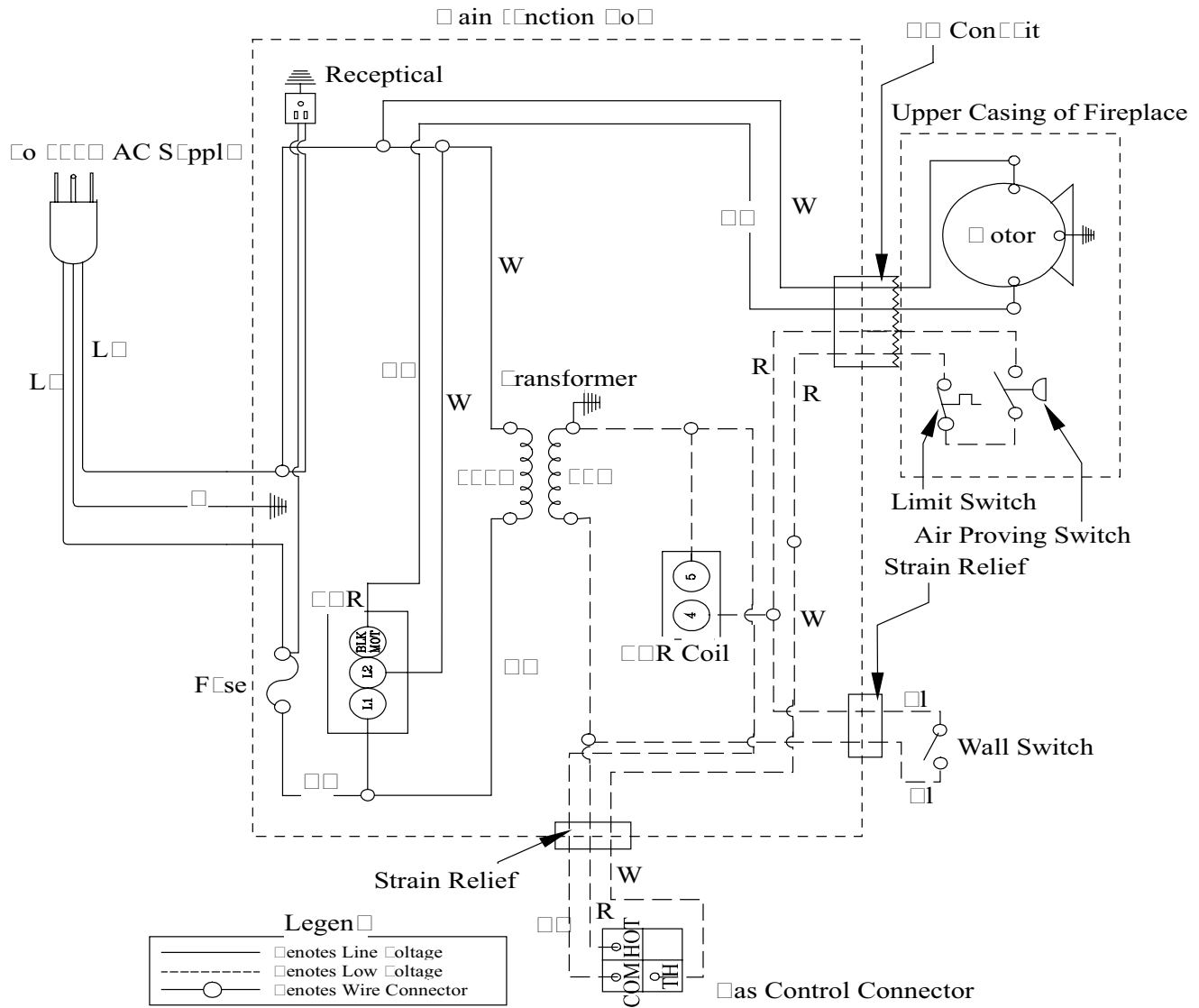


Figure 10. Wiring schematic for the Post Purge Control Module.

Installation



Section:

Wiring Installation

Connect the wiring to the linear power vent as outlined in the previous section, and connect the wiring to the fireplace as outlined in the schematic below. Ensure that the proper clearances are maintained for the wiring.

- When installing the wiring it must never run above the vent run and it must be at least 1" clear of all venting.

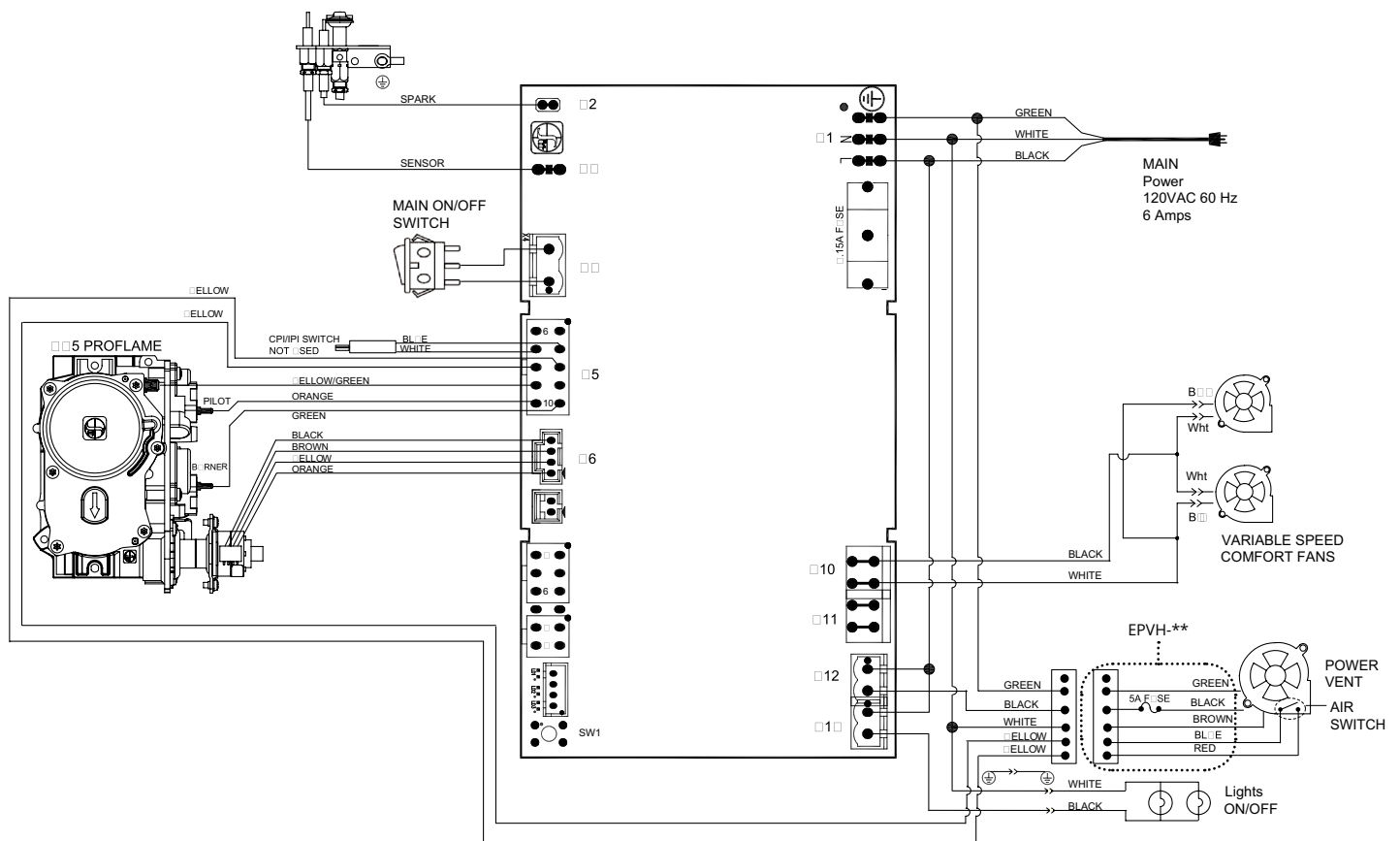
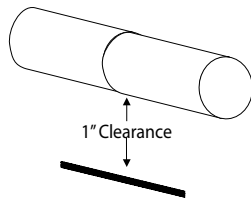


Figure 8. Wiring schematic for Distinction full load, P38,P42 and P52 with power vent. (ECA045PC)



Installation

Wiring Installation

Connect the wiring to the linear power vent as outlined in the previous section, and connect the wiring to the fireplace as outlined in the schematic below. Ensure that the proper clearances are maintained for the wiring.

- When installing the wiring it must never run above the vent run and it must be at least 1" clear of all venting.

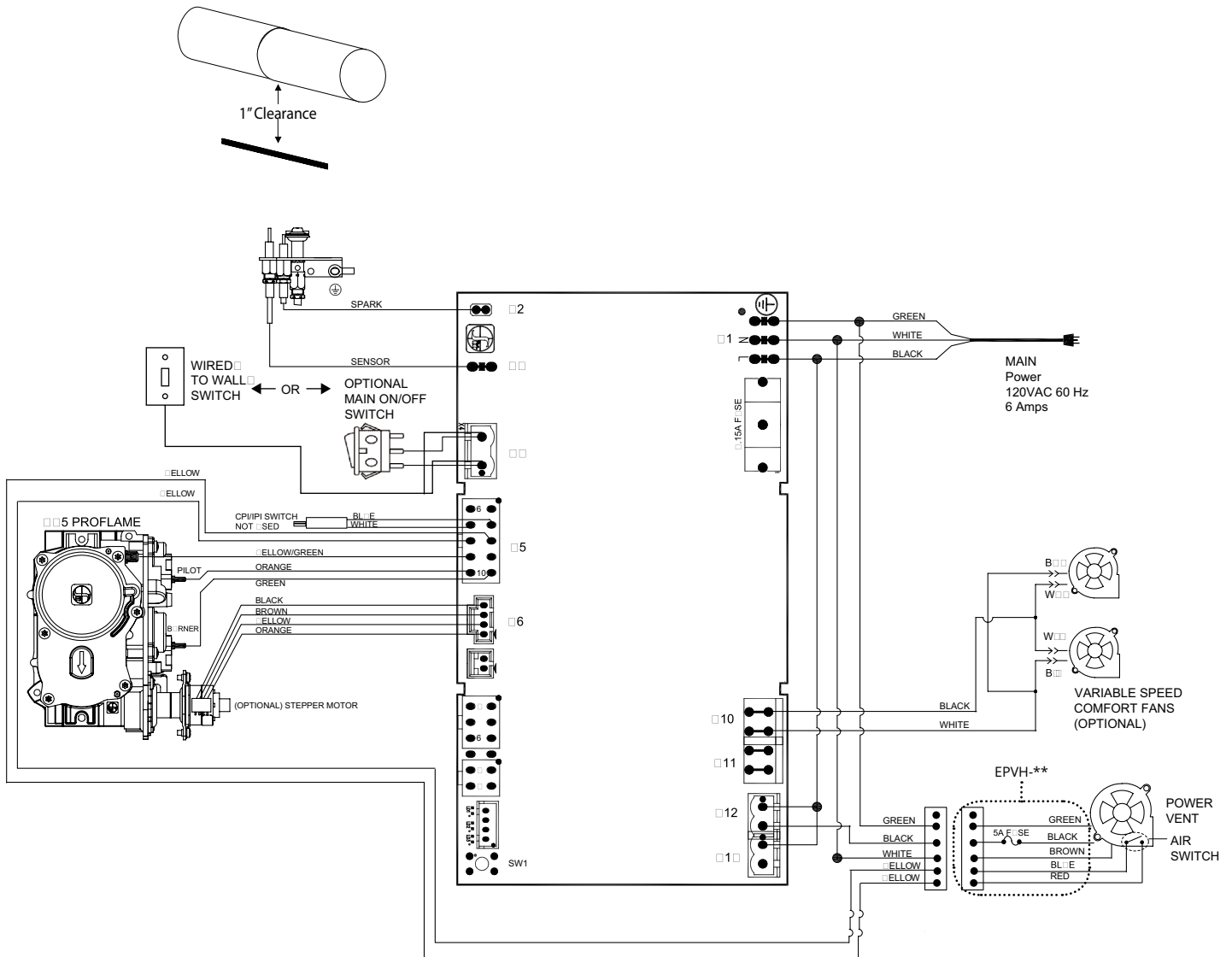
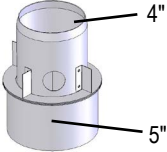
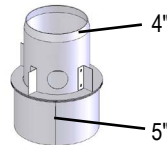
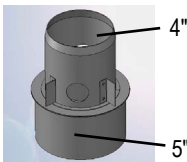
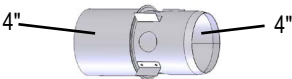


Figure 8B. Wiring schematic for DL,H,L and PL Series (ECA062PV)

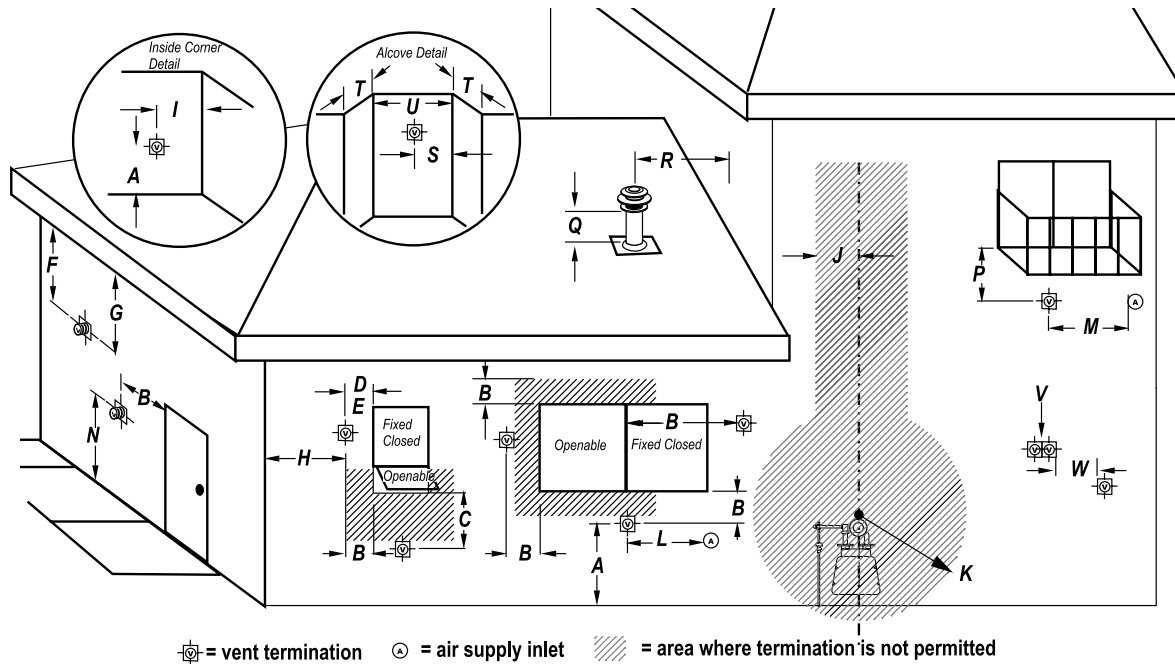
Replacement Parts



Description	Order Code
LPVC56 (Installed with LDVPV47 on the Following models)	
L52DF-ST ONLY  Dilution holes: 2@ 1.250" Exhaust hole: Ø 3"	LVA52ST 7" / 8" Adapter collar Included in kit
LPVC55 (Installed with LDVPV47 on the Following models)	
L52DFN ONLY  Dilution holes: 2@ 1.250" Exhaust hole: Ø 2.375"	LVA522H 7" / 8" Adapter collar Included in kit
LPVC54 (Installed with LDVPV47 on the Following models)	
M40-Series L38DFN, L42DFN H38DFN, HL38DFN H42DFN, HL42DFN L38DF-ST, L42DF-ST H38DF-ST, HL38DF-ST H42DF-ST, HL42DF-ST  Dilution holes: 2@ 1.250" Exhaust hole: Ø 2.375"	LVA5487 7" / 8" Adapter collar Included in kit
H52CA03 (Installed with LDVPV58 on the Following models)	
H34DFN, HL34DFN, H34DFL HR34DFN  Dilution holes: 4@ 1.250" Exhaust hole: Ø 2.375"	LVA47

Appendix

Appendix A: Termination Locations



A = clearance to the termination frame above grade, veranda, porch, deck, or balcony [16 inches (41 cm) minimum]

B = clearance to door, or sides and top of window, that may be opened [16 inches (41 cm) minimum for appliances $\leq 100\,000$ BTU/H (30kW)]

C = clearance to bottom of window that may be opened horizontally [36 inches (92 cm) minimum for appliances $\leq 100\,000$ BTU/H (30kW)]

D = no clearance to permanently closed window when installed with approved glass penetration termination

E = clearance to permanently closed window [16 inches 41 cm recommended to prevent condensation on window]

F = vertical clearance to ventilated soffit located above the termination within a horizontal distance of 2 feet (61 cm) from the centreline of the termination [22 inches (56 cm) minimum]

G = clearance to unventilated soffit [16 inches (41 cm) minimum to non-combustibles] [22 inches (56 cm) minimum to combustibles]

H = clearance to outside corner [9 inches (23 cm) minimum]

I = clearance to inside corner [12 inches (31 cm) minimum]

J = * not to be installed above a meter/regulator assembly within 40" (103 cm) horizontally from the centreline of the regulator

K = clearance to service regulator vent outlet [3 feet minimum in the United States] [*6 feet (1.8 m) minimum in Canada]

L = clearance to non-mechanical air supply inlet to building or the combustion air inlet to any other appliance [16 inches (41 cm) minimum for appliances $\leq 100\,000$ BTU/H (30kW)]

M = clearance to mechanical air supply inlet [*6 feet (1.8 m) minimum]

N = † clearance above paved sidewalk or a paved driveway located on public property [*7 feet (2.1 m) minimum]

P = clearance under veranda, porch, deck, or balcony [16 inches (41 cm) minimum ‡ to non-combustibles] [22 inches (56 cm) minimum ‡ to combustibles]

Q = clearance above a roof [24 inches (61 cm) minimum]

R = clearance to adjacent walls and neighboring buildings [18 inches (46 cm)

minimum]

S = clearance from corner in recessed location [12 inches (31 cm) minimum]

T = maximum depth in recessed location [48 inches (122 cm) minimum]

U = minimum width for back wall of recessed location [24 inches (61 cm) minimum]

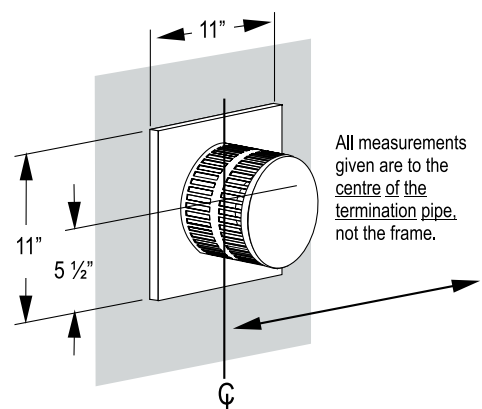
V = no horizontal clearance between the frames of two terminations that are level.

W = horizontal clearance between the frames of two terminations that are not level. [36 inches (92 cm) minimum]

† a vent shall not terminate directly above a sidewalk or paved driveway which is located between two single family dwellings and serves both dwellings

‡ only permitted if veranda, porch, deck, or balcony has an open side that is equal to or greater than the depth of the enclosed area

* as specified in CGA B149 Installation Codes. Note: local Codes or Regulations may require different clearance.



Appendix

Appendix B: Warranty

The Warranty

The Companies warrants the Montigo Gas Appliance to be free from defects in materials and workmanship at the time of manufacture. On the Montigo fireplace, there is a ten-year warranty on the firebox and its components, a five-year warranty on the main burner and pilot burner, and a one-year warranty on the gas control valve, fibre logs and Power Vent Module. The Glass, plated / painted finishes, and refractory lining are exempt from the warranty.

Remedy And Exclusions

The coverage of this Warranty is limited to all components of the Gas Appliance manufactured by The Companies.

This Warranty only covers Montigo Gas Appliances installed in the United States or Canada.

If the components of the Gas Appliance covered by this Warranty are found to be defective within the time frame stated (see The Companies right of investigation outlined below). The Companies will, at its option, replace or repair defective components of the Gas Appliance manufactured by The Companies at no charge, and will also pay for reasonable labour costs incurred in replacing or repairing components. If repair or replacement is not commercially practical, The Companies will, at its option, refund the purchase price of the Montigo Gas Appliance.

This Warranty covers only parts and labour as provided above. In no case shall The Companies be responsible for materials, components, or construction which are not manufactured or supplied by The Companies, or for the labour necessary to install, repair or remove such materials, components or construction. All replacement or repair components will be shipped F.O.B. the nearest The Companies factory.

Qualifications To The Warranty

The Gas Appliance Warranty outlined above is further subject to the following qualifications:

- (1) The Gas Appliance must be installed in accordance with The Companies installation instructions and local building codes. The Warranty on this Montigo Gas Appliance covers only the component parts manufactured by The Companies. The use of components manufactured by others with this Montigo Gas Appliance could create serious safety hazards, may result in the denial of certification by recognized national safety agencies, and could be in violation of local building codes. This warranty does not cover any damages occurring from the use of any components not manufactured or supplied by The Companies
- (2) The Montigo Gas Appliance must be subjected to normal use. The Gas Appliances are designed to burn gas only. Burning conventional fireplace fuels such as wood, coal or any other solid fuel will cause damage to the Gas Appliance, will produce excessive temperatures and will result in a fire hazard.

Limitations On Liability

It is expressly agreed and understood that The Companies sole obligation, and purchaser's exclusive remedy under this Warranty, under any other warranty, expressed or implied, or in contract, tort or otherwise, shall be limited to replacement, repair, or refund, as specified above.

In no event shall The Companies be responsible for any incidental or consequential damages caused by defects in its products, whether such damage occurs or is discovered before or after replacement or repair, and whether or not such damage is caused by The Companies negligence. Some states do not allow the exclusion or limitation of incidental or consequential damages, so the above limitation or exclusion may not apply to you. The duration of any implied warranty with respect to this Montigo Gas Appliance is limited to the duration of the foregoing warranty. Some states do not allow limitation on how long an implied warranty lasts, so the above may not apply to you.

Investigation Of Claims Against Warranty

The Companies reserves the right to investigate any and all claims against this Warranty and to decide upon method of settlement.

The Companies Are Not Responsible For Work Done Without Written Consent

The Companies shall in no event be responsible for any warranty work done without first obtaining The Companies written consent.

Dealers Have No Authority To Alter This Warranty

The Companies employees and dealers have no authority to make any warranties nor to authorize any remedies in addition to or inconsistent with those stated above.

How To Register A Claim Against Warranty

In order for any claim under this Warranty to be valid, The Companies must be notified of the claimed defect in writing or by telephone, as soon as reasonably possible after the defect is discovered. Claims against this Warranty in writing should include the date of installation, and a description of the defect.

Other Rights

This Warranty gives you specific legal rights, and you may also have other rights which vary from state to state.

NOTE: *The Companies as stated above refer to - Canadian Heating Products Inc. and/or Montigo Del Ray Corp.*

Canadian Heating Products Inc. and/or Montigo DelRay Corp. reserves the right to make changes at any time, without notice, in design, materials, specifications, prices and also to discontinue colors, styles and products.

Appendix

Appendix C: State of Massachusetts

Amendment

(Gas Fireplace / Equipment sold in the State of Massachusetts)

5.08: Modifications to NFPA-54, Chapter 10

(1) Revise NFPA-54 section 10.5.4.2 by adding a second exception as follows:

Existing chimneys shall be permitted to have their use continued when a gas conversion burner is installed, and shall be equipped with a manually reset device that will automatically shut off the gas to the burner in the event of a sustained back-draft.

(2) Revise 10.8.3 by adding the following additional requirements:

(a) For all side wall horizontally vented gas fueled equipment installed in every dwelling, building or structure used in whole or in part for residential purposes, including those owned or operated by the Commonwealth and where the side wall exhaust vent termination is less than seven (7) feet above finished grade in the area of the venting, including but not limited to decks and porches, the following requirements shall be satisfied:

1. INSTALLATION OF CARBON MONOXIDE DETECTORS. At the time of installation of the side wall horizontal vented gas fueled equipment, the installing plumber or gas fitter shall observe that a hard wired carbon monoxide detector with an alarm and battery back-up is installed on the floor level where the gas equipment is to be installed. In addition, the installing plumber or gas fitter shall observe that a battery operated or hard wired carbon monoxide detector with an alarm is installed on each additional level of the dwelling, building or structure served by the side wall horizontal vented gas fueled equipment. It shall be the responsibility of the property owner to secure the services of qualified licensed professionals for the installation of hard wired carbon monoxide detectors

a. In the event that the side wall horizontally vented gas fueled equipment is installed in a crawl space or an attic, the hard wired carbon monoxide detector with alarm and battery back-up may be installed on the next adjacent floor level.

b. In the event that the requirements of this subdivision can not be met at the time of completion of installation, the owner shall have a period of thirty (30) days to comply with the above requirements; provided, however, that during said thirty (30) day period, a battery operated carbon monoxide detector with an alarm shall be installed.

2. APPROVED CARBON MONOXIDE DETECTORS. Each carbon monoxide detector as required in accordance with the above provisions shall comply with NFPA 720 and be ANSI/UL 2042 listed and IAS certified.

3. SIGNAGE. A metal or plastic identification plate shall be permanently mounted to the exterior of the building at a minimum height of eight (8) feet above grade directly in line with the exhaust vent terminal for the horizontally vented gas fueled heating appliance or equipment. The sign shall read, in print size no less than one-half (1/2) inch in size, "GAS VENT DIRECTLY BELOW. KEEP CLEAR OF ALL OBSTRUCTIONS".

4. INSPECTION. The state or local gas inspector of the side wall horizontally vented gas fueled equipment shall not approve the installation unless, upon inspection, the inspector observes carbon monoxide detectors and signage installed in accordance with the provisions of 248 CMR 5.08(2)(a)1 through 4.

(b) EXEMPTIONS: The following equipment is exempt from 248 CMR 5.08(2)(a)1 through 4:

1. The equipment listed in Chapter 10 entitled "Equipment Not Required To Be Vented" in the most current edition of NFPA 54 as adopted by the Board; and

2. Product Approved side wall horizontally vented gas fueled equipment installed in a room or structure separate from the dwelling, building or structure used in whole or in part for residential purposes.

(c) MANUFACTURER REQUIREMENTS - GAS EQUIPMENT VENTING SYSTEM PROVIDED. When the manufacturer of Product Approved side wall horizontally vented gas equipment provides a venting system design or venting system components with the equipment, the instructions provided by the manufacturer for installation of the equipment and the venting system shall include:

1. Detailed instructions for the installation of the venting system design or the venting system components; and

2. A complete parts list for the venting system design or venting system.

(d) MANUFACTURER REQUIREMENTS - GAS EQUIPMENT VENTING SYSTEM NOT PROVIDED. When the manufacturer of a Product Approved side wall horizontally vented gas fueled equipment does not provide the parts for venting the flue gases, but identifies "special venting systems", the following requirements shall be satisfied by the manufacturer:

1. The referenced "special venting system" instructions shall be included with the appliance or equipment installation instructions; and

2. The "special venting systems" shall be Product Approved by the Board, and the instructions for that system shall include a parts list and detailed installation instructions.

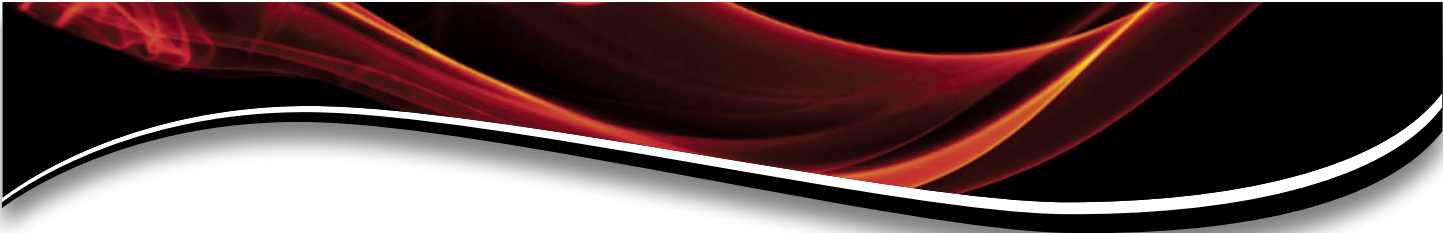
(e) A copy of all installation instructions for all Product Approved side wall horizontally vented gas fueled equipment, all venting instructions, all parts lists for venting instructions, and/or all venting design instructions shall remain with the appliance or equipment at the completion of the installation.

(3) After NFPA-54 section 10.10.4.2 add a new section 10.10.4.3 as follows:

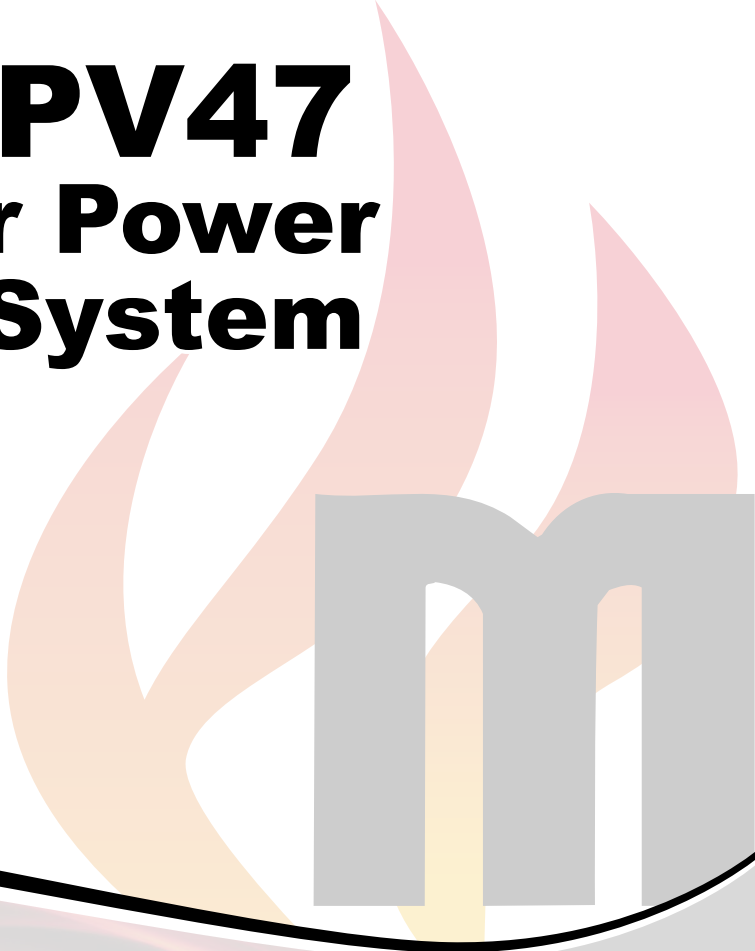
When more than four gas appliances are to be vented through a common gas vent or common horizontal vent manifold, a plan of the proposed vent installation shall be submitted to the Inspector and the serving gas supplier for review and approval.

Extraction from: Massachusetts Rules and Regulations

5.00: Amendments To 2002 Edition Of ANSI Z223.1-NFPA-54



LDVPV47 Linear Power Vent System



Ferndale, Washington
TF: 1.800.789.6236
FX: 1.866.3000.0927

Langley, British Columbia
TF: 1.800.378.3115
FX: 1.604.607.6462