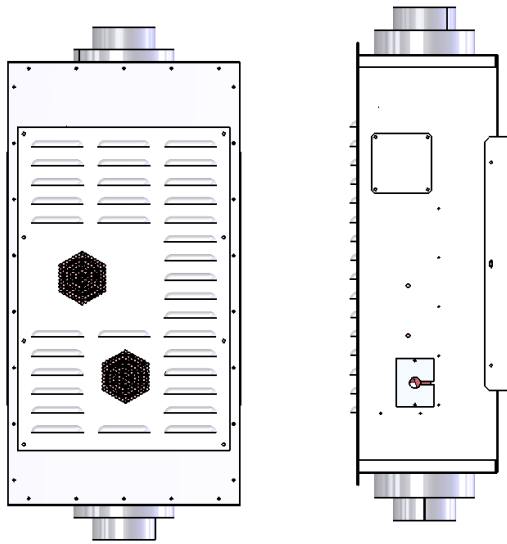
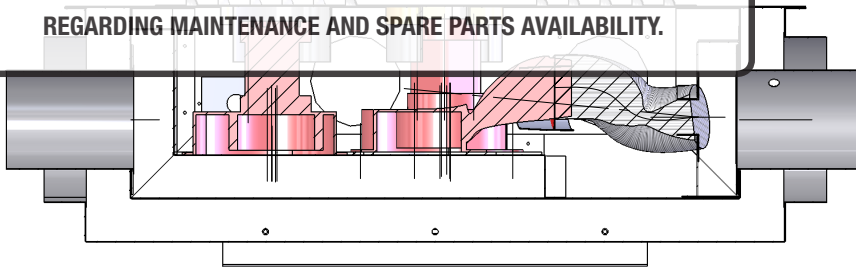


DISCONTINUED ITEM

THIS ITEM HAS BEEN DISCONTINUED AND IS NO LONGER IN PRODUCTION.
PLEASE CONTACT YOUR LOCAL MONTIGO DEALER REGARDING MAINTENANCE AND SPARE PARTS AVAILABILITY.



⚠ WARNING

Some materials used in the manufacturing process of this product can expose you to Benzene which is known in the State of California to cause cancer and birth defects or other reproductive harm. For more information go to www.P65warnings.ca.gov

Warning:

Improper installation, adjustment, alteration, service or maintenance can cause injury or property damage. Refer to this manual. For assistance or additional information consult a qualified installer, service agency or the gas supplier.

For Your Safety:

Do not store or use gasoline or other flammable vapors and liquids in the vicinity of this or any other appliance.

What To Do If You Smell Gas:

- Do not try to light any appliance.
- Do not touch any electrical switch; do not use any phone in your building.
- Immediately call your gas supplier from a neighbor's phone. Follow the gas supplier's instructions.
- If you cannot reach your gas supplier, call the fire department.

Installation Operation & Maintenance

LDVPV58

Linear Power Vent System

Safety Notice:

Venting Components and the Power Vent System can be extremely hot while the fireplaces is on and remain hot even after the fireplace has been turned off. Please allow adequate time for the venting to cool before servicing or maintaining the power vent.

Check local codes and read all instructions prior to installation.

- *Installer: Leave this manual with the appliance.*
- *Consumer: Leave this manual for future reference.*



Table Of Contents

Introduction 2

Installation

 Venting Installation 3 - 4

 Power Vent - Horizontal Vent 3

 Power Vent - Horizontal / Downward Vent 3

 Power Vent - Vertical Vent 4

 Power Vent Installation 5

 Wiring Instructions 6-7

Warranty 8

Termination Locations 9

Selecting and Installing the Power Vent

The Linear Power Vent System must only be used with a Montigo Direct Vent Fireplace. When selecting Venting components for use with this Linear Power Vent System, take into consideration the various requirements required for the vent installation section of the Model's manual:

Models Must Be Equipped with Electronic Ignition

Only models equipped with an electronic ignition system may be installed with the Linear Power Vent System. The absence of a standing pilot in this system, allows for greater flexibility on venting requirements. For example downward vertical vent runs are possible with an electronic ignition system, as outlined in the Venting Section.

General Information

This installation guide covers installation of the LDVPV58 Linear Power Vent System only. This system is designed to allow installation of gas fireplaces that **cannot be done** with a standard Direct Vent gas fireplace installation.

Specifications and instructions pertaining to your chosen fireplace must be followed. Please read this Installation Operation and Maintenance Instructions carefully before operating this equipment.

Standard Series (5"/8" dia.) Termination System:
 LDVPV58 - Linear Power Vent System
 Pre/Post Purge Control Box (ECA045PC, ECA062PV)

Power Cord Harnesses:
 EPVH-10 10 foot power cord and harness
 EPVH-20 20 foot power cord and harness
 EPVH-40 40 foot power cord and harness
 EPVH-60 60 foot power cord and harness
 EPVH-80 80 foot power cord and harness

Introduction

Before You Begin

- Minimum clearances of 1" from vent to all combustible materials must be maintained.
- The LDVPV58 must only be installed with Montigo venting components. The LDVPV58 may be used with any of the available Montigo terminations.
- Installation of the LDVPV58 must comply with this manual, and be completed by a qualified professional.
- Ensure the pipe ends male to female slide in a minimum of 1 1/2" overlap
- Connect all vent sections using a minimum of 3 sheet metal screws on the outer pipe flue.
- Plan the layout of the installation's venting run before starting the installation.
- The MAXIMUM total allowable length; Refer to Linear Power Vent Installation.
- Minimum length of straight pipe between the Fireplace and the Power Vent is: 2 feet
- Access / Service Panel, must maintain 2" clearance. If 2" clearance is not possible Minimum 30% free air must be supplied.
- Disconnect the power supply when installing and/or servicing the fireplace or the power vent system.

Specifications:

Dimensions: 34 7/8"L x 18 1/2"W. x 11 1/2"D.

Vent Size: (IN) 5"/8" (Out) 5"/8"

Motors: 1/10HP each, x 1.8A each (2) motors

Sound Level: dba

Weight: 60Lbs.

CAUTION:

When cold air enters the warmer building interior, primarily at the air intake end, condensation may occur on the exterior of the flex pipe. To limit this condensation, install insulation over the last twenty feet of flex pipe. Also, by sloping the last 20'-0" feet of flex pipe downward toward the exterior of the building, elimination of most of the condensation problems should occur. Ensure the termination is securely fastened, and sealed to the flex pipe. Fasten the termination to exterior of the building with water tight sealant and the appropriate fasteners.



Installation

Venting Installation

The LDVPV58 Power Vent must be installed with a gas fireplace equipped with an electronic ignition system. When installing the venting, the installation must adhere to the Venting Installation Section in the fireplace's Installation Operation and Maintenance Instructions, as well as the following guidelines:

- Ensure that the planned termination location is acceptable as shown in Appendix A.
- Minimum of 2 feet of straight pipe before the power vent.

WARNING:

Montigo will not be held responsible for any water damage that may occur from not installing the equipment as specified by this document.

Linear Power Vent - Horizontal Vent

Multi-elbow installations are possible up to a maximum Seventy feet (70'-0"), with three (3) 90° elbows. Minimum vent run from Fireplace to Power Vent must be two feet, (2'-0"). Maximum allowable vent run must be reduced by Ten feet (10'-0") for every 90° elbow added. With a snorkel Termination, reduce the total vent run by an additional twenty feet (20'-0"). Figure's 3a and 3b.

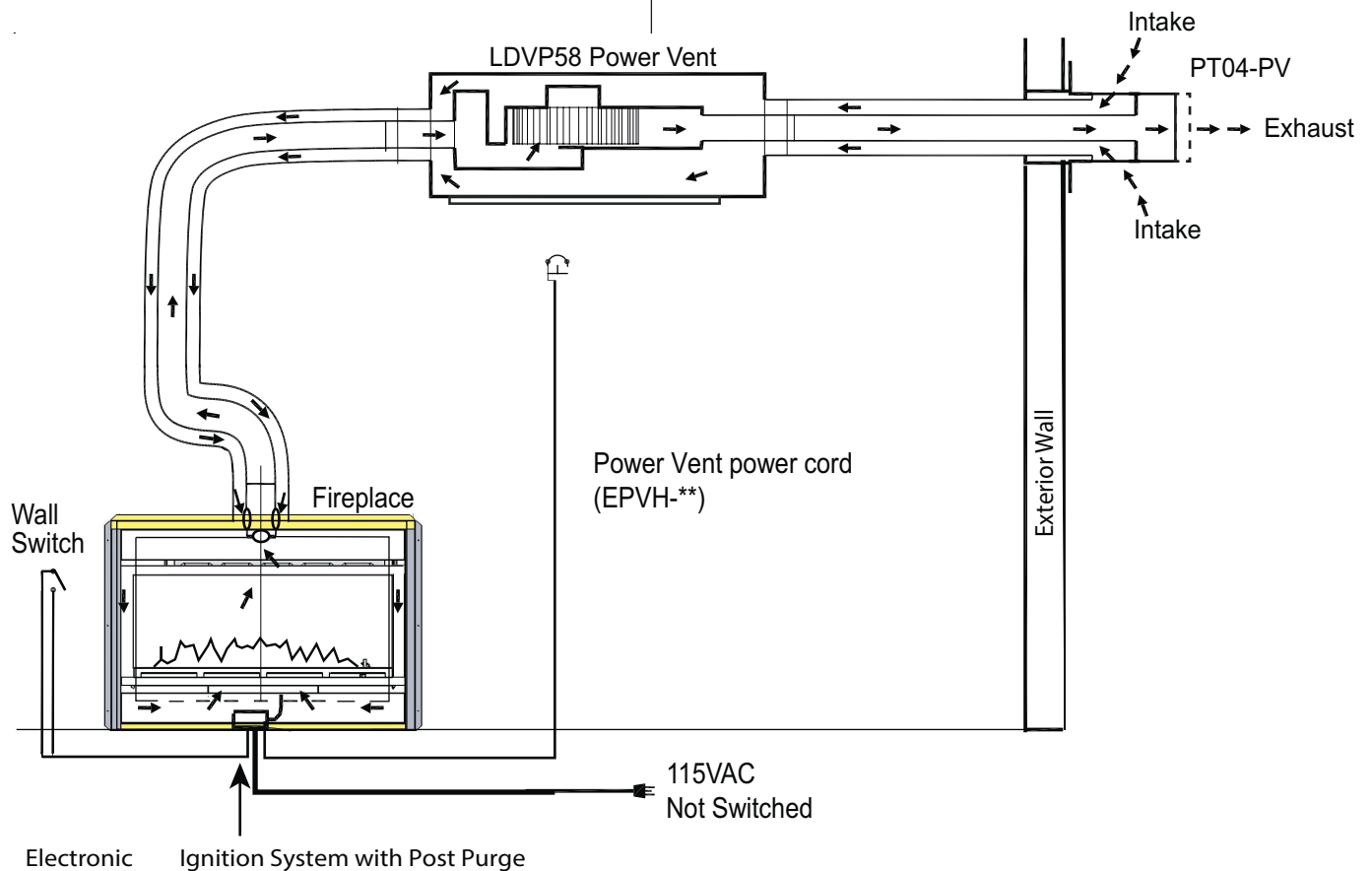
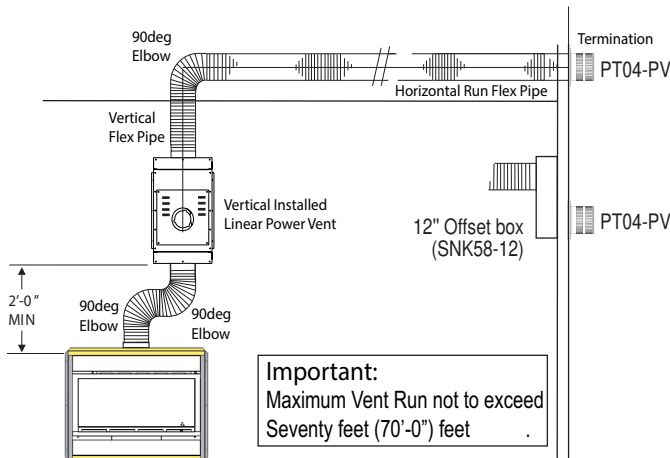
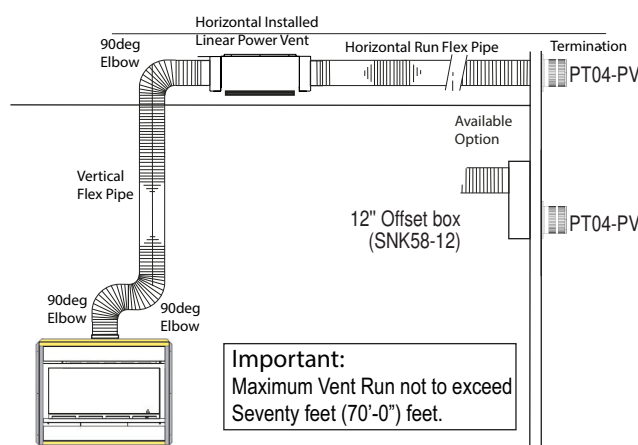


Figure 2. Illustration diagram for the LDVPV58 Linear Power Venter

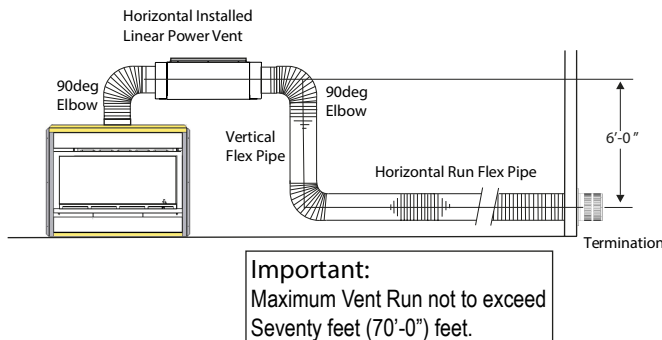


Installation

Example A. Vertical Mounting with horizontal Vent Run

Figure 3a. Vertical Mounting for the Linear Power Venter
Example B. Horizontal Mounting with horizontal Vent Run

Figure 3b. Horizontal Vent for the Linear Power Venter

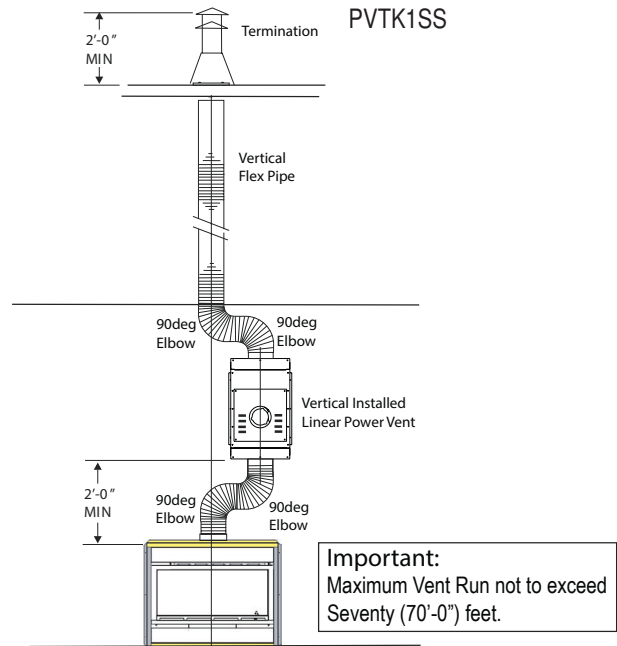
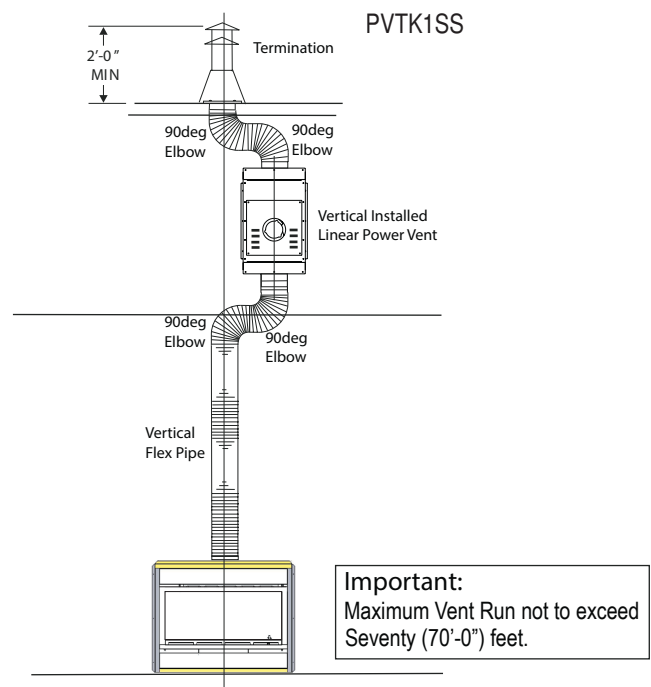
Linear Power Vent - Horizontal / Downward Vent

Multi-elbow installations are possible up to a maximum seventy feet (70'-0"), with three (3) 90° elbows. Minimum vent run from Fireplace to Power Vent must be two feet, (2'-0"). Maximum allowable vent run must be reduced by Ten feet (10'-0") for every 90° elbow added. Deduct ten feet (10'-0") of vent length for every one foot (1'-0") of vent run traveling in a downward direction.


Figure 4a. Horizontal Linear Power Vent with Horizontal Vent Run

Linear Power Vent - Vertical Vent

Multi-elbow installations are possible up to a maximum one-hundred thirty feet (100'-0"), with three (3) 90° elbows. Minimum vent run from Fireplace to Power Vent must be two feet, (2'-0"). Maximum allowable vent run must be reduced by Ten feet (10'-0") for every 90° elbow added. Figure's 5a and 5b.

Example A. Vertical Mounting with Vertical Vent Run

Figure 5a. Vertical Vent for the Linear Power Venter
Example B. Vertical Mounting with Vertical Vent Run

Figure 5b. Vertical Linear Power Vent with Vertical Vent Run

Installation



Selecting A Termination Location

Please consult Appendix I, to ensure that the location of the vent run termination is within the guidelines.

Installing the Linear Power Vent

1. The linear power vent can be installed to existing stud construction or directly to cement wall or roof. The LDVPV58 must maintain 1" clearances to combustibles. The required service access panel must be framed at 18" X 18". To enclose the service access panel, (at less than 1") a minimum 30% free air must be supplied at all times.
2. Plug the power chord into the available slot in the linear power vent.
3. Secure all venting joints with at least three screws and ensure that the joints are properly sealed by applying high temperature silicone.

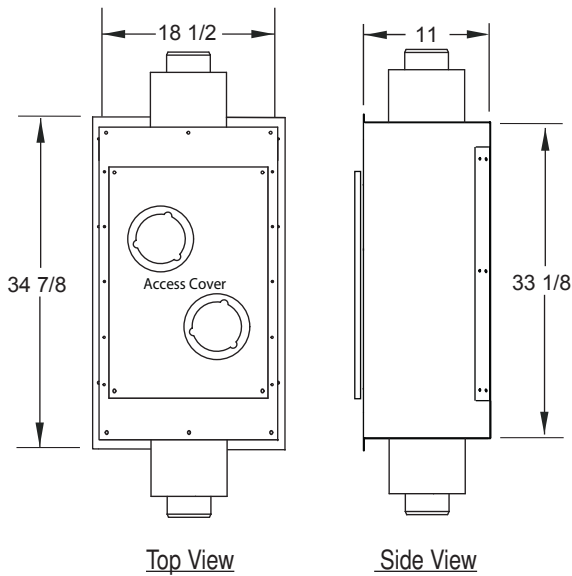


Figure 6. LDVPV58 Power Vent overall dimensions.

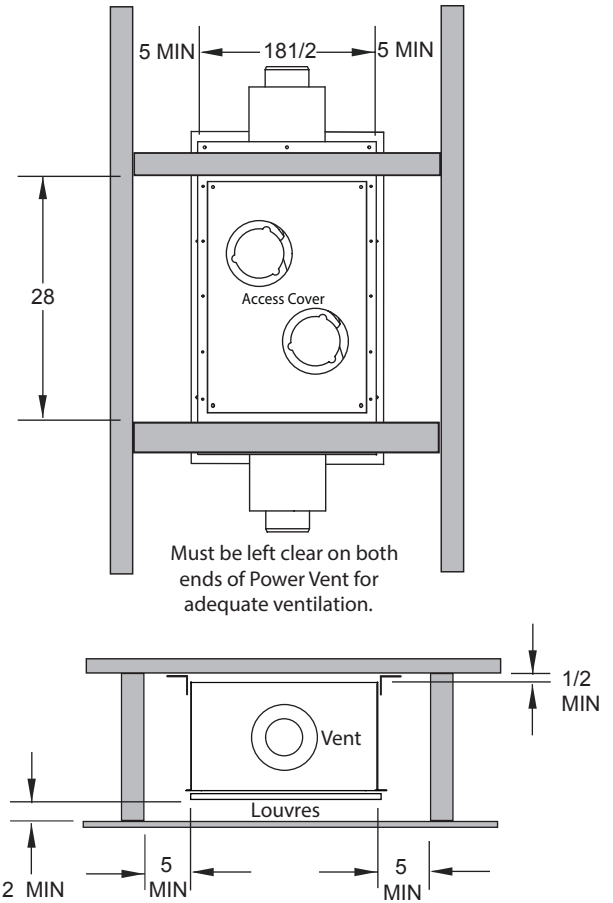


Figure 7. LDVPV58 Power Vent framing dimensions.



Installation

Wiring Installation

Connect the wiring to the linear power vent as outlined in the previous section, and connect the wiring to the fireplace as outlined in the schematic below. Ensure that the proper clearances are maintained for the wiring.

When installing the wiring it must never run above the vent run and it must be at least 1" clear of all venting.

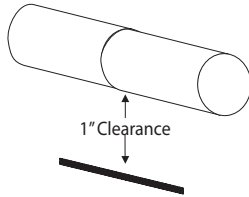


Figure 8a. Wiring Clearances.

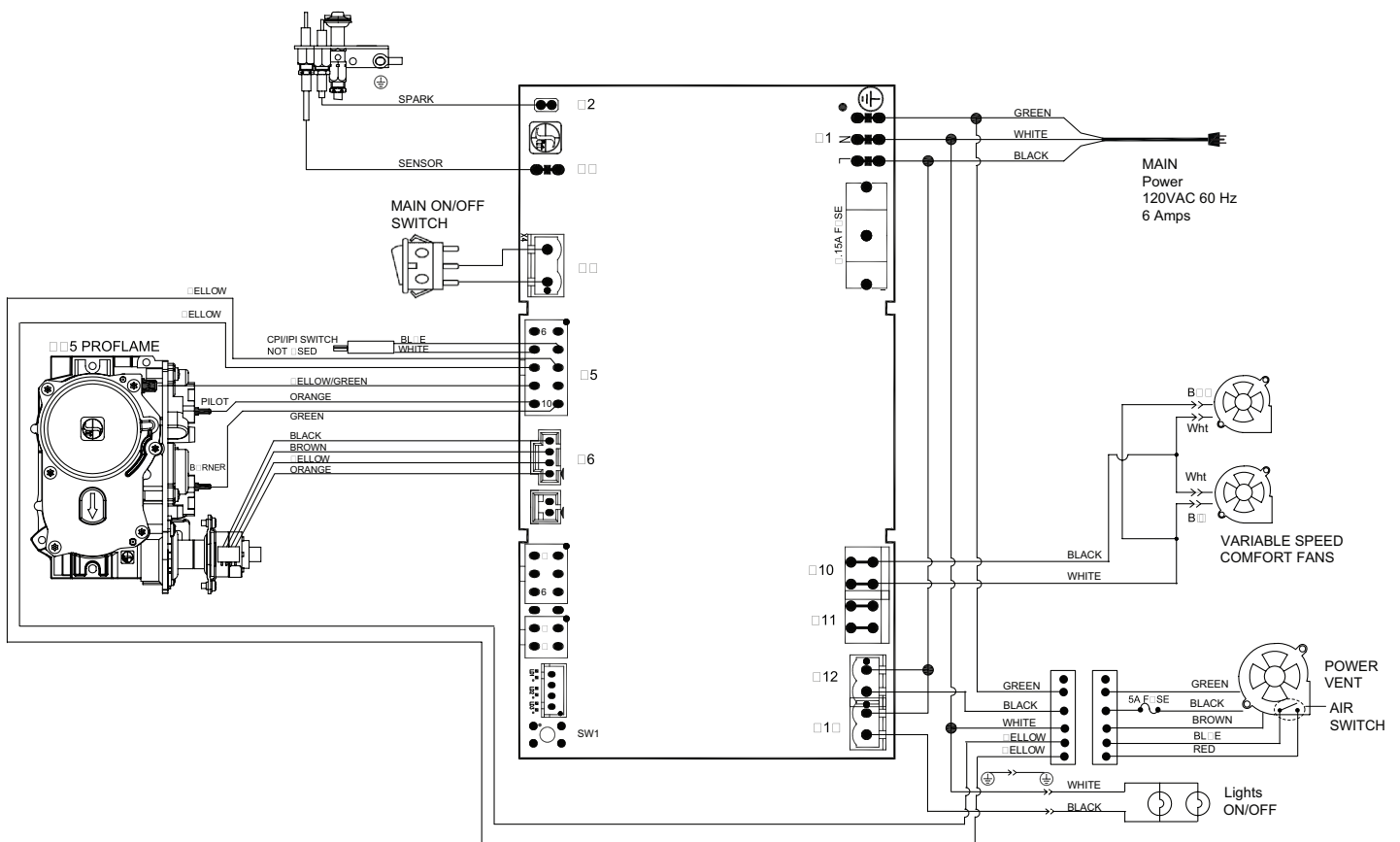


Figure 8. Wiring schematic for P38,P42 and P52 with power vent. (ECA045PC)



Installation

Wiring Installation

Connect the wiring to the linear power vent as outlined in the previous section, and connect the wiring to the fireplace as outlined in the schematic below. Ensure that the proper clearances are maintained for the wiring.

When installing the wiring it must never run above the vent run and it must be at least 1" clear of all venting.

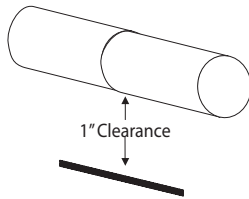


Figure 8a. Wiring Clearances.

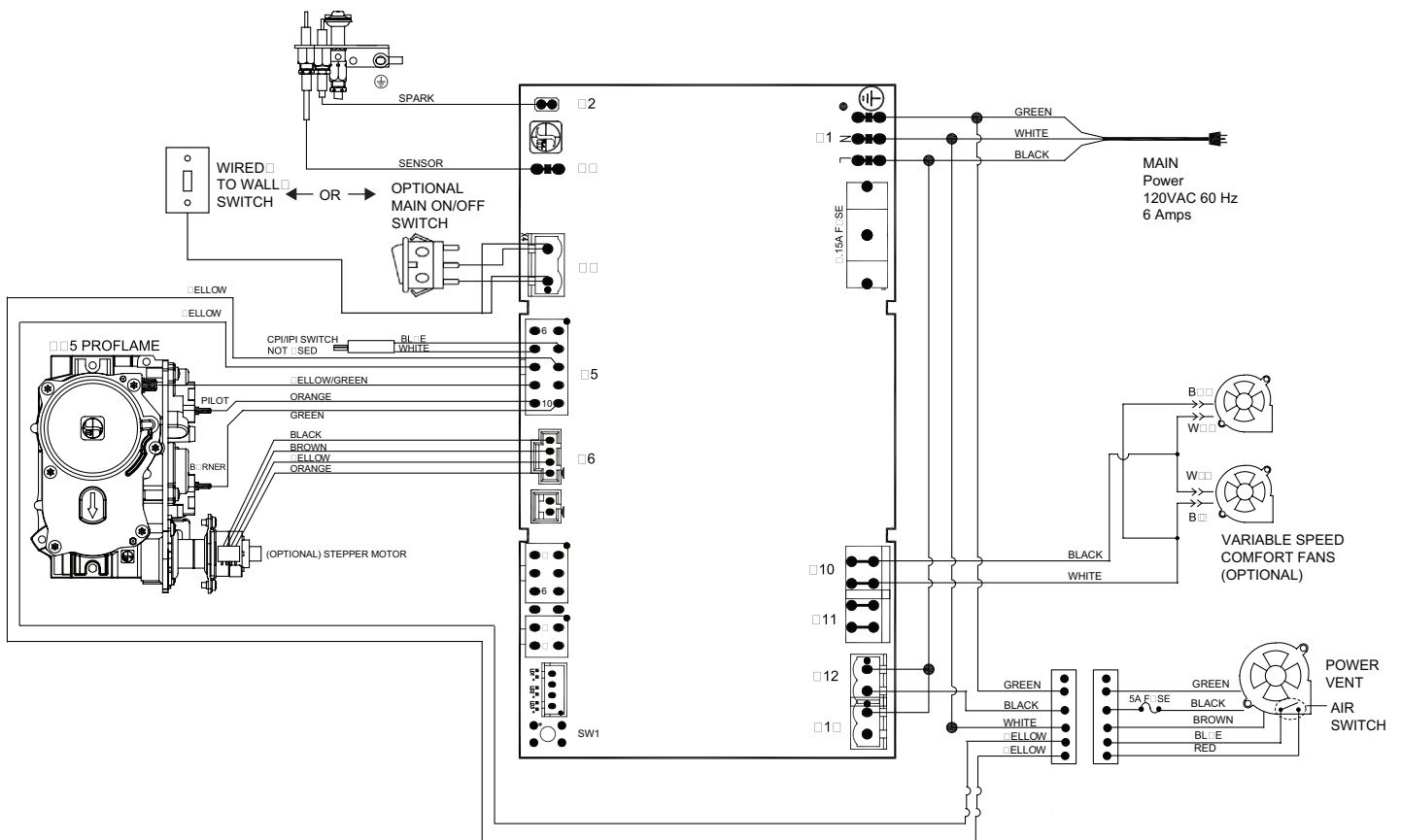


Figure 8B. Wiring schematic for B,H,L and PL Series (ECA062PV)

Warranty

The Warranty

The Companies warrants the Montigo Gas Appliance to be free from defects in materials and workmanship at the time of manufacture. On the Montigo, there is a ten-year warranty on the firebox and its components, a five-year warranty on the main burner and pilot burner, and a one-year warranty on the gas control valve and fibre logs. Glass, plated/painted finishes, and refractory lining are exempt.

Remedy And Exclusions

The coverage of this Warranty is limited to all components of the Gas Appliance manufactured by The Companies.

This Warranty only covers Montigo Gas Appliances installed in the United States or Canada.

If the components of the Gas Appliance covered by this Warranty are found to be defective within the time frame stated (see The Companies right of investigation outlined below). The Companies will, at its option, replace or repair defective components of the Gas Appliance manufactured by The Companies at no charge, and will also pay for reasonable labour costs incurred in replacing or repairing components. If repair or replacement is not commercially practical, The Companies will, at its option, refund the purchase price of the Montigo Gas Appliance.

This Warranty covers only parts and labour as provided above. In no case shall The Companies be responsible for materials, components, or construction which are not manufactured or supplied by The Companies, or for the labour necessary to install, repair or remove such materials, components or construction. All replacement or repair components will be shipped F.O.B. the nearest The Companies factory.

Qualifications To The Warranty

The Gas Appliance Warranty outlined above is further subject to the following qualifications:

- (1) The Gas Appliance must be installed in accordance with The Companies installation instructions and local building codes. The Warranty on this Montigo Gas Appliance covers only the component parts manufactured by The Companies. The use of components manufactured by others with this Montigo Gas Appliance could create serious safety hazards, may result in the denial of certification by recognized national safety agencies, and could be in violation of local building codes. This warranty does not cover any damages occurring from the use of any components not manufactured or supplied by The Companies
- (2) The Montigo Gas Appliance must be subjected to normal use. The Gas Appliances are designed to burn gas only. Burning conventional fireplace fuels such as wood, coal or any other solid fuel will cause damage to the Gas Appliance, will produce excessive temperatures and will result in a fire hazard.

Limitations On Liability

It is expressly agreed and understood that The Companies sole obligation, and purchaser's exclusive remedy under this Warranty, under any other warranty, expressed or implied, or in contract, tort or otherwise, shall be limited to replacement, repair, or refund, as specified above.

In no event shall The Companies be responsible for any incidental or consequential damages caused by defects in its products, whether such damage occurs or is discovered before or after replacement or repair, and whether or not such damage is caused by The Companies negligence. Some states do not allow the exclusion or limitation of incidental or consequential damages, so the above limitation or exclusion may not apply to you. The duration of any implied warranty with respect to this Montigo Gas Appliance is limited to the duration of the foregoing warranty. Some states do not allow limitation on how long an implied warranty lasts, so the above may not apply to you.

Investigation Of Claims Against Warranty

The Companies reserves the right to investigate any and all claims against this Warranty and to decide upon method of settlement.

The Companies Are Not Responsible For Work Done Without Written Consent

The Companies shall in no event be responsible for any warranty work done without first obtaining The Companies written consent.

Dealers Have No Authority To Alter This Warranty

The Companies employees and dealers have no authority to make any warranties nor to authorize any remedies in addition to or inconsistent with those stated above.

How To Register A Claim Against Warranty

In order for any claim under this Warranty to be valid, The Companies must be notified of the claimed defect in writing or by telephone, as soon as reasonably possible after the defect is discovered. Claims against this Warranty in writing should include the date of installation, and a description of the defect.

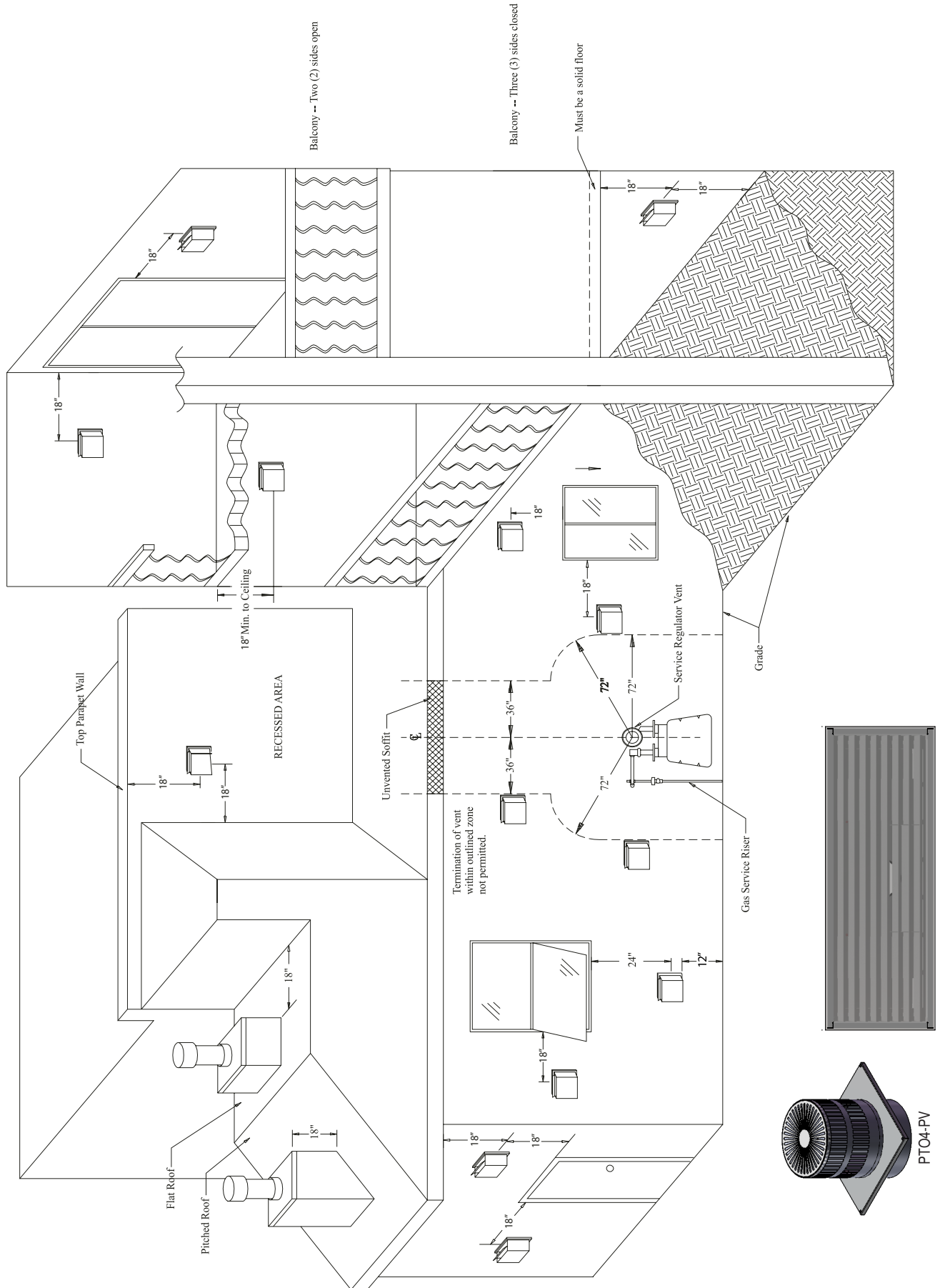
Other Rights

This Warranty gives you specific legal rights, and you may also have other rights which vary from state to state.

NOTE: The Companies as stated above refer to - Canadian Heating Products Inc. and/or Montigo Del Ray Corp.

Canadian Heating Products Inc. and/or Montigo DelRay Corp. reserves the right to make changes at any time, without notice, in design, materials, specifications, prices and also to discontinue colors, styles and products.

Termination Locations





XG0752 - 160902

Canadian Heating Products Inc.
Langley, BC V4W 4A1

Montigo Del Ray Corp.
Ferndale, WA 98248