

# Installation & Maintenance Manual

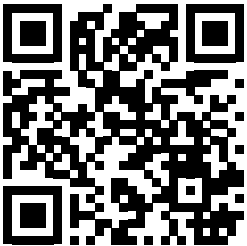
**MONTIGO**<sup>®</sup>  
the art of **fireplaces**

## PRODIGY SERIES INDOOR GAS FIREPLACE

**SINGLE SIDED, SEE-THROUGH, CORNER RIGHT/LEFT & BAY FRAMELESS LINEAR FIREPLACE**

*Natural Gas or Propane Gas*

### IMPORTANT



SCAN THE QR CODE OR VISIT THE WEBSITE TO VIEW THE MOST RECENT VERSION OF THE MANUAL

[WWW.MONTIGO.COM/PRODUCT-GUIDES](http://WWW.MONTIGO.COM/PRODUCT-GUIDES)



- The installation of this fireplace must be done by a qualified and certified gas appliance installer.
- Check local codes and read all instructions prior to installation.

#### **⚠ WARNING:**

##### **FIRE OR EXPLOSION HAZARD**

Failure to follow safety warnings exactly could result in serious injury, death, or property damage.

- Do not store or use gasoline or other flammable vapors and liquids in the vicinity of this or any other appliance.
- WHAT TO DO IF YOU SMELL GAS
  - Do not try to light any appliance.
  - Do not touch any electrical switch; do not use any phone in your building.
  - Leave the building immediately.
  - Immediately call your gas supplier from a neighbor's phone. Follow the gas supplier's instructions.
  - If you cannot reach your gas supplier, call the fire department.
- Installation and service must be performed by a qualified installer, service agency or the gas fitter.

## NOTICE

**Installer:** Leave this manual with the appliance.  
**Consumer:** Retain this manual for future reference.

## **⚠ CAUTION**

Installation and service must be performed by a qualified installer, service agency or the gas fitter.

## **⚠ DANGER**

Read and understand this manual. Improper installation, adjustment, alteration, service or maintenance can cause serious injury, property damage or even death. For assistance or additional information consult a qualified installer, service agency or the gas supplier.

## **⚠ WARNING**

Some materials used in the manufacturing process of this product can expose you to Benzene which is known in the State of California to cause cancer and birth defects or other reproductive harm. For more information go to [www.P65warnings.ca.gov](http://www.P65warnings.ca.gov)

## Safety Alert Key

### DANGER

Indicates a hazardous situation which, if not avoided, WILL result in death, or serious injury or property damage.

### WARNING

Indicates a hazardous situation which, if not avoided, COULD result in death, serious injury or property damage.

### CAUTION

Indicates a hazardous situation which, if not avoided, WILL result in minor or moderate injury.

### NOTICE

Indicates practices that are important, but not related to personal injury.

## Introduction

### **Congratulations on your purchase of a Montigo Fireplace.**

With over 40 years of experience, Montigo is committed to providing you with a gas fireplace that is not only a beautiful addition to your space, but that is also designed and manufactured to the highest safety, reliability and engineering standards.

We strongly encourage you to read and carefully follow the instructions laid out in this Installation, Operation and Maintenance Manual and retain it for your future reference. Pay special attention to all cautions, warnings, and notices throughout this manual intended to ensure your safety.

This manual covers installation, operation and maintenance. Lighting, operation and care of this fireplace can be easily performed by the homeowner. All installation and service work should be performed by a qualified or licensed installer, plumber or gas fitter as certified by the state, province, region or governing body where the fireplace is being installed.

This installation, operation and maintenance manual is applicable to the models described in Figure 1. Refer to your rating plate to verify included options.

### **Warranty and Installation Information: (See Appendix B)**

The Montigo warranty will be voided by, and Montigo disclaims any responsibility for, the following actions:

- Modification of the fireplace and/or components including power vent module or glass doors.
- Use of any component part not manufactured or approved by Montigo in combination with this Montigo fireplace system.
- Installation other than as instructed in this manual.

Consult your local Gas Inspection Branch on installation requirements for factory-built gas fireplaces. Installation and repairs should be done by a qualified contractor.

# Contents

|   |           |  |           |
|---|-----------|--|-----------|
| <b>Safety Alert Key</b> .....                   | <b>2</b>  | <b>Section 5: Wiring</b> .....   | <b>19</b> |
| <b>Introduction</b> .....                       | <b>2</b>  | Control Panel Installation .....   | 19        |
| Section A: Before You Begin .....               | 4         | Electrical Connection Directions.....                                    | 21        |
| Unit Overview .....                             | 4         | Damper Connections .....   | 21        |
| Prodigy Code Breakdown.....                     | 5         | <b>Section 6: Installing the gas line</b> .....                          | <b>22</b> |
| Prodigy Burner and Venting Size.....            | 5         | <b>Section 7: Start Up</b> .....   | <b>23</b> |
| <b>Section 1: Product Dimensions</b> .....      | <b>6</b>  | <b>LED Remote Control Operation</b> .....                                | <b>24</b> |
| Single sided dimensions .....                   | 6         | LED Troubleshooting.....   | 24        |
| See-through dimensions .....                    | 6         | Pairing the Remote to the Module (Code Clearing and Code Matching) ..... | 25        |
| Corner Dimensions.....                          | 7         | Inverter Operation .....   | 26        |
| Bay Dimensions .....                            | 7         | Inverter Display.....  | 26        |
| <b>Section 2: Power vents</b> .....             | <b>8</b>  | Intermittent Problems.....   | 26        |
| Installing the Power Vent Termination.....      | 8         | Ignition system error codes.....   | 26        |
| Roof or Wall Mount Power Vent Installation..... | 8         | <b>Section 8: Installing &amp; Removing the Glass</b> .....              | <b>27</b> |
| Inline Power Vent Installation.....             | 8         | <b>Section 9: Installing the Accessories</b> .....                       | <b>28</b> |
| Combined combustion air ducts .....             | 8         | Installing the Glass Media .....   | 28        |
| Roof Mounted .....                              | 9         | Burner Media Quantities.....   | 28        |
| Wall Mounted .....                              | 10        | Driftwood & Speckled Stones .....  | 28        |
| In-Line Mounted .....                           | 11        | Optional speckled stones .....   | 28        |
| Flue Gas Louvered Exhaust Termination .....     | 12        | <b>Section 10: Troubleshooting</b> .....                                 | <b>29</b> |
| Combustion Air Louvered Intake.....             | 13        | <b>Section 11: Cleaning and Maintenance</b> .....                        | <b>30</b> |
| <b>Section 3: Framing</b> .....                 | <b>14</b> | General .....  | 30        |
| Clearance Requirements.....                     | 14        | Cleaning .....   | 30        |
| Framing.....                                    | 14        | <b>Appendix B: Warranty</b> .....  | <b>31</b> |
| Framing Flanges.....                            | 14        | <b>Appendix B: Warranty Continued</b> .....                              | <b>32</b> |
| Framing Flange Locations.....                   | 14        | <b>Appendix B: Power Vent Clearances</b> .....                           | <b>33</b> |
| Single Sided Framing.....                       | 15        | <b>Appendix C: Dampers</b> .....   | <b>35</b> |
| Corner Framing.....                             | 15        | Damper System Overview .....   | 35        |
| See-Through Framing.....                        | 15        | Damper Wiring.....   | 35        |
| Bay Framing .....                               | 15        | <b>Indoor fireplace in protected outdoor applications</b> .....          | <b>36</b> |
| <b>Section 4: Finishing</b> .....               | <b>16</b> | See through fireplace.....   | 36        |
| Finishing Around the Fireplace .....            | 16        | Notes .....  | 36        |
| Television Installation .....                   | 16        | Single sided fireplace.....  | 36        |
| Mantle and Hearth.....                          | 16        |  |           |
| Prodigy Indoor/Outdoor Kit Dimensions.....      | 17        |  |           |
| Prodigy Indoor/Outdoor Kit.....                 | 18        |  |           |

## Section A: Before You Begin

### IMPORTANT MESSAGE: SAVE THESE INSTRUCTIONS

The fireplace must be installed in accordance with these instructions. Carefully read all the instructions in this manual first. Consult the Local Gas Branch to determine the need for a permit prior to starting the installation. It is the responsibility of the installer to ensure this fireplace is installed in compliance with the manufacturers instructions and all applicable codes.

### NOTICE

Do not use this appliance if any part has been under water. Immediately call a qualified service technician to inspect the appliance and to replace any part of the control system and any gas control that has been under water.

### NOTICE

Due to high temperatures, the appliance should be located out of traffic and away from furniture and draperies.

### NOTICE

Children and adults should be alerted to the hazards of high surface temperature and should stay away to avoid burns or clothing ignition.

### NOTICE

Clothing or other flammable material should not be placed on or near the appliance.

### NOTICE

Installation and repair should be done by a qualified service person. The appliance should be inspected before use and at least annually by a professional service person. More frequent cleaning might be required due to excessive lint from carpeting, bedding material, etc. It is imperative that control compartments, burners, and circulating air passageways of the appliance be kept clean.

## Unit Overview

- Prodigy series fireplaces are supplied as a complete system consisting of firebox, power vent termination (roof mount, wall mount, or inline) and an electrical control panel. The venting required for the operation of the system must be field supplied.

### Power vent:

- Details on power venting can be found in Section 2.
- Flue Venting: The flue pipe installed from the firebox to the power vent module is field supplied and must be UL or ULc listed type B vent pipe with an I.D. dimension as shown.
- NOTE FOR INLINE POWER VENT INSTALLATION: The flue pipe from the outlet side of the inline power vent to the exterior of the building must be a positive pressure pipe system. The exhaust gases in this portion of the vent system are under positive pressure during operation; an unsealed vent pipe will allow exhaust gases to enter the living space.
- Should the power vent cease to function or not provide adequate draft at any time during operation of the unit, the flue gas vacuum pressure safety switch will prevent operation of the fireplace.

### Combustion Air:

- The combustion air or fresh air supply connections must be piped to ensure no reduction or restriction to the air supply occurs.
- The amount of air required to safely and efficiently run this unit has been pre-determined and must not be altered without consultation with the factory. A heat sensor switch will turn off the burner if a restricted fresh air intake causes vent temperatures to rise.
- Some locations allow for fresh air to be drawn from the room in which the fireplace is installed. This type of installation is acceptable from a functional perspective so long as adequate free air is available in the room, but local codes may not allow this type of air supply. Always check local regulations for air supply before installing the fireplace.

### Electrical Control Panel:

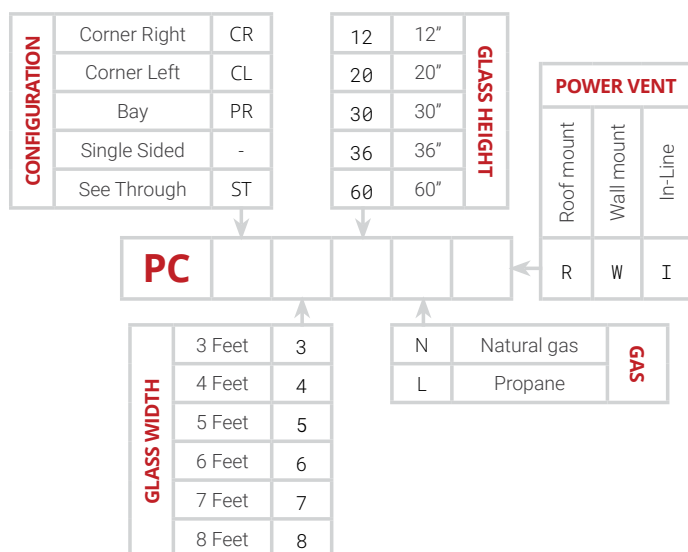
- Details on system wiring, power requirements and the Montigo Prodigy control panel can be found in Section 5.
- See the overviews of system components and connections in Figures 2-4.

## PRODIGY SPECIFICATIONS

|                                      | PC3**  | PC4**  | PC5**  | PC6**  | PC7**  | PC8**  |
|--------------------------------------|--|--|--|--|--|--|
| MAXIMUM INPUT NATURAL GAS (BTU/ HR)  | 40,000   | 50,000   | 75,000   | 88,000   | 100,000  | 112,000  |
| MAX INPUT PROPANE (BTU/HR)           | 31,000   | 52,000   | 64,000   | 78,000   | 105,000  | 120,000  |
| REQUIRED B-VENT                      | 8"   | 10"  | 10"  | 10"  | 10"  | 12"  |
| SIZE OF INTAKES                      | 2 x 6"   | 2 x 8"   | 2 x 8"   | 2 x 8"   | 2 x 8"   | 2 x 10"  |
| TOTAL EQUIVALENT FREE AREA OF INTAKE | 56.52 sq.inches  | 100.48 sq.inches   | 100.48 sq.inches   | 100.48 sq.inches   | 100.48 sq.inches   | 157 sq. inches   |
| CFM                                  | 420  | 560  | 700  | 840  | 980  | 1120   |
| ELECTRICAL REQUIREMENTS              | Single Phase 200-240VAC + Neutral, 15 A, dedicated circuit | Single Phase 200-240VAC + Neutral, 15 A, dedicated circuit | Single Phase 200-240VAC + Neutral, 15 A, dedicated circuit | Single Phase 200-240VAC + Neutral, 15 A, dedicated circuit | Single Phase 200-240VAC + Neutral, 15 A, dedicated circuit | Single Phase 200-240VAC + Neutral, 15 A, dedicated circuit |
| COMPLIANCE                           | ANSI Z21.50-2016 / CSA 2.22-2016                           | ANSI Z21.50-2016 / CSA 2.22-2016                           | ANSI Z21.50-2016 / CSA 2.22-2016                           | ANSI Z21.50-2016 / CSA 2.22-2016                           | ANSI Z21.50-2016 / CSA 2.22-2016                           | ANSI Z21.50-2016 / CSA 2.22-2016                           |
| CONTROL PANEL MODEL NUMBER           | PCGCP1-2-05-DD   | PCGCP1-2-05-DD   | PCGCP1-2-05-DD   | PCGCP1-2-05-DD   | PCGCP1-2-05-DD   | PCGCP1-2-05-DD   |
| POWERVENT ROOF                       | PCSBFPV-R03-08   | PCSBFPV-R03-10   | PCSBFPV-R03-10   | PCSBFPV-R03-10   | PCSBFPV-R03-10   | PCSBFPV-R03-12   |
| POWERVENT WALL                       | PCSBFPV-W03-08   | PCSBFPV-W03-10   | PCSBFPV-W03-10   | PCSBFPV-W03-10   | PCSBFPV-W03-10   | PCSBFPV-W03-12   |
| POWERVENT INLINE                     | PCINGPV-L03-08   | PCINGPV-L03-10   | PCINGPV-L03-10   | PCINGPV-L03-10   | PCINGPV-L03-10   | PCINGPV-L03-12   |

\*\*Specifications apply to all glass heights

## Prodigy Code Breakdown



## Prodigy Burner and Venting Size

### BURNER TYPE

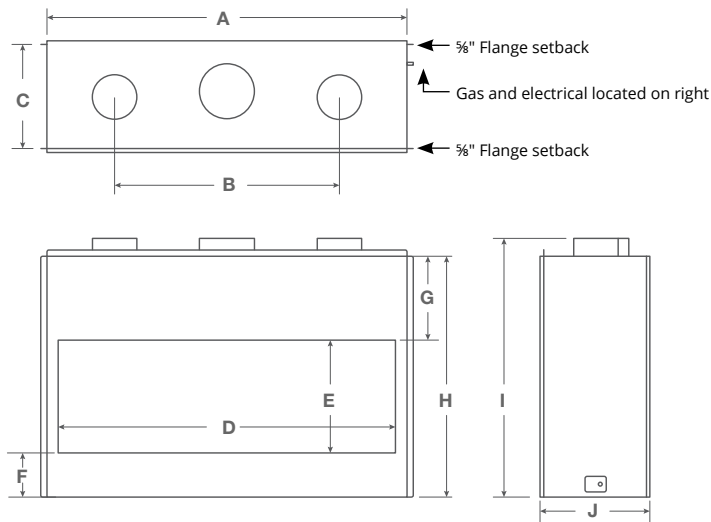
|         | 12" HIGH | 20" HIGH | 30" HIGH | 36" HIGH | 60" HIGH |
|---------|----------|----------|----------|----------|----------|
| 3' LONG | Ribbon   | Ribbon   | Ribbon   | Ribbon   | Ribbon   |
| 4' LONG | Ribbon   | Hi-low   | Hi-low   | Hi-low   | Hi-low   |
| 5' LONG | Ribbon   | Hi-low   | Hi-low   | Hi-low   | Hi-low   |
| 6' LONG | Ribbon   | Hi-low   | Hi-low   | Hi-low   | Hi-low   |
| 7' LONG | Ribbon   | Hi-low   | Hi-low   | Hi-low   | Hi-low   |
| 8' LONG | Ribbon   | Hi-low   | Hi-low   | Hi-low   | Hi-low   |

### INTAKE / EXHAUST SIZE

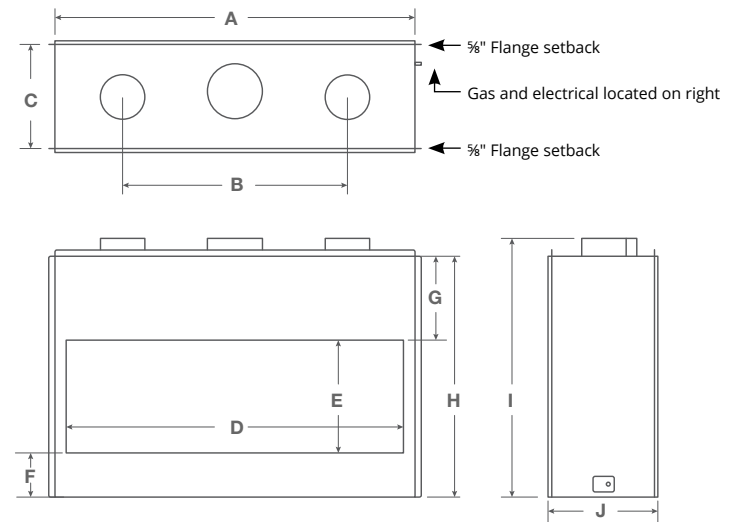
|    | 12" HIGH |      | 20" HIGH |      | 30" HIGH |      | 36" HIGH |      | 60" HIGH |      |
|----|----------|------|----------|------|----------|------|----------|------|----------|------|
|    | INT.     | EXH. | INT.     | EXH. | INT.     | EXH. | INT.     | EXH. | INT.     | EXH. |
| 3' | 2 x 6"   | 8"   | 2 x 6"   | 8"   | 2 x 6"   | 8"   | 2 x 6"   | 8"   | 2 x 6"   | 8"   |
| 4' | 2 x 8"   | 10"  | 2 x 8"   | 10"  | 2 x 8"   | 10"  | 2 x 8"   | 10"  | 2 x 8"   | 10"  |
| 5' | 2 x 8"   | 10"  | 2 x 8"   | 10"  | 2 x 8"   | 10"  | 2 x 8"   | 10"  | 2 x 8"   | 10"  |
| 6' | 2 x 8"   | 10"  | 2 x 8"   | 10"  | 2 x 8"   | 10"  | 2 x 8"   | 10"  | 2 x 8"   | 10"  |
| 7' | 2 x 8"   | 10"  | 2 x 8"   | 10"  | 2 x 8"   | 10"  | 2 x 8"   | 10"  | 2 x 8"   | 10"  |
| 8' | 2x10"    | 12"  | 2x10"    | 12"  | 2x10"    | 12"  | 2x10"    | 12"  | 2x10"    | 12"  |

# Section 1: Product Dimensions

## Single sided dimensions



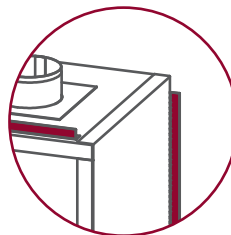
## See-through dimensions



|   | AIR INTAKE | EXHAUST | A                 | B  | C                | D                | E                  | F                | G                | H                               | I                                | J                | K                 | L                | M                 |
|---|------------|---------|-------------------|----|------------------|------------------|--------------------|------------------|------------------|---------------------------------|----------------------------------|------------------|-------------------|------------------|-------------------|
| 8 | 2X10       | 12"     | 100 $\frac{1}{4}$ | 60 | 18 $\frac{5}{8}$ | 95 $\frac{1}{2}$ | 12, 20, 30, 36, 60 | 8 $\frac{1}{8}$  | 15 $\frac{1}{8}$ | 23 $\frac{3}{4}$ + Glass Height | 26 $\frac{3}{16}$ + Glass Height | 19 $\frac{7}{8}$ | 103 $\frac{1}{2}$ | 99 $\frac{3}{4}$ | 103 $\frac{7}{8}$ |
| 7 | 2X8        | 10"     | 88 $\frac{1}{4}$  | 56 |                  | 83 $\frac{1}{2}$ |                    |                  |                  |                                 |                                  |                  | 91 $\frac{1}{2}$  | 87 $\frac{3}{4}$ | 91 $\frac{1}{8}$  |
| 6 | 2X8        | 10"     | 76 $\frac{1}{4}$  | 48 |                  | 71 $\frac{1}{2}$ |                    |                  |                  |                                 |                                  |                  | 79 $\frac{1}{2}$  | 75 $\frac{3}{4}$ | 79 $\frac{7}{8}$  |
| 5 | 2X8        | 10"     | 64 $\frac{1}{4}$  | 40 |                  | 59 $\frac{1}{2}$ |                    |                  |                  |                                 |                                  |                  | 67 $\frac{1}{2}$  | 63 $\frac{3}{4}$ | 67 $\frac{7}{8}$  |
| 4 | 2X8        | 10"     | 52 $\frac{1}{4}$  | 32 |                  | 47 $\frac{1}{2}$ |                    |                  |                  |                                 |                                  |                  | 55 $\frac{1}{2}$  | 51 $\frac{1}{4}$ | 55 $\frac{7}{8}$  |
| 3 | 2X6        | 8"      | 40 $\frac{1}{4}$  | 24 | 35 $\frac{1}{2}$ | 43 $\frac{1}{2}$ | 39 $\frac{3}{4}$   | 43 $\frac{7}{8}$ |                  |                                 |                                  |                  |                   |                  |                   |

### FLANGE DIMENSIONS

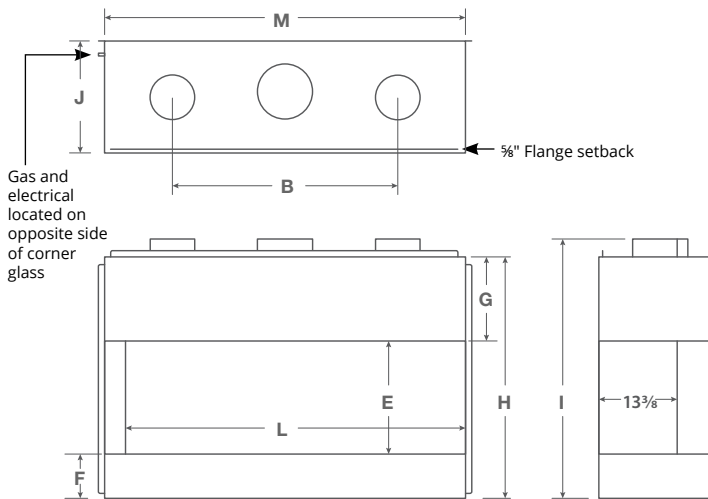
1" mounting flanges are removable and vary in location based on the unit configuration. Flanges on the Single sided and See through units are set back 5/8". Additionally, the flange on the top of all Prodigy configurations is set back 5/8".



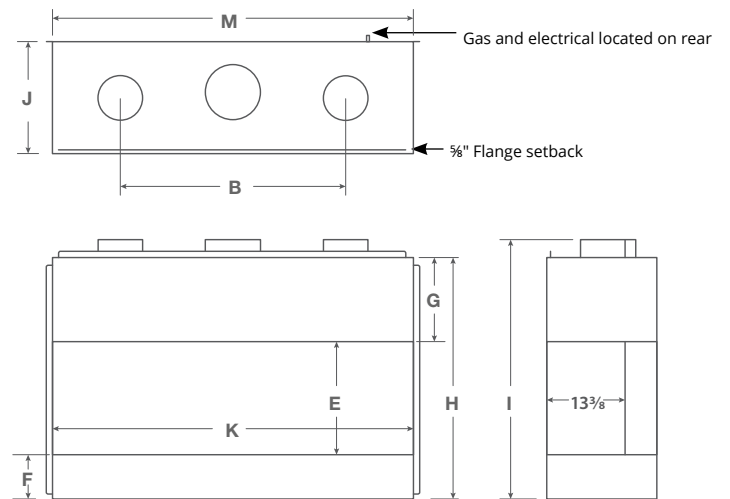
**NOTICE**

Dimensions shown for corner right unit, dimensions are the same for corner left configuration. Gas and electrical connections will always be opposite the corner side.

**Corner Dimensions**



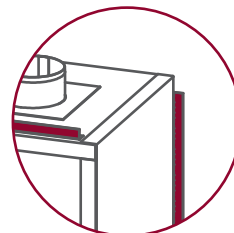
**Bay Dimensions**



|   | AIR INTAKE | EXHAUST | A     | B   | C    | D    | E                   | F    | G    | H                   | I                   | J    | K     | L    | M     |
|---|------------|---------|-------|-----|------|------|---------------------|------|------|---------------------|---------------------|------|-------|------|-------|
| 8 | 2X10       | 12"     | 100¼" | 60" | 18¾" | 95½" | 12, 20, 30, 36, 60" | 8⅞"  | 15⅞" | 23¼" + Glass Height | 26⅜" + Glass Height | 19⅞" | 103½" | 99¾" | 103⅞" |
| 7 | 2X8        | 10"     | 88¼"  | 56" |      | 83½" |                     |      |      |                     |                     |      | 91½"  | 87¾" | 91⅞"  |
| 6 | 2X8        | 10"     | 76¼"  | 48" |      | 71½" |                     |      |      |                     |                     |      | 79½"  | 75¾" | 79⅞"  |
| 5 | 2X8        | 10"     | 64¼"  | 40" |      | 59½" |                     |      |      |                     |                     |      | 67½"  | 63¾" | 67⅞"  |
| 4 | 2X8        | 10"     | 52¼"  | 32" |      | 47½" |                     |      |      |                     |                     |      | 55½"  | 51¾" | 55⅞"  |
| 3 | 2X6        | 8"      | 40¼"  | 24" | 35½" | 43½" | 39¾"                | 43⅞" |      |                     |                     |      |       |      |       |

**FLANGE DIMENSIONS**

1" mounting flanges are removable and vary in location based on the unit configuration. Flanges on the Single sided and See through units are set back 5/8". Additionally, the flange on the top of all Prodigy configurations is set back 5/8".



## Section 2: Power vents

### Installing the Power Vent Termination

- Frame the chase for the Power Vent Termination to the dimensions shown in the power vent section.
- Secure the termination and its frame using appropriately rated fasteners.

#### ALLOWABLE EXHAUST VENT RUNS

| MIN VENT RUN | MAX VENT RUN             | ELBOWS  |
|--------------|--------------------------|---------|
| 3'           | 80' (Including 7 elbows) | 7 @ 90° |

#### ALLOWABLE EXHAUST DOWNWARD VENT RUN

FOR EVERY 1' IN DOWNWARD VENT, DEDUCT 5' FROM TOTAL ALLOWABLE VENT RUN (MAX. OF 8' TOTAL DOWNWARD)

#### ALLOWABLE INTAKE VENT RUNS (B OR C VENT)

| MIN VENT RUN | MAX VENT RUN             | ELBOWS  |
|--------------|--------------------------|---------|
| 3'           | 40' (Including 3 elbows) | 3 @ 90° |

- If more than 7 elbows are required, the maximum allowable vent run must be decreased by 20' for each additional elbow. For example, a vent run with 9x 90° elbows has a maximum vent run distance of 40 feet.
- Should your vent run fall outside of the parameters shown, please contact a Montigo representative to discuss other options.

### Roof or Wall Mount Power Vent Installation

- Prodigy series fireplaces are certified for use with any UL listed type B venting components (B-Vent required for flue gas only). Use of other non certified parts will void the Montigo warranty, and may impede the operation of the fireplace.
- The vent run should not exceed distances described in allowable exhaust table. If your vent run does not meet these requirements please contact your local Montigo representative.
- Install components and fittings using the clearances specified by the B-Vent manufacturer.
- All joints must be secured as per the instructions provided by the B-Vent manufacturer.
- The exhaust portion of a vent termination must not be recessed in a wall cavity.
- Horizontal runs must be supported by a minimum of three supports per 10 feet of venting.
- It is important that the location of the power vent motor is not exposed to a downfall of water in excess of the standard rain fall.
- Before installing the termination or venting, check to ensure the planned termination location is acceptable.

### Combined combustion air ducts

Combining combustion air ducts is sometimes required to facilitate field installation of the Prodigy models.

This is easily done when the same equivalent free air area is maintained or exceeded.

For example find the equivalent single air duct required for two 8" intake. This requires 50.3 inches per 8" round an equivalent single duct would require 100.6 square inches of free air area. The equivalent round duct for this would be 12" diameter.

| COMMON COLLAR SIZES (IN DIAMETER) | AREA (IN SQ) |
|-----------------------------------|--------------|
| 4                                 | 12.6         |
| 5                                 | 19.6         |
| 6                                 | 28.3         |
| 8                                 | 50.3         |
| 10                                | 78.5         |
| 12                                | 113.1        |
| 14                                | 153.9        |
| 16                                | 201.1        |

A transitional plenum or wye could be used above the unit and the two single 8" ducts can run from the plenum/wye to the top of the unit and the vent to the outside in 12" diameter duct.

### Inline Power Vent Installation

#### Installation from fireplace to PV (negative pressure system)

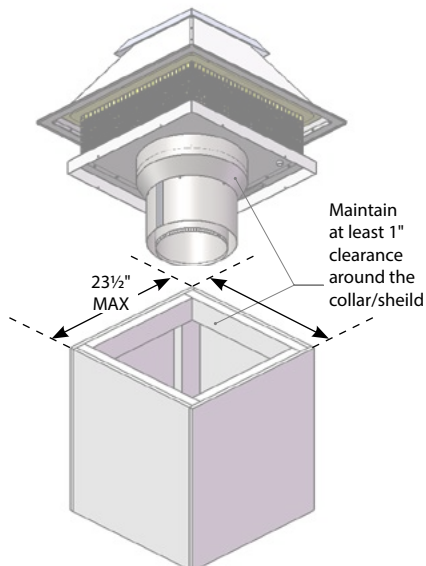
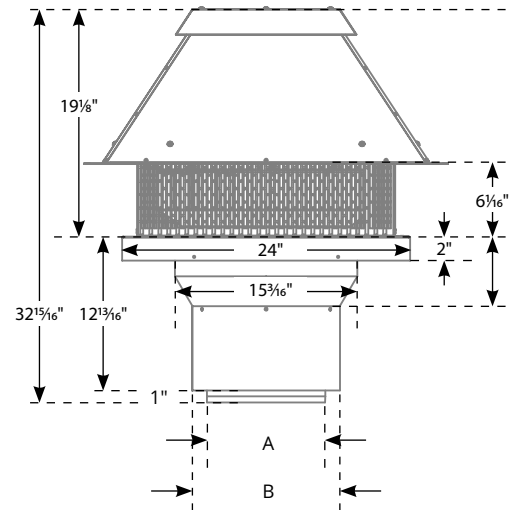
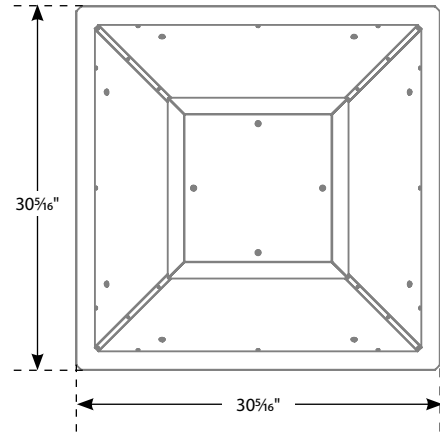
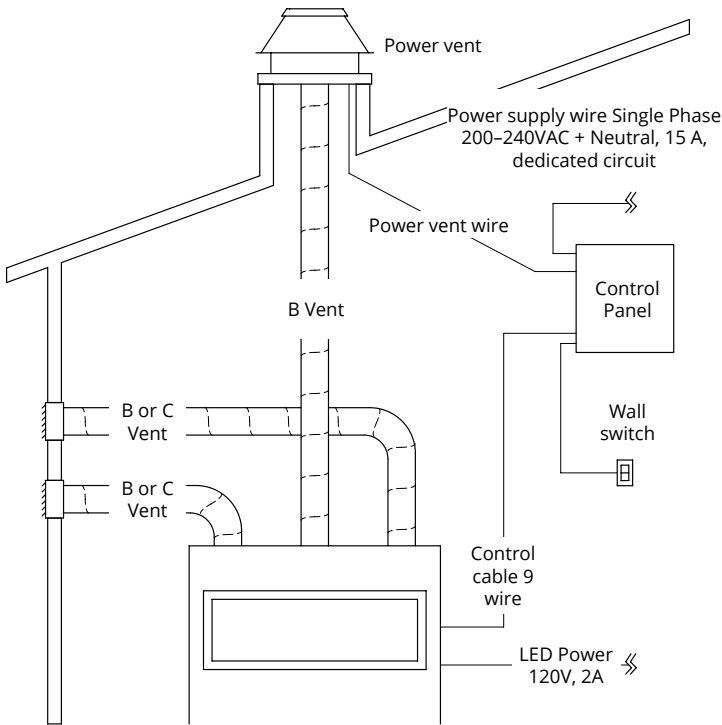
- Prodigy series fireplaces are certified for use with any approved UL certified type B venting components. Use of other non-certified parts will void the Montigo warranty, and may impede the operation of the fireplace.
- The vent run should not exceed distances described in Table. If your vent run does not meet these requirements please contact your local Montigo representative.
- Install components and fittings using the clearances specified by the B-Vent manufacturer.
- All joints must be secured as per the instructions provided by the B-Vent manufacturer.
- Horizontal runs must be supported by a minimum of three supports per 10 feet of venting.
- Select a location for the power vent that will permit an access panel for future maintenance work.
- Ensure access panel is large enough for the motor to be accessed in case it ever must be removed.
- The power vent can be mounted to any solid non-combustible surface.
- Anchoring bolts for the power vent should be rated for a minimum of 300 lbs each and be 1/4" diameter minimum.
- If suspending the power vent, some bracing mechanism should be designed to prevent any lateral movement of the equipment.

#### Installation from the PV to building exterior (positive pressure):

- Beyond the inline power vent, venting must be positive pressure rated with all joints sealed.
- For runs up to 30', use Montigo VPIF piping. For runs over 30' use a UL listed sealed venting system.
- The exhaust portion of a vent termination must not be recessed in a wall cavity.
- Horizontal runs must be supported by a minimum of three supports per 10 feet of venting.
- The flue gas outlet should be a louver box or termination that has equivalent free air in square inches as that of the flue collar
- Clearance to combustibles around Montigo VPIF vent is 1".

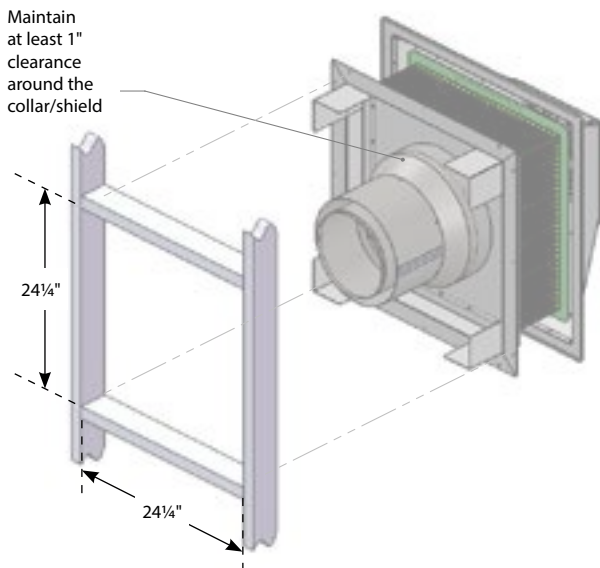
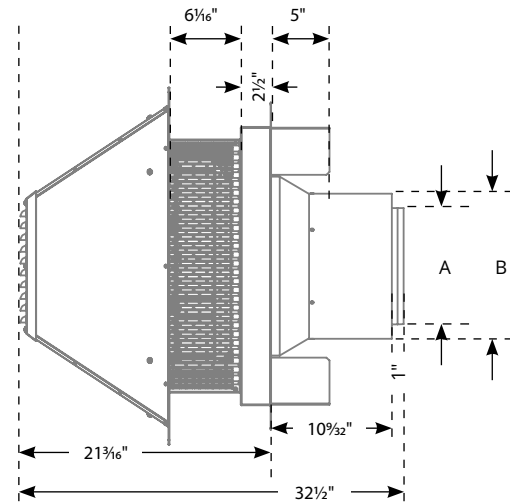
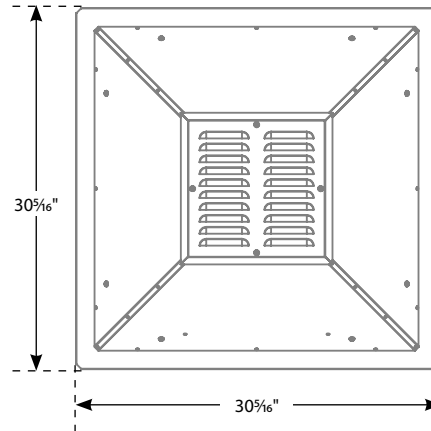
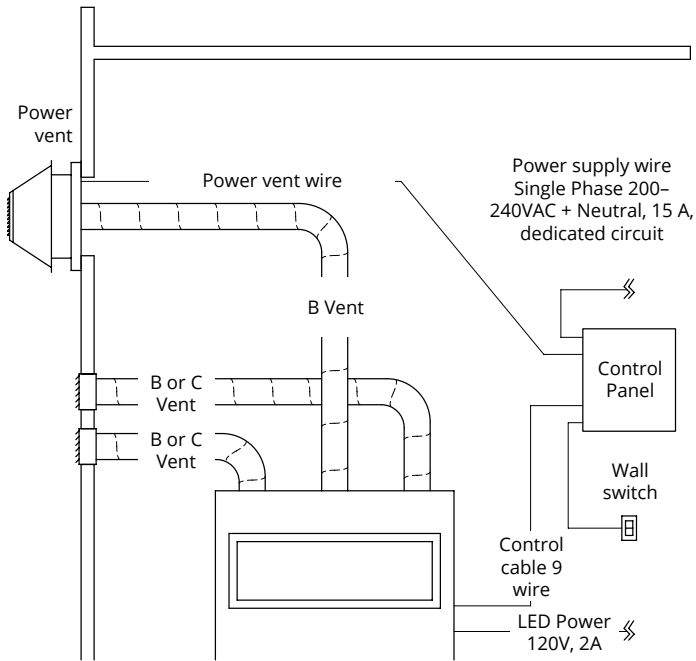


## Roof Mounted



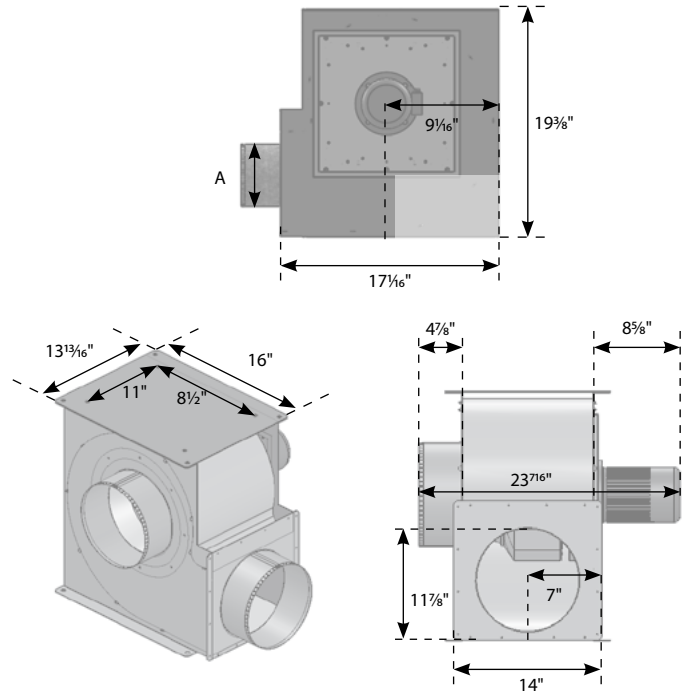
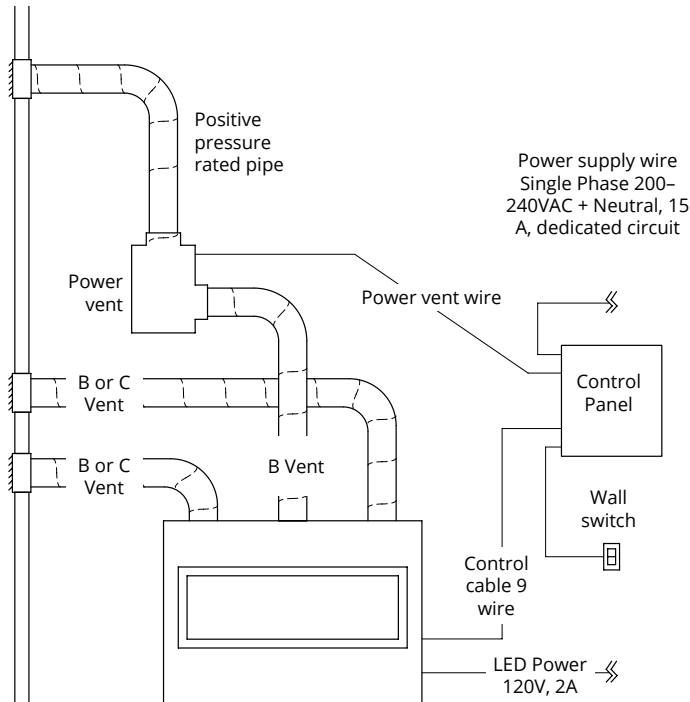
| MODEL SIZE | 3'       | 4'       | 5'       | 6'       | 7'       | 8'       |
|------------|----------|----------|----------|----------|----------|----------|
| 'A'        | 7 7/8"   | 9 7/8"   | 9 7/8"   | 9 7/8"   | 9 7/8"   | 11 7/8"  |
| 'B'        | 10 5/16" | 12 5/16" | 12 5/16" | 12 5/16" | 12 5/16" | 14 5/16" |

## Wall Mounted



| MODEL SIZE | 3'                                | 4'                                | 5'                                | 6'                                | 7'                                | 8'                                |
|------------|-----------------------------------|-----------------------------------|-----------------------------------|-----------------------------------|-----------------------------------|-----------------------------------|
| 'A'        | 7 <sup>7</sup> / <sub>8</sub> "   | 9 <sup>7</sup> / <sub>8</sub> "   | 9 <sup>7</sup> / <sub>8</sub> "   | 9 <sup>7</sup> / <sub>8</sub> "   | 9 <sup>7</sup> / <sub>8</sub> "   | 11 <sup>7</sup> / <sub>8</sub> "  |
| 'B'        | 10 <sup>5</sup> / <sub>16</sub> " | 12 <sup>5</sup> / <sub>16</sub> " | 12 <sup>5</sup> / <sub>16</sub> " | 12 <sup>5</sup> / <sub>16</sub> " | 12 <sup>5</sup> / <sub>16</sub> " | 14 <sup>5</sup> / <sub>16</sub> " |

## In-Line Mounted



\*NEVER INSTALL THE MOTOR WITH ITS SHAFT VERTICALLY, THE MOTOR AXIS MUST BE HORIZONTAL

\*\* ENSURE ACCESS DOOR CAN OPEN AT LEAST 80 DEGREES

| MODEL SIZE | 3'     | 4'     | 5'     | 6'     | 7'     | 8'      |
|------------|--------|--------|--------|--------|--------|---------|
| 'A'        | 7 7/8" | 9 7/8" | 9 7/8" | 9 7/8" | 9 7/8" | 11 7/8" |

### **⚠ CAUTION**

**Never install the Power Vent motor pointing up or down.**

The Power Vent motor must always be installed in the horizontal plane. Additionally the Power Vent must be securely mounted in a manner which also allows the possibility for the access door to be opened. The Motor/Access Door must have at least 12" of additional clearance to be able to pull out the Motor/Access Door/Fan Wheel assembly for servicing. -The structure which the Power Vent is mounted to must be Non-Combustible Material Only.

## NOTICE

Maintain at least 1" clearance to combustibles all around the flue gas box. This flue gas box is only to be used with Montigo fireplace systems specifically approved by Montigo.

### Flue Gas Louvered Exhaust Termination

#### 8" Box

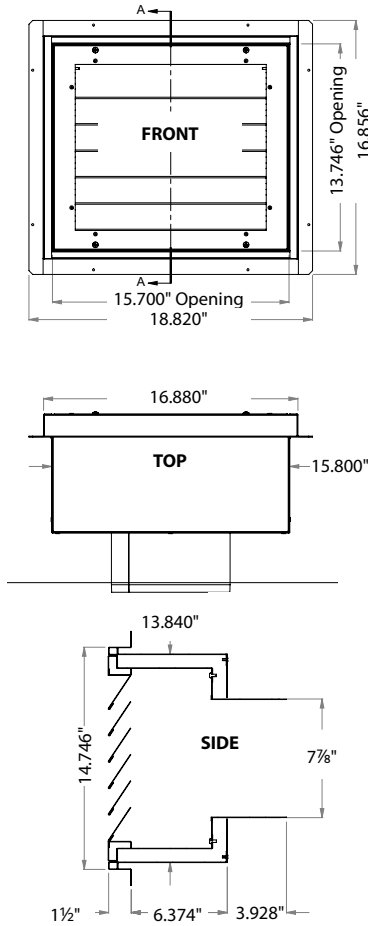


Figure 2. FGLVBI-08 Dimensions

#### 10" Box

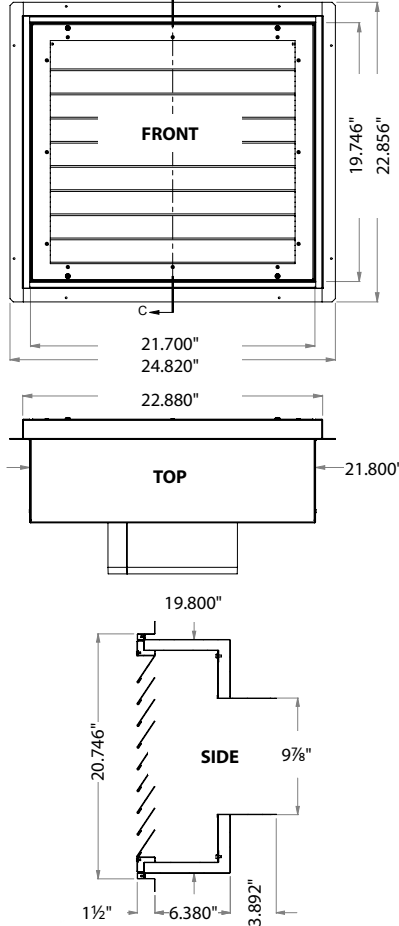


Figure 2.b FGLVBI-10 Dimensions

#### 12" Box

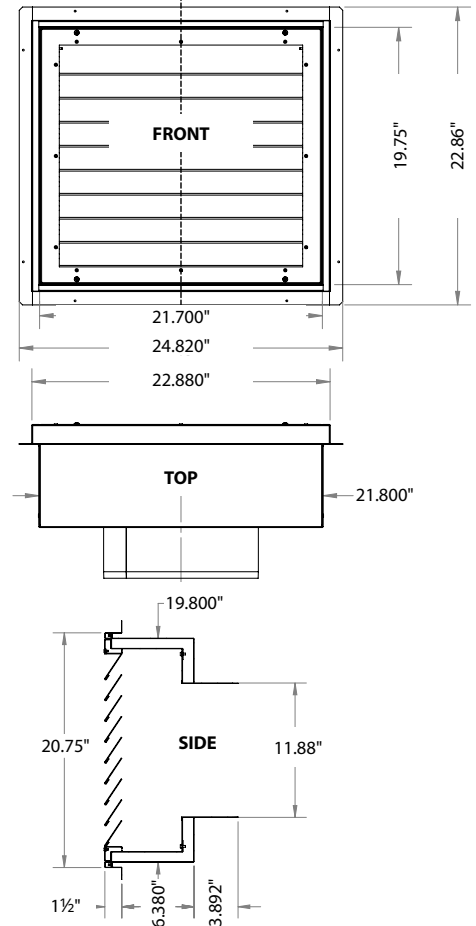


Figure 2.c FGLVBI-12 Dimensions

#### 8" Box Framing

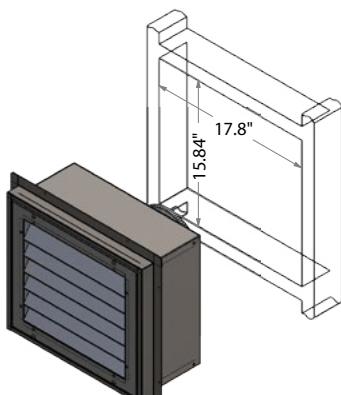


Figure 2.d FGLVBI-08 Framing Dimensions

#### 10" Box Framing

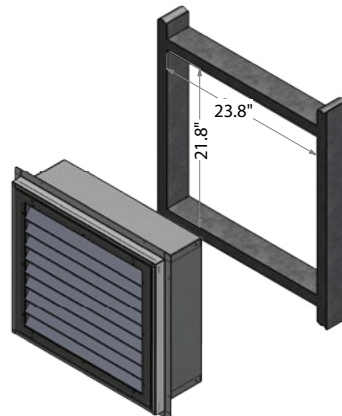


Figure 2.e FGLVBI-10 Framing Dimensions

#### 12" Box Framing

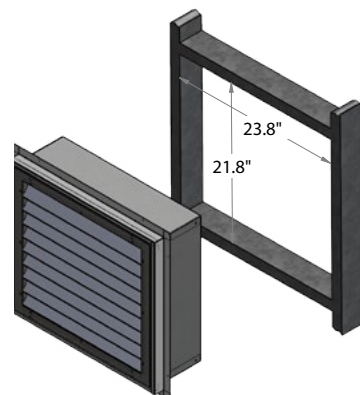


Figure 2.f FGLVBI-12 Framing Dimensions

## Combustion Air Louvered Intake

### 6" Box

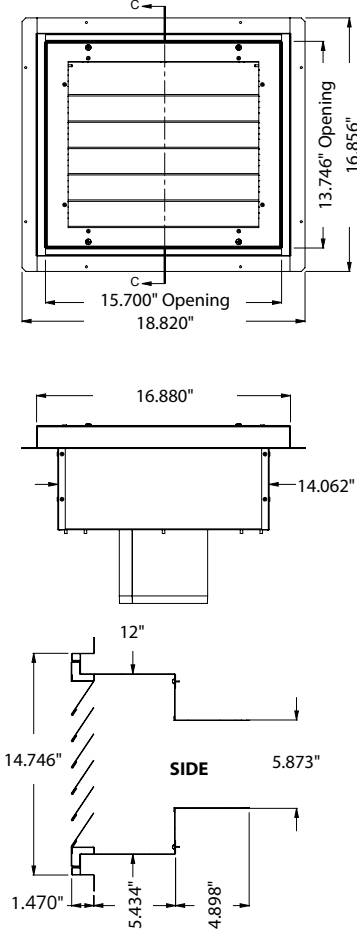


Figure 2. CALVB-06 Dimensions

### 8" Box

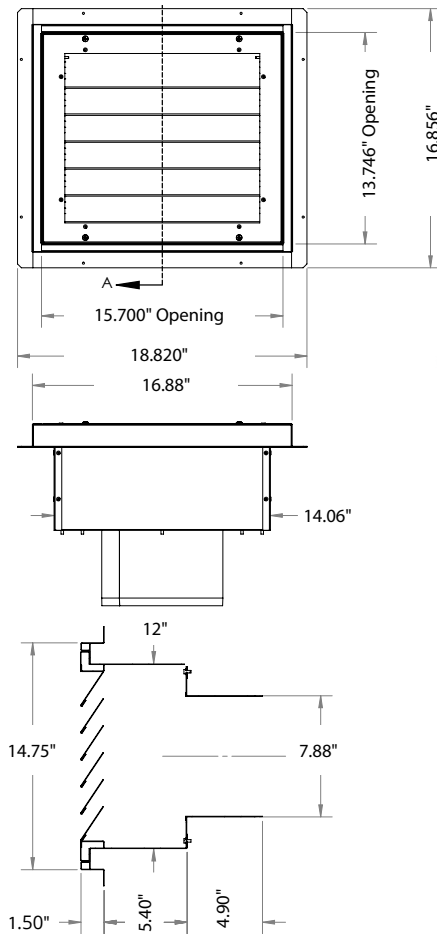


Figure 2.b CALVB-08 Dimensions

### 10" Box

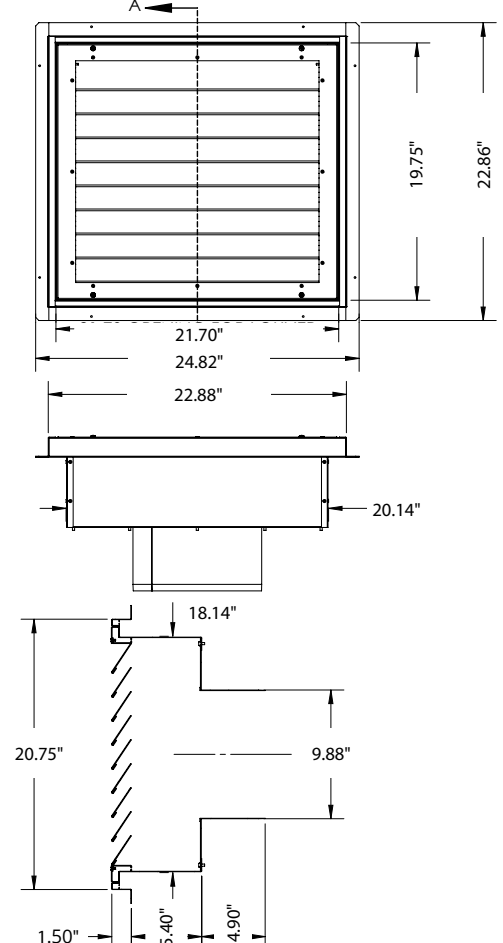


Figure 2.c CALVB-10 Dimensions

### 6" Box Framing

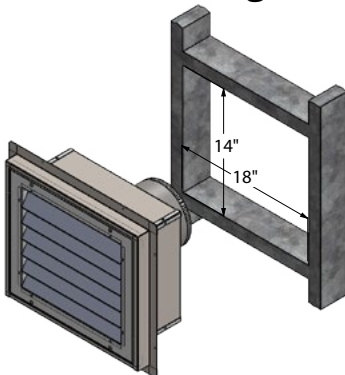


Figure 2.d CALVB-06 Framing Dimensions

### 8" Box Framing

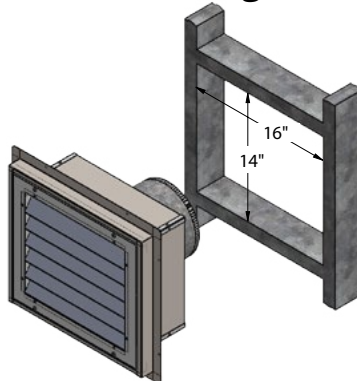


Figure 2.e CALVB-08 Framing Dimensions

### 10" Box Framing

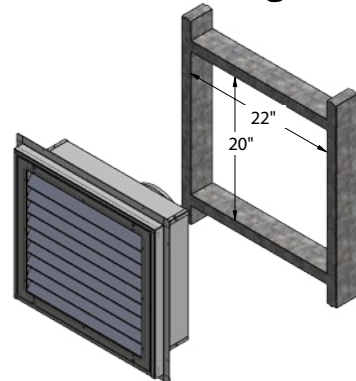


Figure 2.f CALVB-10 Framing Dimensions

## Section 3: Framing

### Clearance Requirements

To ensure the fireplace operates safely, all models must maintain the following clearances:

| Top | Rear | Sides | Floor | Glass † |
|-----|------|-------|-------|---------|
| 0"  | 0"   | 0"    | 0"    | 1/8"    |

Figure 3. Combustible Wall Clearances

#### NOTES:

† Distance from the edge of the finished materials to ensure removal of glass is possible for future cleaning and service

\*\*Type B-Vent pipe clearances must meet the B Vent manufacturer's recommendation.

### NOTICE

When constructing the framed opening, please ensure there is access to install the gas line when the unit is installed.

### Framing

Montigo recommends that framing is performed once the unit has been placed in its final location.

**STEP 1:** Frame around the fireplace as desired. Framing can be installed on all sides of the fireplace, or only on the top and sides if a thinner finishing material will be used. Ensure access is left for connections of gas, electrical and venting as required.

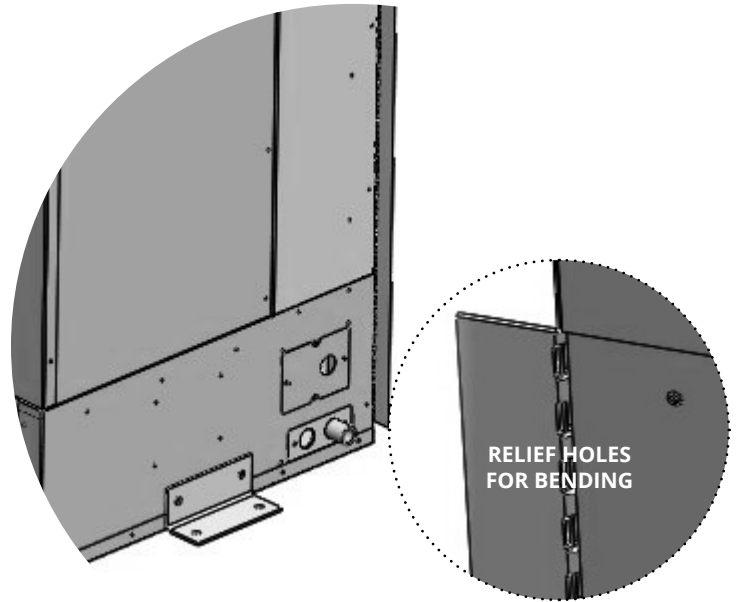
**STEP 2:** Complete all venting, gas, and electrical connections.

**STEP 3:** Backframe the unit with framing materials followed by finishing materials as required. Ensure access for service as required.

**STEP 4:** Refer to Section 5: Finishing.

### Framing Flanges

There are flanges on the outer edges of the Prodigy series fireplace that may be used to install framing around the fireplace. The use of these flanges is entirely optional; they are provided to simplify installation, and if they are not needed, they may be ignored or removed entirely.



### Framing Flange Locations

The location of the framing flanges depends on the configuration of the unit (corner, bay, single sided, see through). The below shows the location of the flanges depending on configuration. See Montigo website for detailed dimensional drawings.

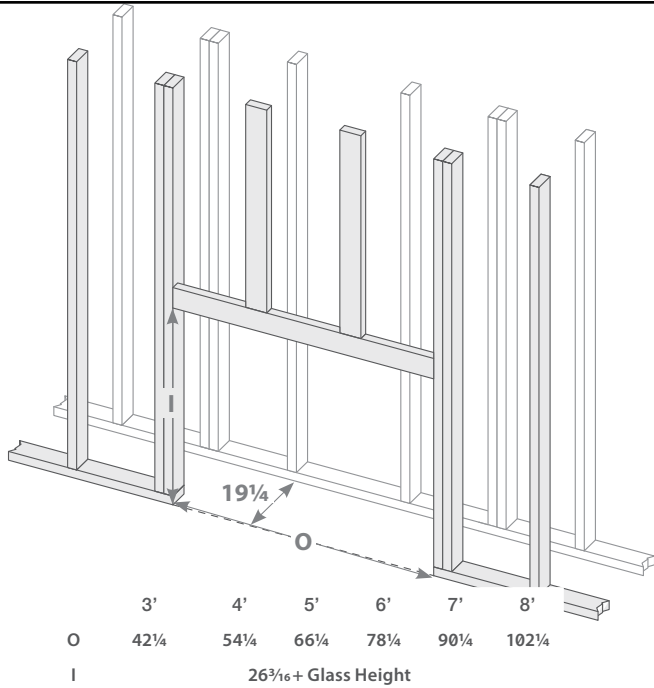
**SINGLE SIDED:** Front face top, back of unit left, back of unit right

**SEE THROUGH:** Front face top, back face top, back of unit left, back of unit right, front of unit left, front of unit right

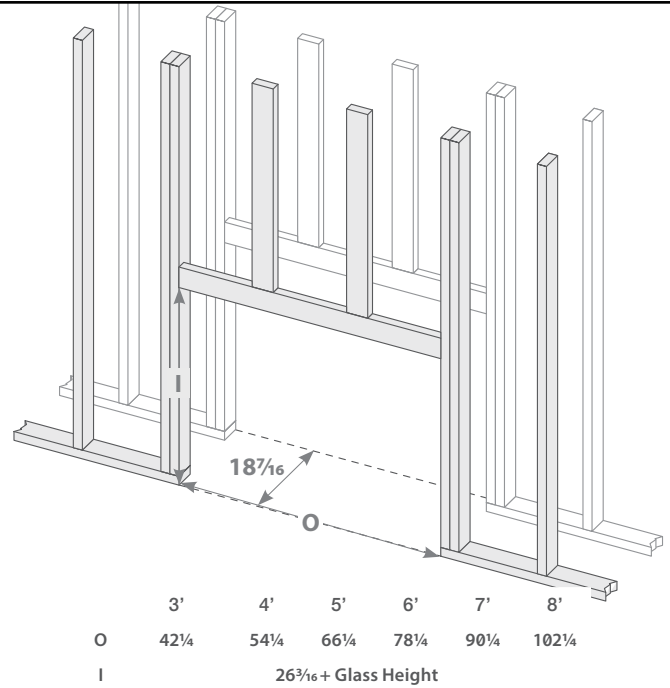
**BAY:** Front face top, back of unit left, back of unit right

**CORNER:** Front face top, back of unit left, back of unit right

## Single Sided Framing

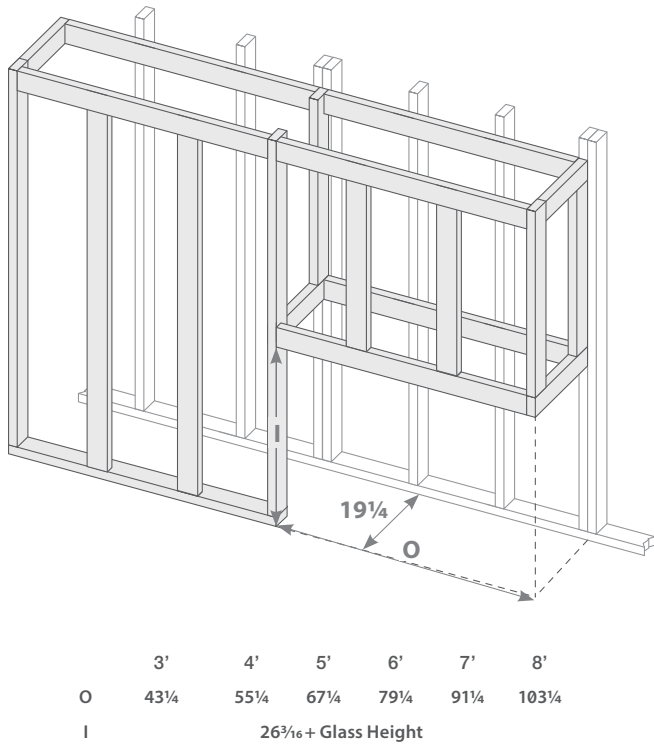


## See-Through Framing

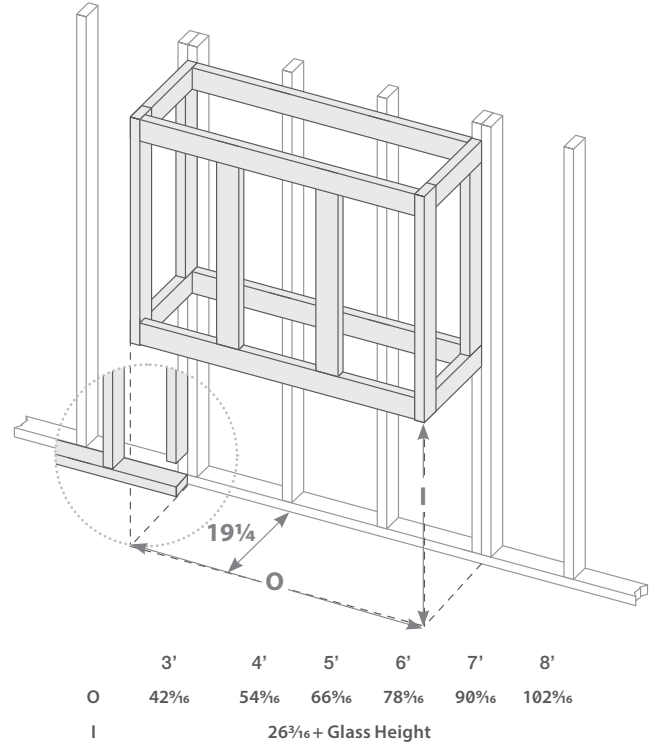


"O" dimension allows the unit to be pushed into place with the mounting flanges still installed. Once the unit is in place, add studs behind the mounting flanges to properly secure.

## Corner Framing



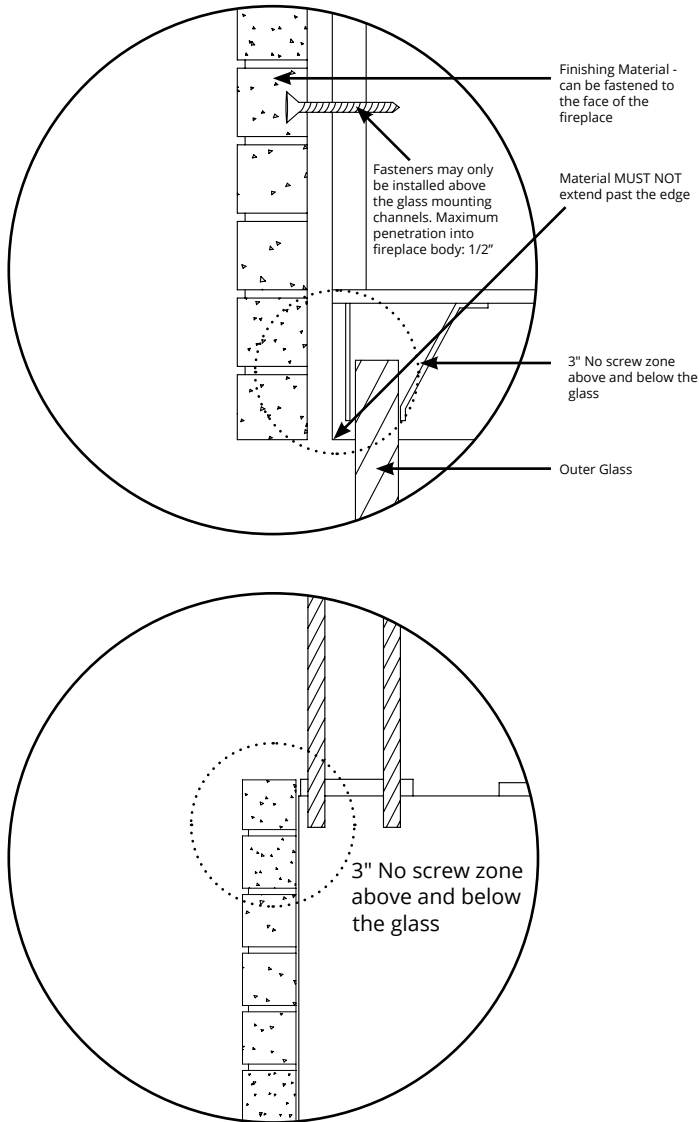
## Bay Framing



## Section 4: Finishing

### Finishing Around the Fireplace

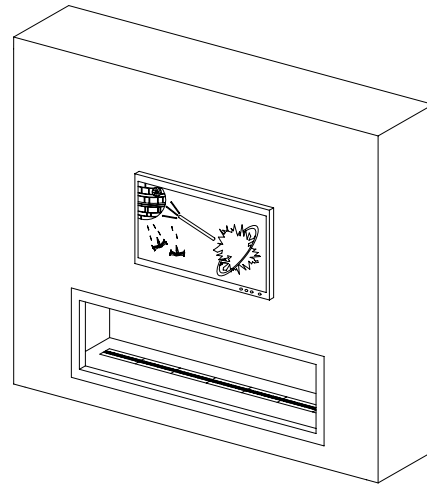
The following illustrates the suggested finishing method for the Prodigy



The Prodigy fireplace is designed for zero clearance installation. That is, combustible finishing materials may be installed directly against the fireplace body. These materials can be fastened directly to the fireplace provided the fasteners do not penetrate further than 1/2" into the unit or impede glass installation. To ensure glass can be safely removed for cleaning, it is recommended that flush finishing materials not extend more than 4" from the fireplace.

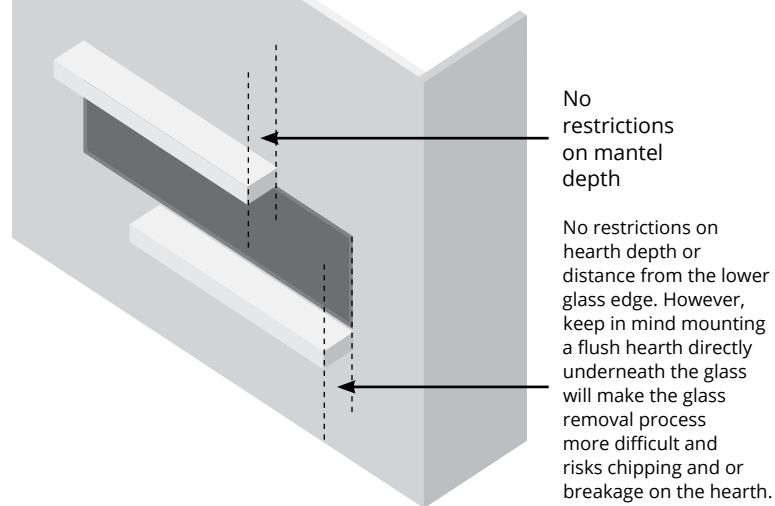
### Television Installation

Montigo does not require any special clearances to be maintained between a wall mounted television and the fireplace glass. Check the TV owner's manual for any manufacturer's required clearances.



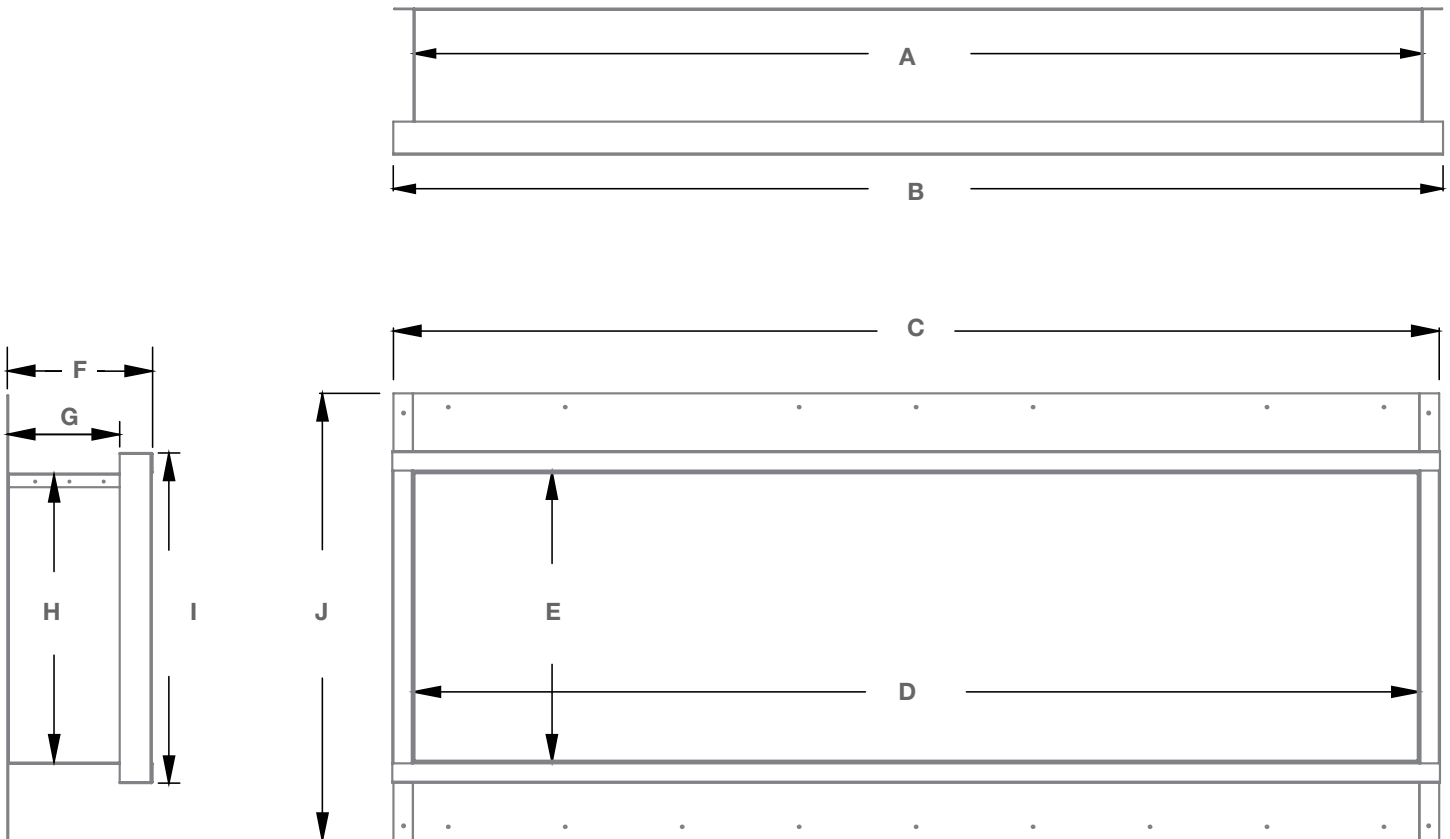
### Mantle and Hearth

Combustible or non-combustible mantels and hearths may be placed above/below the top of the glass viewing area. There are no restrictions on depth for mantels, for hearth depth please refer to finishing instructions.





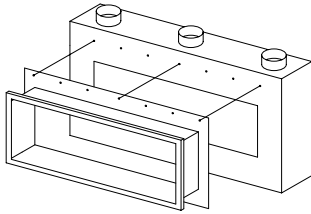
## Prodigy Indoor/Outdoor Kit Dimensions



**INDOOR/OUTDOOR KIT DIMENSIONS**

|   | 3'                  | 4'   | 5'   | 6'   | 7'   | 8'    |
|---|---------------------|------|------|------|------|-------|
| A | 37¼"                | 49¼" | 61¼" | 73¼" | 85¼" | 97¾"  |
| B | 40⅝"                | 52⅝" | 64⅝" | 76⅝" | 88⅝" | 100⅝" |
| C | 40"                 | 52"  | 64"  | 76"  | 88"  | 100"  |
| D | 37⅝"                | 49⅝" | 60⅝" | 72⅝" | 85⅝" | 97⅝"  |
| E | Glass Height + 1⅝"  |      |      |      |      |       |
| F | 10⅞"                |      |      |      |      |       |
| G | 8⅝"                 |      |      |      |      |       |
| H | Glass Height + 1⅜"  |      |      |      |      |       |
| I | 4⅝" + Glass Height  |      |      |      |      |       |
| J | 12½" + Glass Height |      |      |      |      |       |

## Prodigy Indoor/Outdoor Kit

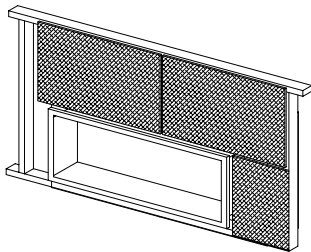
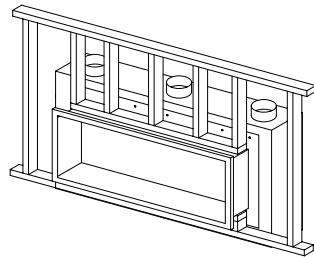


### Step 1- Mount Throat

Support the throat from the underside. Align the throat with the fireplace mounting holes and attach.

### Step 2- Frame

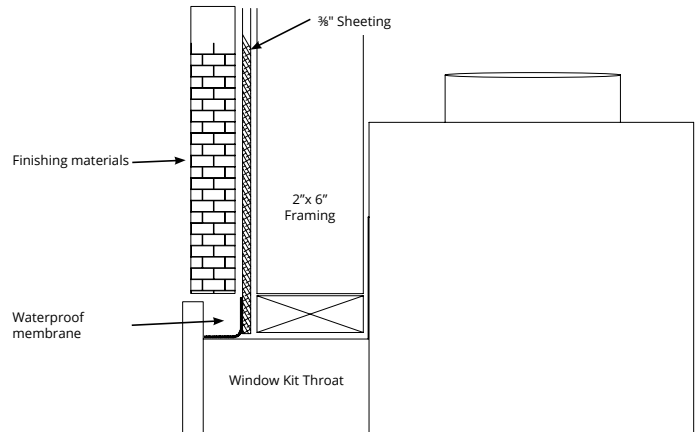
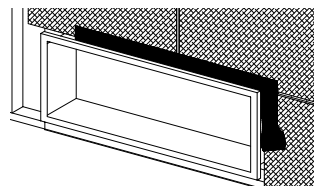
The window kit is designed to extend through an outer wall constructed of 2"x6" framing. Frame around the fireplace throat using 2"x6" material and keeping the framing tight with the fireplace body. The fireplace is a zero clearance appliance, so wood framing is acceptable.



### Step 3- Sheeting

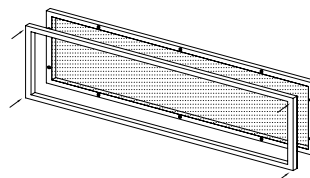
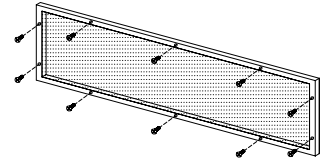
Attach 3/8" sheeting to 2"x6" framing.

**Step 4- Waterproof Membrane**  
Install a waterproof membrane (customer supplied) around the throat. Affix the membrane to both the sheeting and perpendicular to the throat.



### Step 5- Framed Glass

Attach the framed glass to the nutserts on the face of the throat.

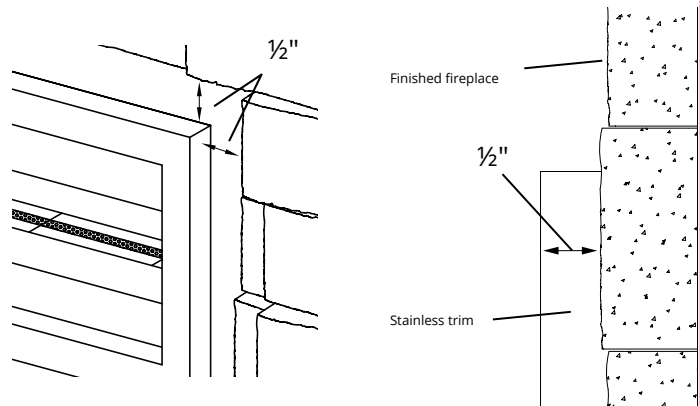


### Step 6- Stainless Trim

Install the stainless trim over the framed glass. The trim attaches magnetically to the fireplace, no other fasteners are required.

### Step 7- Finishing Around Fireplace

When installing finishing materials around the fireplace, leave a 1/2" gap between the stainless trim and any finishing materials so that the trim can be removed for cleaning and servicing.

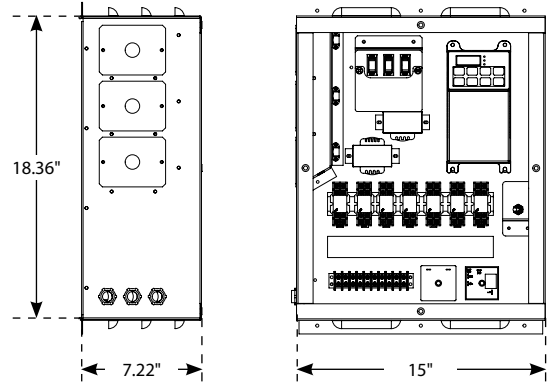


## Section 5: Wiring

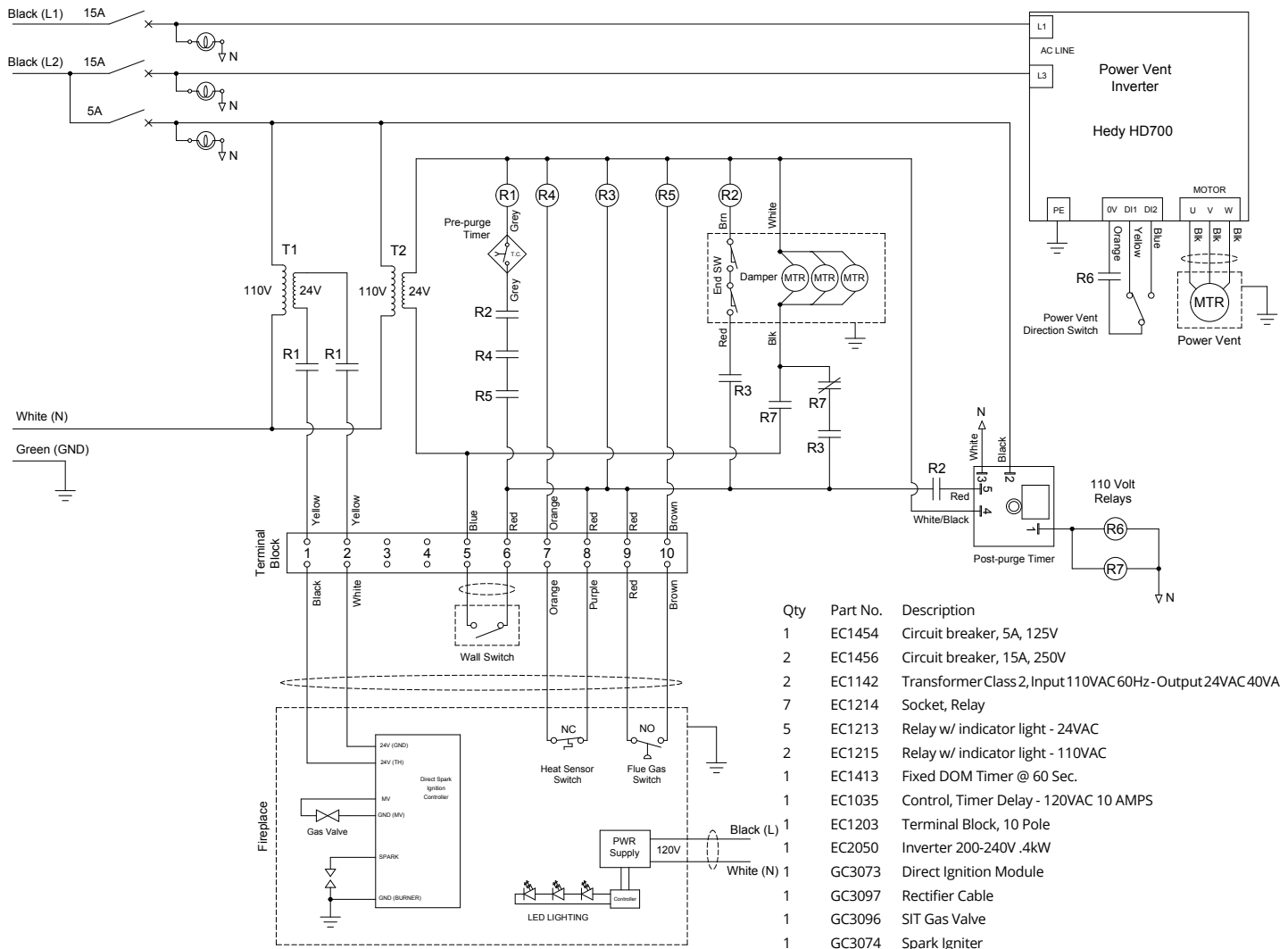
### Control Panel Installation

The control panel should be installed in a location that is accessible for start up and future service. The panel's electronic components can produce a whining sound, this should be considered when selecting the panel location. If noise from the panel is a concern, the panel should be placed in a room that can be sound proofed. It is not necessary for the panel to be in a line of sight from the fireplace, however, this can be helpful for servicing. PCGCP1-2-05-DD

|                            |  |
|----------------------------|--|
| Material:                  | 16 Gauge satin coated steel                                |
| Power Supply:              | Single Phase 200-240VAC + Neutral, 15 A, dedicated circuit |
| Circuit Breakers in Panel: | 15 Amps (Qty 2), 5 Amps (Qty 1)                            |
| Power Output to PV Motor:  | 0.5 hp - 3 Phase, 220 Volts, 2.8 Amps                      |
| Pre-purge:                 | 60 seconds   |
| Post-purge:                | 3 minutes  |
| Damper Power Supply:       | 24VAC, 40VA  |



**Panels must be surface mounted with a minimum 2" clearance on all sides of the panel to ensure adequate ventilation.**





## ⚠ CAUTION

Incorrect wiring may damage the motor and the fireplace will not function properly.

### Damper connections (if applicable)



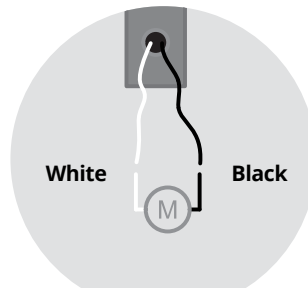
Wire colors from motor to damper wire terminal block may differ based on damper size

#### Connection Step 1

Open up the damper connection box on the side of the control panel to access the 5 wires for damper control. Connect all 5 wires with the matching colors from the damper cable.

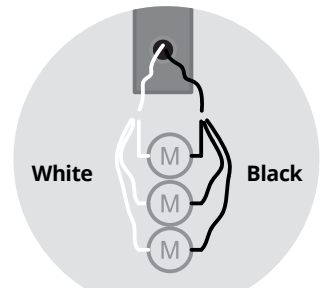
#### Connection Step 2

The white and black wires supply 24 VAC to the damper motor. Connect the black damper wire to the black connection box wire, and the white damper wire to the white connection box wire. For multiple dampers, connect power in parallel.



#### Single Damper Motor

The white and black wires are for the damper motors and should be matched for colour.

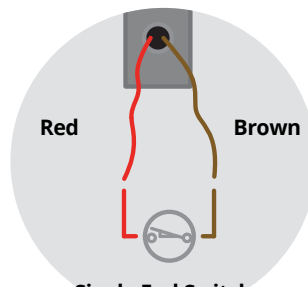


#### Multiple Damper Motors

For multiple damper motors, connect them in parallel; all white wires together and all black wires together.

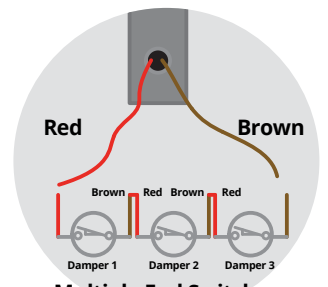
The red and brown wires connect to an end switch that will close when the damper has opened. Connect the brown damper wire to the connection box brown wire, and the red damper wire to the connection box red wire. For multiple dampers, connect the end switches in series. Red to brown, to red to brown.

The green wire is a ground connection and is used to bond the damper cable to the control panel.



#### Single End Switch

The red and brown wires are the end switch wires. If there is only one end switch, the wires should be matched red to red and brown to brown.



#### Multiple End Switches

The red and brown wires are the end switch wires. If there are multiple end switches, they need to be run in series with one another between the connection box red and brown wires.

## Electrical Connection Directions

### Connection Step 1

Connect the power vent module to the connection box labeled POWER VENT CONNECTION (second box from the top of the panel's left side). This is a three phase system that requires the installer to supply three hot wires and ground from the control panel to the power vent module.

### Connection Step 2

The control panel is supplied with 25 feet of 18 AWG/2 conductor low voltage wire that is coiled up on the side of the control panel. Connect these wires to a standard single pole wall switch. Do not apply any power to these wires. This wire may be replaced with a longer wire of the same gauge, type, and quality to a length of up to 150 feet.

### Connection Step 3

Connect power to the wires in the connection box labeled POWER SUPPLY 208V, 15 AMP (first box from the top of the panel's left side). This is a four wire system with two blacks (L1 and L2), white (neutral), and green (ground).

### Connection Step 4

Connect 120V power to the base of the fireplace to power the LED lighting inside the unit. This is a two wire connection consisting of a black (hot) and white (neutral) wire.

## ⚠ CAUTION

Connecting power to the panel before all the wiring is connected may damage the panel.

## ⚠ CAUTION

Incorrect wiring may damage the motor and the fireplace will not function properly.

## Section 6: Installing the gas line

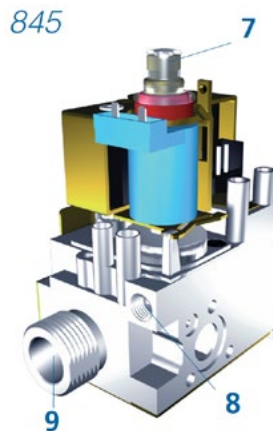
The gas connection (1/2" NPT) is located on the lower portion of the fireplace body. The manufacturer requires a service shut off valve located in an accessible location to isolate the gas supply. The gas line must be installed and tested for leaks before finishing the fireplace. The gas valve has a provision to remove a plug so that a hose barb fitting can be installed to check pressure.

**Natural Gas** requires a minimum inlet gas supply pressure of 5.5" W.C. and a manifold pressure of 3.5" W.C.

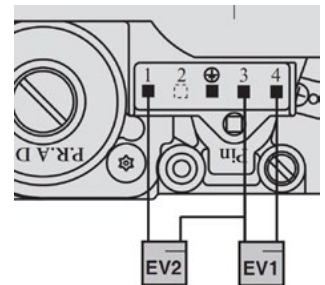
**Propane** requires a minimum inlet gas supply pressure of 11" W.C. and a manifold pressure of 10" W.C.

Maximum allowable inlet pressure for NG and Propane is 1/2 PSI.

**Note:** After gas line is connected, each *appliance connection, valve and valve train* must be checked while under normal operating pressure with either a liquid solution, or leak detection device, to locate any source of leakage. Tighten any areas where bubbling appears or leak is detected until bubbling stops completely or leak is no longer detected. **DO NOT** use a flame of any kind to test for leaks.



**Connection Diagram**

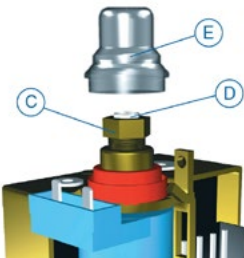


- 7 Gas outlet pressure modulator
- 8 Pilot outlet
- 9 Main gas outlet

### **WARNING**

If you do not follow these instructions exactly, a fire or explosion may result causing property damage, personal injury or loss of life.

#### OUTLET PRESSURE ADJUSTMENT



All adjustments must be made on the basis of the specific characteristics of the appliance. Check inlet and outlet pressure using the pressure test points provided. After testing, carefully seal test points with the provided screws. Recommended torque: 1.0 Nm. Disconnect pressure regulator connection "VENT" (if used). Remove the modulator plastic cap E.

- Maximum pressure: power the modulator in the maximum condition. Screw in the nut C to increase the outlet pressure and screw it out to decrease it. Use a 10 mm spanner.
- Minimum pressure: Turn off the power supply to the modulator and, keeping the nut C stationary, screw in the screw D to increase the pressure and screw it out to decrease it. Screwdriver 6 x 1 blade. Carefully put back the modulator plastic cap. Reconnect pressure regulator connection (if used).

**WARNING:** to ensure the correct operation of the modulator it is necessary that the plastic cap E is returned to its original location.

## FOR YOUR SAFETY - READ BEFORE LIGHTING

- A. This appliance is equipped with an ignition system that lights the pilot burner automatically. Do not attempt to light the pilot by hand.
- B. **BEFORE LIGHTING** smell all around the appliance area for gas. Be sure to smell next to the floor because some gas is heavier than air and will settle on the floor.

#### WHAT TO DO IF YOU SMELL GAS:

- Do not try to light any appliance.
- Do not touch any electrical switch; do not use any phone in your building.
- Immediately call your gas supplier from a neighbor's phone. Follow the gas supplier's instructions.
- If you cannot reach your gas supplier, call the Fire Department.
- C. Do not use this appliance if any part has been under water. Immediately call a qualified service technician to inspect the appliance and to replace any part of the control system, and any gas control which has been under water.

## Section 7: Start Up

### CAUTION

Make sure that all air is purged from the gas lines.

There are 7 relays in this panel that have a red LED in the bottom left corner of the transparent cube enclosure. When the red LED is illuminated, the relay is ON.

|                             |   |
|-----------------------------|---|
| R1 (Ignition System)        | The ignition system is POWERED                                      |
| R2 (End Switch)             | The end switch is CLOSED (damper open)                              |
| R3 (Wall Switch)            | The wall switch is turned ON  |
| R4 (Heat Sensor)            | The heat sensor switch is CLOSED                                    |
| R5 (Flue Gas)               | The flue gas proving switch is CLOSED (adequate draft in flue)      |
| R6 (Inverter to Power Vent) | The inverter has received a signal to power up the power vent motor |
| R7 (Damper Open)            | The damper is being held open during post-purge cycle               |

### CAUTION

R6 and R7 are 110V relays and are not interchangeable with 24V relays.

1. Ensure that all connections are made as per instructions.
2. Turn on the panel's circuit breakers.
3. The red lights in the breakers and the inverter display will illuminate.
4. Turn the wall switch ON.
5. The wall switch relay and heat sensor relay will light up, and the damper (optional) will start to open.
6. When the damper is open, the end switch relay will light and signal the inverter to start. If dampers are not installed, the end switch relay will light when the wall switch is turned on.
7. The inverter will ramp from 0 to its set speed, and the green RUN LED will illuminate.
8. Check the rotation of the power vent; there is an arrow on the power vent's housing that indicates the proper rotational direction.
9. If the power vent is spinning the wrong way, throw the reverse direction switch.

#### Reversing the Power Vent Motor

- Flip the reverse direction switch, regardless of current position.
  - The inverter will display the decreasing speed of the motor until it reaches 0.
  - The inverter will pause for 15 seconds.
  - The inverter will ramp from 0 to the last used speed, but in the reverse direction (indicated by a negative sign).
10. The flue gas relay is activated within 10 to 15 seconds of the power vent running at an adequate speed. If the flue gas relay is not activated after 30 seconds, increase the speed of the power vent.
  11. The ignition system relay will power up after the pre-purge time (60 seconds).
  12. The ignition system relay will supply power to the ignition module, which will simultaneously open the valve and start the spark igniter. Once the burner lights, the spark igniter will stop. If the burner doesn't light within 20 seconds, the ignition module will lockout. If the air movement of the system is too erratic and the flames aren't in contact with the igniter, the module will also lockout. To reset the module, cycle the wall switch.

## LED Remote Control Operation

Montigo's series fireplaces have integrated LED lighting installed beneath the burner tray. The LEDs are controlled by the included remote. The fireplace burner does not need to be lit for the LEDs to function.

The LEDs can be set to any solid color using the color wheel on the remote control, or to any of the 20 patterns listed below. The speed and brightness of the various functions can also be adjusted by the remote.

### LED Troubleshooting

The LEDs are pre-wired inside the control panel and fireplace; ensure that all wiring is connected before troubleshooting.

If the LEDs are lit but cannot be controlled by the remote, first change the remote's batteries.

If the remote still cannot control the LED lighting, you may need to pair the remote with the controller.

If the LEDs will not light, measure the voltage on the power supply's output (underneath burner tray), the output should be 24VDC.

If a portion of the LED strip displays a single color only, the LEDs must be replaced.

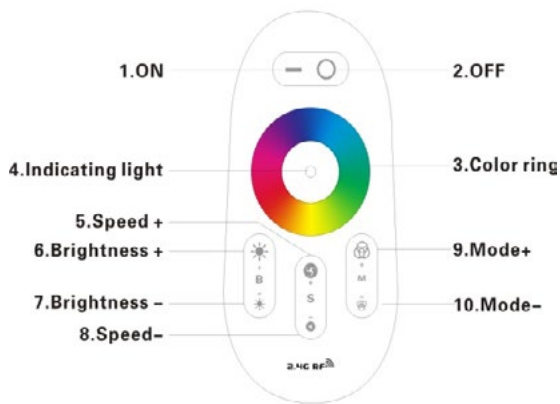


Figure 30. LED remote

| Item                      | Parameters     |
|---------------------------|----------------|
| Working Voltage           | AAA*2pcs(3V)   |
| Radio Frequency           | 2400-2483.5MHz |
| Modulate Method           | GFSK           |
| Transmit Power            | 6db            |
| Standby Power Consumption | 10uA           |
| Remote Distance           | 20-30m         |
| Dimension                 | 110×52×30mm    |

Figure 30.b Remote parameters

| #  | Mode  | Brightness State | Speed State  |
|----|---|------------------|--------------|
| 1  | Static white color                          | Adjustable       | Unadjustable |
| 2  | White color gradual changes                 | Adjustable       | Adjustable   |
| 3  | All colors gradual change                   | Adjustable       | Adjustable   |
| 4  | Red/green/ blue three colors gradual change | Adjustable       | Adjustable   |
| 5  | Seven colors jump to change                 | Adjustable       | Adjustable   |
| 6  | Three colors jump to change                 | Adjustable       | Adjustable   |
| 7  | Red/ green jumps to change                  | Adjustable       | Adjustable   |
| 8  | Red/blue jumps to change                    | Adjustable       | Adjustable   |
| 9  | Blue/green jumps to change                  | Adjustable       | Adjustable   |
| 10 | White color frequently blinks               | Adjustable       | Adjustable   |
| 11 | White color glitters                        | Adjustable       | Adjustable   |
| 12 | Red color frequently blinks                 | Adjustable       | Adjustable   |
| 13 | Red color glitters                          | Adjustable       | Adjustable   |
| 14 | Green color frequently blinks               | Adjustable       | Adjustable   |
| 15 | Green color glitters                        | Adjustable       | Adjustable   |
| 16 | Blue color frequently blinks                | Adjustable       | Adjustable   |
| 17 | Blue color glitters                         | Adjustable       | Adjustable   |
| 18 | Yellow color frequently blinks              | Adjustable       | Adjustable   |
| 19 | Yellow color glitters                       | Adjustable       | Adjustable   |
| 20 | Circulation mode                            |                  |              |

Figure 30.c Remote modes



## Pairing the Remote to the Module (Code Clearing and Code Matching)

Montigo ships the fireplace with a functional LED system, but, if you need to pair an alternate remote, follows these steps:

1. Switch off the power. Wait until power supply led indicator goes off.
2. Switch on again.



Figure 30.d Remote version 2.0

### For Version 2.0 LED Remote (Indicating light on color wheel is opaque.):

3. Within 3 seconds (after power supply indicator goes on) press S+ button.
4. To clear a remote's pairing, follow the same procedure, but hold the remote's speed- button until the fireplace LEDs flash 9 times.



Figure 30.d Remote version 3.0

### For Version 3.0 LED Remote (Indicating light on color wheel is dotted.):

3. Within 6 seconds (after power supply indicator goes on) press ON button and M- for two seconds.

#### NOTE:

One remote can control multiple fireplaces, but one fireplace can be paired with a maximum of 4 remotes.

#### NOTE:

If remote fails to pair with controller, remove batteries from remote and let it sit for 2 minutes (this way all residual power will be drained). Install batteries back and repeat pairing procedure.

## Inverter Operation

### INVERTER DISPLAY

The inverter's 4 digit display is used to communicate the drive's settings to the user. It is preset by the factory to display set speed.

### DISPLAY OPTIONS LEDES

These 3 LEDs indicate what value is being shown on the inverter's display. The Hz setting will display the unit's speed, the A setting will display the unit's current, and the V setting will display the unit's voltage. For ease of operation, the displayed value should be left on the Hz setting.

### RUN AND STOP BUTTONS

The wall switch performs the same function as these buttons. When the drive is running, the integrated RUN LED will be illuminated.

### UP/DOWN BUTTONS

These buttons are used to control the speed of the power vent and cool pack fans. The inverter's speed is preset, but will need to be adjusted during installation.

### DISPLAY MODE SELECTOR

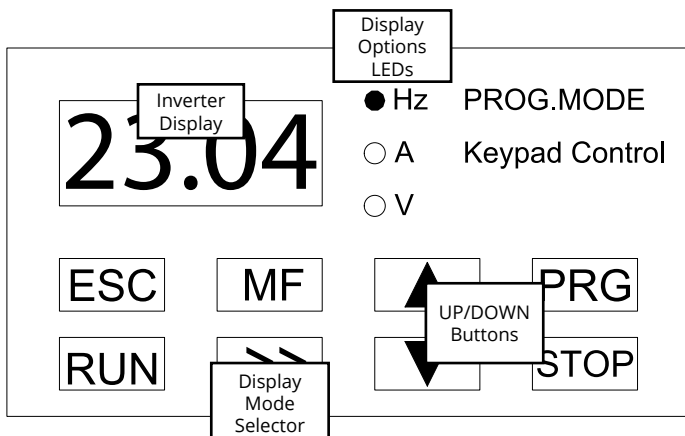
This button selects which option is shown on the display (Hz, A, V). For ease of operation, leave the display mode on factory settings.

### PRG BUTTON

This button is locked by default, as it is used to program the inverter. Modification of the inverter's programming could cause unwanted or unsafe operation of the drives and fans, as well as cause damage to electrical components.

## ⚠ CAUTION

Inverters should only be controlled by the wall switch and UP/DOWN buttons, the use of other inverter keypad buttons may cause unwanted or incorrect operation



## Inverter Display

The inverter's display will illuminate when power is supplied to the unit. The inverter's RUN LED will illuminate whenever the drive is running.

| Drive Operating Condition        | Inverter Display      |
|----------------------------------|-----------------------|
| Normal Operation                 | Current Speed Setting |
| Overload Fault (trip)            | F010                  |
| Current Limit (output too high)  | H001                  |
| Overload Alarm (output too high) | H002                  |
| Short Circuit                    | F001 or F017          |
| Output Phase Loss                | F005                  |
| Undervoltage                     | F003                  |
| Overvoltage                      | F002                  |
| Stop                             | Last Speed Setting    |

## Intermittent Problems

If the fireplace turns OFF after burning for 10-20 minutes, the control panel relays will indicate which safety has tripped.

If the Flue Gas Relay turns OFF, increase the speed on the inverter. The power vent blades are less effective when the air is hot. Also ensure that the unit's combustion air supply has not been blocked or restricted.

If the Heat Sensor Relay turns OFF, the cause is overheating. Increase the power vent's speed to increase cooling, and the fireplace will automatically restart once the unit's temperature reaches a safe level.

If the inverter display shows either a current limit alarm (H001), or an overload alarm (H002), it could mean that the unit's output is set too high. Lower the inverter's speed until the alarm disappears.

If an error code other than those listed above is shown on the inverter's display, power the fireplace down, and wait for all LEDs in the panel to turn OFF, then de-energize the panel. After the inverter has powered down, turn the panel's power back on and then turn on the fireplace. If the inverter error code persists, Contact Montigo for assistance.

If the igniter is sparking around its porcelain base instead of on the burner face, adjust the igniter's position, or replace the igniter.

## Ignition system error codes

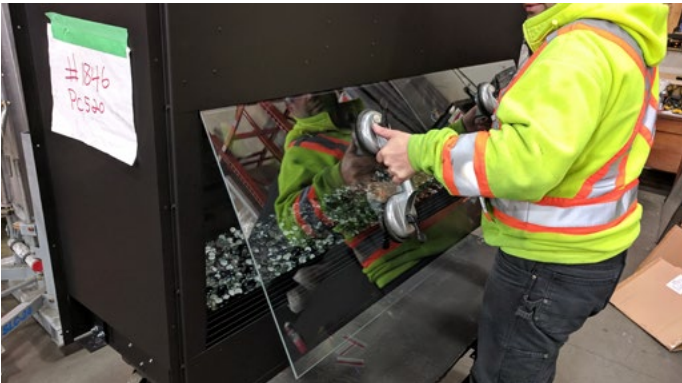
There is a multi-colored LED on the ignition system module located inside the fireplace body. The light's color and flash sequence will indicate the condition of the ignition system.

| COLOR | FLASH SEQUENCE          | RUNNING CONDITION/ERROR CONDITION |
|-------|-------------------------|-----------------------------------|
| Green | 1/2 sec on, 1/2 sec off | System purge                      |
| Green | Rapid blink             | Ignition trial                    |
| Green | Solid on                | Flame detected, valve open        |
| Red   | 1 flash, then pause     | No flame during trial             |
| Red   | 2 flashes, then pause   | Flame sense stuck on              |
| Red   | 3 flashes, then pause   | Pilot/Main relay failure          |
| Red   | 4 flashes, then pause   | Repetitive flame loss             |
| Red   | 7 flashes, then pause   | Internal control error            |
| Red   | Solid on                | Line voltage error                |

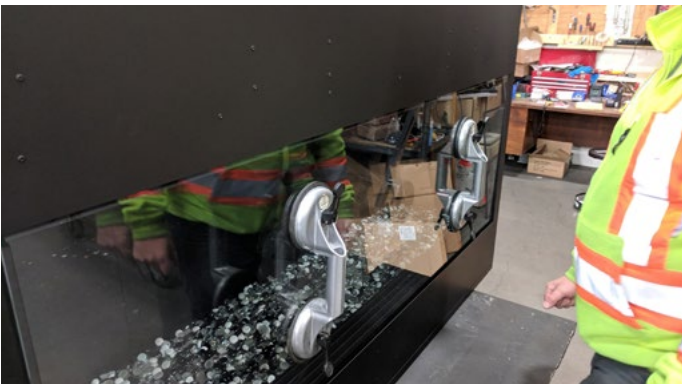
## Section 8: Installing & Removing the Glass

The Prodigy fireplace has 2 layers of glass that must be removed for maintenance and cleaning. Remove the glass as follows:

- 1) Place suction cups on the glass door. Follow the instructions supplied with this product to ensure all safety instructions are observed. Ensure cups are firmly attached and secured.
- 2) Hold handles firmly and lift the glass panel up and out of the lower track (into the upper track). Tilt the lower edge of the glass outwards. Do not tilt the glass away from the bottom track by more than 1" to avoid putting pressure on the glass in the top track.



- 3) Slide the glass downward carefully until it is free from the upper clips. Store in a safe location until time to replace.
- 4) At each end of the unit between the inner glass and outer glass there is a channel held in place by 2 screws. Remove these screws and the channel and store them in a safe place for re-installation.
- 5) Repeat steps 2 & 3 to remove the inner glass.
- 6) To re-install the glass, use the suction cups to carefully slide the glass into the clips on the upper track with the bottom tilted outward. Carefully lower the bottom of the glass toward the unit until it is in line with the lower track and gently lower onto the rubber stoppers in the bottom of the track.



## Section 9: Installing the Accessories

### Installing the Glass Media

The unit is supplied with glass media. Optional media may be purchased from the dealer. Before installing the fireplace doors, place the media randomly across the pan in a single layer only.



Figure 22. Do not cover the pilot with any media

### Burner Media Quantities

| 3'                      | 4'      | 5'      | 6'      | 7'      | 8'      |
|-------------------------|---------|---------|---------|---------|---------|
| Speckled Stone Quantity |         |         |         |         |         |
| 350                     | 450     | 500     | 600     | 650     | 750     |
| Driftwood Logs          |         |         |         |         |         |
| 1xLGS58                 | 1xLGS58 | 1xLGS57 | 1xLGS57 | 1xLGS57 | 1xLGS57 |
| 1xLGS59                 | 1xLGS59 | 1xLGS58 | 1xLGS58 | 2xLGS58 | 2xLGS58 |
|                         |         | 1xLGS59 | 1xLGS59 | 1xLGS59 | 1xLGS59 |
| Glass Media             |         |         |         |         |         |
| 4 Bags                  | 6 Bags  | 8 Bags  | 9 Bags  | 10 Bags | 12 Bags |

### Driftwood & Speckled Stones

Speckled stones must be placed in a single layer only. The logs are then placed on top of the stones. Logs may be installed in a variety of patterns, so long as the logs do not obstruct burner ports or extend into the tips of the flames. Placing logs or stones incorrectly will result in fireplace sooting.

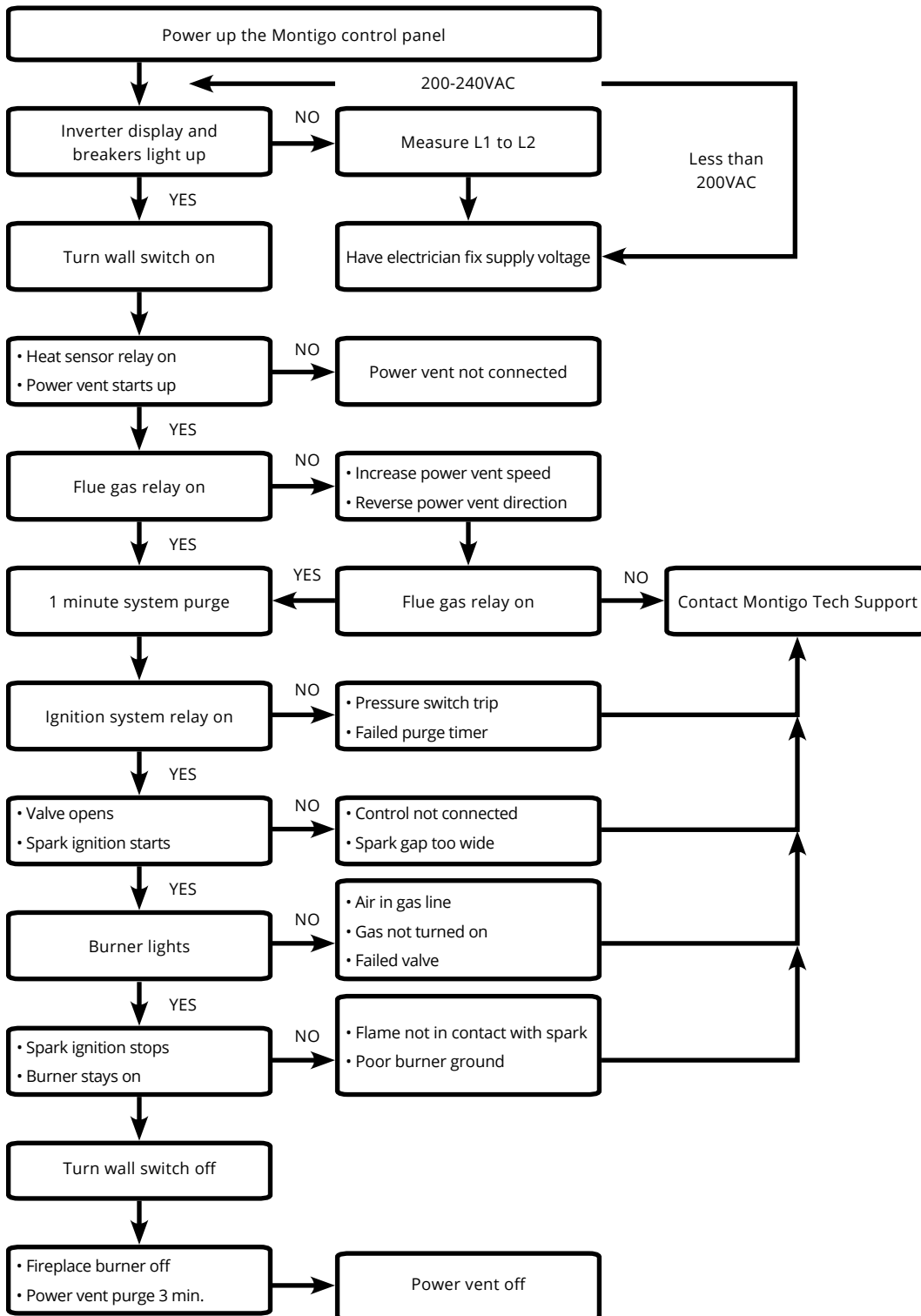


| PART                   | ORDER CODE |
|------------------------|------------|
| <b>Fireglass</b>       |            |
| Obsidian               | HW1113     |
| Platinum               | HW1144     |
| Ice                    | HW1157     |
| Copper                 | HW1143     |
| <b>Firestones</b>      |            |
| Amber                  | HW1261     |
| Glacier                | HW1219B    |
| Alabaster              | HW1260     |
| Onyx                   | HW1259     |
| <b>Firebeads</b>       |            |
| Ivory                  | HW1111     |
| Frost                  | HW1112     |
| Quartz                 | HW1106     |
| Ebony                  | HW1091     |
| <b>Firebead Blends</b> |            |
| Sage                   | HW1082     |

### Optional speckled stones

| PART                      | ORDER CODE |
|---------------------------|------------|
| Speckled stones 50pc      | RR50SS     |
| Speckled stones 150pc     | RR150SS    |
| Speckled stones 300pc     | RR300SS    |
| Speckled stones 600pc     | RR600SS    |
| Driftwood logset - Large  | LGS57      |
| Driftwood logset - Medium | LGS58      |
| Driftwood logset - Small  | LGS59      |

## Section 10: Troubleshooting



## Section 11: Cleaning and Maintenance

### General

- Have the fireplace installation inspected annually, including a visual check of the vent system, the burner and the pilot flame. For your convenience, a 1/8" manifold pressure tap is supplied on the gas valve for a test gauge connection.
- For Natural Gas, this appliance requires a minimum inlet pressure of 5.5" wc, and a manifold pressure of 3.5" wc.
- For Propane, this appliance requires a minimum inlet pressure of 11" wc, and a manifold pressure of 10" wc.
- Always keep the fireplace area clear and free of combustible materials, as well as gasoline and other flammable vapours and liquids.
- Do not use this appliance if any part has been under water. Immediately call a qualified service technician to inspect the appliance and to replace any part of the control system and any gas control which has been under water.

### Cleaning

When the fireplace is first activated, there may be some smoke and a visible film may be left on the glass. This is a normal condition, and is the result of burning of protective coatings on new metal.

- Glass must be cleaned periodically to remove any film (which is a normal by-product of combustion) which may be visible. Film can easily be removed by removing the door. Handle the door carefully, and clean it with non-abrasive, non-ammonia based glass cleaners. One of the most effective products is Kel-Kem.
- Use a vacuum cleaner or whisk broom to keep the control compartment, burner, and firebox free from dust and lint.

#### NOTICE

Do not use ammonia or abrasive cleaners on the glass, they will permanently etch the surface. Use an approved gas fireplace cleaner such as Kel-Kem or White Off.

#### NOTICE

Fireplace gas control must be in the "OFF" position and all burners extinguished when cleaning appliance. Doors can get very hot. Handle only when cool.

## Appendix B: Warranty

### MONTIGO COMMERCIAL WARRANTY PROGRAM

Empire Comfort Systems, Inc. and/or Empire Comfort Systems Canada, Inc. (collectively referred to herein as "The Companies"), warrants the Montigo gas appliance (referred to herein as 'the appliance') to be free from defects in materials and workmanship at the time of manufacture. The gas appliance and related components are further subject to the terms and conditions set forth below.

**This warranty covers the following Montigo product series: Prodigy, BF, C-View, Round, Tornado and Firepit**

| Component  | Coverage Period             | Labor Coverage |
|--|-----------------------------|----------------|
| Firebox, heat exchanger  | 10 years                    | 1 year         |
| Main burner  | 10 years *3 years (Firepit) | 1 year         |
| Gas control valve and related control components (pilot assembly, spark electrode flame sensors, thermopile)                                     | 1 year                      | 1 year         |
| Electrical components (internal blowers, ignition control module, wiring, switches, remote control systems, blower control module, accent bulbs) | 1 year                      | 1 year         |
| Firebox media (logset, glass beads, river rocks)   | 1 year                      | None           |
| Glass panes  | None                        | None           |
| Plated, painted finishes (including interior reflective glass)*  | 1 year                      | 1 year         |
| Refractory lining  | 1 year                      | 1 year         |
| Power vent control box   | 1 year                      | 1 year         |
| Power vent termination   | 1 years                     | 1 year         |

\* Exterior painted surfaces exempt

### QUALIFICATIONS TO THE WARRANTY

This Warranty only covers gas appliances installed in the United States or Canada.

To receive the benefits of this warranty, the appliance must be purchased, installed and serviced annually by a dealer authorized by The Companies for the warranty to be valid.

The gas appliance must be installed by a licensed professional in accordance with The Companies' installation instructions and local building codes. The warranty on the appliance covers only components manufactured by The Companies. The use of components manufactured or supplied by other manufacturers and used in conjunction with the appliance could create serious safety hazards, may result in the denial of certification by recognized national safety agencies and could violate local building codes. Such use may ultimately void this warranty. This warranty does not cover any damages occurring from the use of any components not manufactured or supplied by The Companies.

The appliance must be subjected to normal use. The appliance is designed to burn natural gas (NG) or liquefied petroleum (LP) only. Burning conventional fireplace fuels such as wood, coal or any other solid fuel will cause damage to the appliance, produce excessive temperatures will result in a fire hazard and void all warranties. This warranty is transferable. The appliance must remain in its original place of installation to be valid.

If the components of the appliance covered by this warranty are found to be defective within the time frame stated (see The Companies investigation of claims), The Companies will, at its option, replace or repair defective components of the appliance manufactured by The Companies at no charge and will also pay for labor costs (in accordance with schedule) incurred in replacing or repairing components. If repair or replacement is not commercially practical, The Companies will, at its sole discretion, fully discharge all obligations under the warranty by refunding the verified dealer purchase price of the appliance, excluding the cost of labor unless the labor is covered by the terms of the warranty.

This warranty covers only parts and labor as provided above. In no case shall The Companies be responsible for materials, components or construction, which are not manufactured or supplied by The Companies, or for the labor necessary to install, repair or remove such materials, components or construction. All replacement or repair components will be shipped F.O.B. from the nearest Company factory.

### LIMITATION ON LIABILITY

It is agreed and understood that The Companies sole obligation, and purchaser's exclusive remedy under this warranty, under any other warranty, expressed or implied, or in contract, tort or otherwise, shall be limited to shall be limited to repair, replacement or refund as specified above. The opinion of The Companies with respect to these matters shall be final.

In no event shall The Companies be responsible for any incidental or consequential damages caused by (but not limited to) improper installation, installation by an unqualified or unauthorized installer, accident, lack of regular maintenance, user error, abuse, misuse, Acts of God, power surges, floods, natural disasters, force majeure, defects in its appliance whether such damage occurs or is discovered before or after replacement or repair, and whether or not such damage is caused by The Companies negligence. Some jurisdictions do not allow the exclusion or limitation of incidental or consequential damages, so the above limitation or exclusion may not apply to you. The duration of any implied warranty with respect to the appliance is limited to the duration of the foregoing warranty. Some jurisdictions do not allow limitations on how long an implied warranty lasts, so the above limitation or exclusion may not apply to you.

## Appendix B: Warranty Continued

### EXCLUSIONS TO WARRANTY

Corrosion or rust of any kind due to a lack of maintenance, inadequate combustion air or improper venting and corrosive chemicals/environments, expansion and contraction of metals, minor movements of components causing noise or glass claims of any kind are not covered by this warranty.

Modifications of any kind to the unit or units' components to include control panel and wiring, not specifically authorized by The Companies.

Willful misconduct (i.e. use of the appliance with problems known to the purchaser and causing further damages), including unauthorized or self-performed 'fixing' or exploration of the appliance's internal workings will void the warranty.

Appliances on which the serial number has been altered, defaced, removed or made illegible will void the warranty.

Costs incurred for diagnosis, service work, shipping and handling of defective or replacement parts are not covered under this warranty.

The published warranties are not applicable for any equipment manufactured by The Companies that has been sold direct to the consumer via internet or auction websites. The Companies do not endorse, approve or certify any online sale of its Commercial products through auction websites, online retailers or any other method of online sales direct to consumers.

### INVESTIGATION OF CLAIMS AGAINST WARRANTY

The Companies reserve the right to investigate any and all claims against this warranty and decide upon method of settlement.

The Companies are not responsible for work done without written consent of The Companies.

The Companies shall in no event be responsible for any warranty work done without first obtaining the Companies written consent.

The Companies employees and dealers have no authority to make any warranties to neither alter this warranty nor authorize any remedies in addition to or inconsistent with those stated within this warranty.

### IF WARRANTY SERVICE IS NEEDED

To make a Commercial claim under this warranty, you must first contact Montigo via email at [techsupport@Montigo.com](mailto:techsupport@Montigo.com) or by phone 1 (800) 378-3115 and please state that this is a Commercial claim inquiry. Montigo will perform an initial assessment and provide next steps in conjunction with your installing dealer. Ensure you have your sales receipt or purchase order and the model and serial number of your appliance.

### DO NOT ATTEMPT TO DO ANY SERVICE WORK YOURSELF

If you cannot locate the installing dealer, or nearest dealer/distributor, you must notify The Companies in writing.

#### USA Offices

6955 Salashan Parkway

Ferndale WA, 98248

[techsupport@montigo.com](mailto:techsupport@montigo.com)

#### Canadian Offices

27342 Gloucester Way

Langley, BC V4W 4A1

[techsupport@montigo.com](mailto:techsupport@montigo.com)

The terms and conditions of this warranty may be altered or amended from time to time without prior notice.

**WARRANTY PERIOD:** Warranty coverage begins on the date of original purchase. In the case of new construction, warranty coverage begins on the date of first occupancy of the dwelling or six months after the sale of the product by an independent, authorized Company dealer/ distributor, whichever occurs earlier.



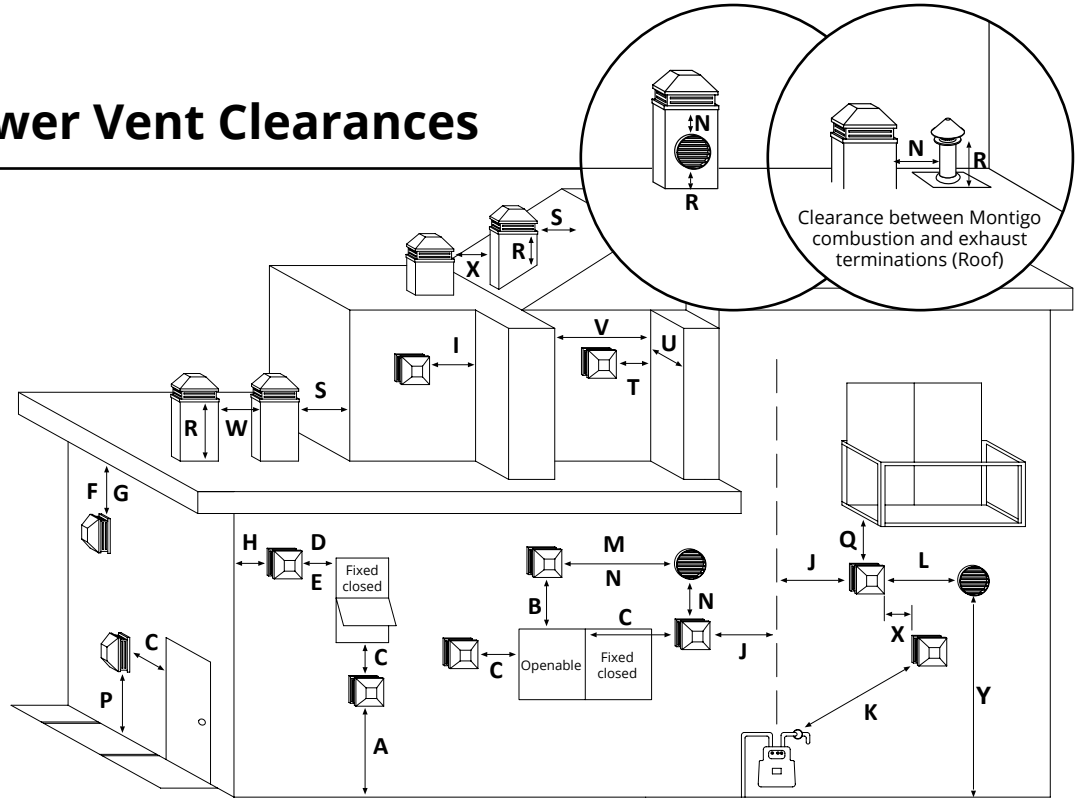
# Appendix B: Power Vent Clearances

\* Based on CGA B149.1 Natural Gas and Propane Installation Code. Local codes may vary, please check with local regulatory agency.

\*\*Based on ANSI Z223.1/NFPA 54 National Fuel Gas Code. Local codes may vary, please check with local regulatory agency.

+ A vent shall not terminate directly above a sidewalk or paved driveway which is located between 2 single family dwellings and serves both dwellings.

++ Permitted only if veranda/porch/deck/balcony is fully open on a minimum of 2 sides beneath the floor.



## Roof/Wall Terminations

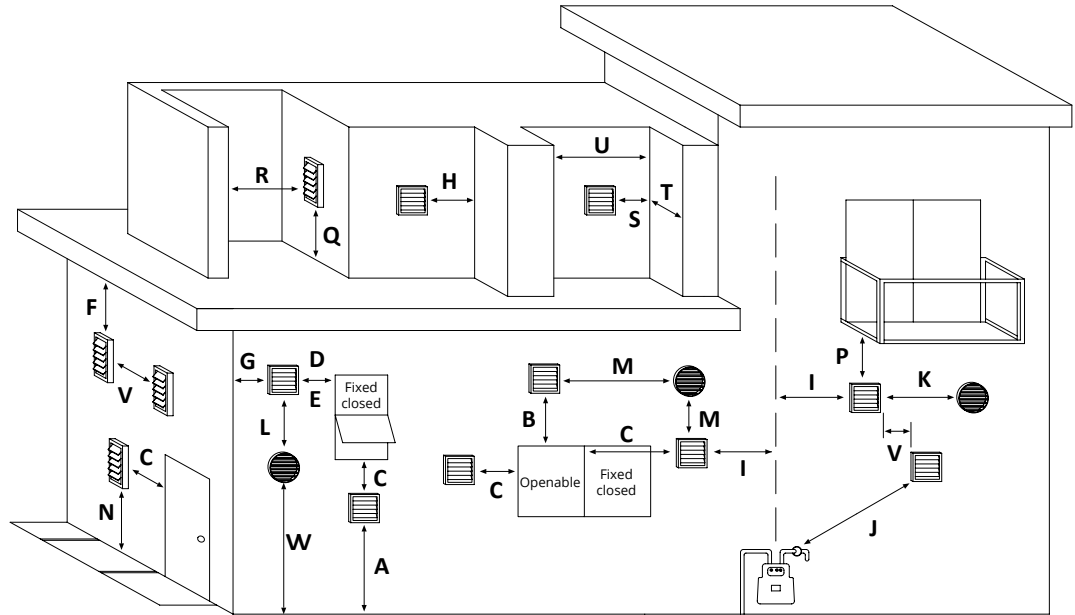
| Location |  | Canada*   | USA**              |           |
|----------|--|---|--------------------|-----------|
| A        | Clearance above grade, veranda, porch, or balcony  | 30 inches   | 30 inches          |           |
| B        | Clearance to top of doors or operable windows  | 12 inches   | 12 inches          |           |
| C        | Clearance to sides or bottom of doors or operable windows  | 4 feet  | 4 feet             |           |
| D        | Clearance to permanently closed window when installed with approved gas penetration termination              | 0   | 0                  |           |
| E        | Recommended clearance to permanently closed window to prevent condensation                                   | 30 inches   | 30 inches          |           |
| F        | Clearance to ventilated soffit located within 24 inches of termination                                       | 22 inches   | 22 inches          |           |
| G        | Clearance to unventilated soffit   | 30 inches   | 30 inches          |           |
| H        | Clearance to outside corner  | 30 inches   | 30 inches          |           |
| I        | Clearance to inside corner 30  | 30 inches   | 30 inches          |           |
| J        | Clearance to the vertical centerline of a meter or regulatory assembly to a max vertical distance of 15 feet | 3 feet  | 3 feet             |           |
| K        | Clearance to service regulator vent outlet   | 3 feet  | 3 feet             |           |
| L        | Clearance to non-mechanical air supply inlet to the building or combustion air inlet for other appliance     | for other appliance ≤ 100,000 BTU/H (30KW)              | 12 inches          | 4 feet    |
|          |  | for other appliance ≥ 100,000 BTU/H (30KW)              | 6 feet             | 4 feet    |
| M        | Clearance to forced air supply inlet   | 6 feet  | 3 feet above inlet |           |
| N        | Clearance between Montigo combustion and exhaust terminations  | for combustion termination beside or below exhaust vent | 30 inches          | 30 inches |
|          |  | for combustion termination above exhaust vent           | 3 feet             | 3 feet    |
| P+       | Clearance above paved sidewalk or paved driveway located on public property                                  | 7 feet  | 7 feet             |           |
| Q++      | Clearance under veranda, porch, deck, or balcony   | 30 inches   | 30 inches          |           |
| R        | Clearance above roof   | 2 feet  | 2 feet             |           |
| S        | Clearance to adjacent walls and neighbouring buildings   | 30 inches   | 30 inches          |           |
| T        | Clearance from corner in recessed location   | 30 inches   | 30 inches          |           |
| U        | Maximum depth of recessed location   | 48 inches   | 48 inches          |           |
| V        | Maximum width for back wall of recessed location   | 60 inches   | 60 inches          |           |
| W        | Horizontal clearance between two terminations that are level   | 12 inches   | 12 inches          |           |
| X        | Horizontal clearance between two terminations that are not level   | 12 inches   | 12 inches          |           |
| Y        | From finished grade to bottom of combustion air intake   | 12 inches   | 12 inches          |           |

\* Based on CGA B149.1 Natural Gas and Propane Installation Code. Local codes may vary, please check with local regulatory agency.



\*\*Based on ANSI Z223.1/NFPA 54 National Fuel Gas Code. Local codes may vary, please check with local regulatory agency.


+ A vent shall not terminate directly above a sidewalk or paved driveway which is located between 2 single family dwellings and serves both dwellings.

++ Permitted only if veranda/porch/deck/balcony is fully open on a minimum of 2 sides beneath the floor.



## Inline / Flush Mount Terminations

  Power vent termination

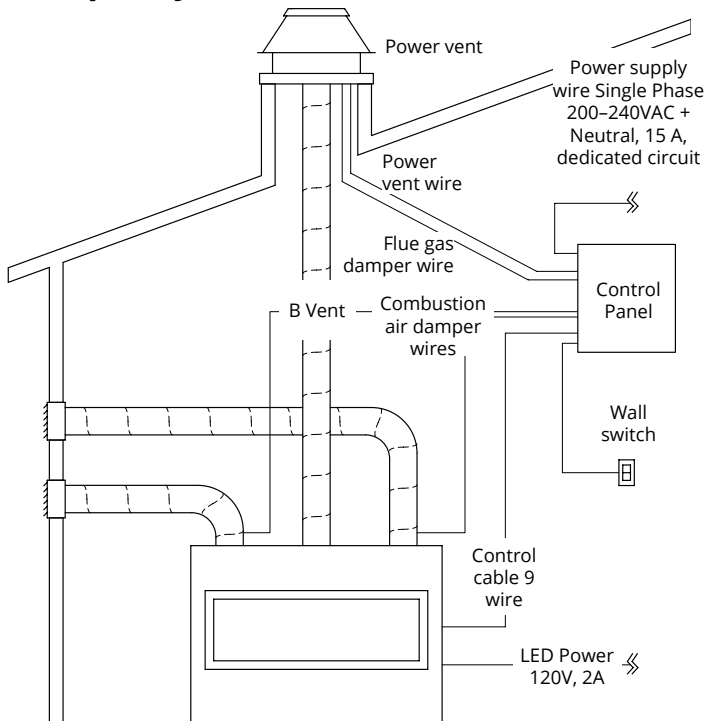
 Combustion air termination

|     | Location   | Canada*      | USA**        |
|-----|--|--------------|--------------|
| A   | Clearance above grade, veranda, porch, or balcony  | 30 inches    | 30 inches    |
| B   | Clearance to top of doors or operable windows  | 4 feet       | 4 feet       |
| C   | Clearance to sides or bottom of doors or operable windows  | 36 inches    | 12 inches    |
| D   | Clearance to permanently closed window when installed with approved gas penetration termination              | Not Required | Not Required |
| E   | Recommended clearance to permanently closed window to prevent condensation                                   | 30 inches    | 30 inches    |
| F   | Clearance to soffit  | 22 inches    | 22 inches    |
| G   | Clearance to outside corner  | Not Required | Not Required |
| H   | Clearance to inside corner   | 6 inches     | 6 inches     |
| I   | Clearance to the vertical centerline of a meter or regulatory assembly to a max vertical distance of 15 feet | 3 feet       | 3 feet       |
| J   | Clearance to service regulator vent outlet   | 3 feet       | 3 feet       |
| K   | Clearance to non-mechanical air supply inlet to the building or combustion air inlet for another appliance   | 3 feet       | 3 feet       |
| L   | Clearance above forced air supply inlet or Montigo combustion air termination                                | 3 feet       | 3 feet       |
| M   | Clearance to sides or bottom of Montigo combustion air termination   | 6 inches     | 6 inches     |
| N   | Clearance above paved sidewalk or paved driveway located on public property                                  | 7 feet       | 7 feet       |
| P+  | Clearance under veranda, porch, deck, or balcony   | 12 inches    | 12 inches    |
| Q++ | Clearance above roof   | 2 feet       | 2 feet       |
| R   | Clearance to adjacent walls and neighbouring buildings   | 30 inches    | 30 inches    |
| S   | Clearance from corner in recessed location   | 30 inches    | 30 inches    |
| T   | Maximum depth of recessed location   | 48 inches    | 48 inches    |
| U   | Maximum width for back wall of recessed location   | 60 inches    | 60 inches    |
| V   | Horizontal clearance between two terminations  | 12 inches    | 12 inches    |
| W   | From finished grade to bottom of combustion air intake   | 12 inches    | 12 inches    |

## Appendix C: Dampers

Prodigy series fireplaces are standard with 2 intake dampers and are available with optional exhaust dampers that prevent airflow through the fireplace's ducting when the unit is turned off. Dampers are typically used in cold climates to prevent condensation buildup on the inside of fireplace glass or vent pipes due to the mixing of warm inside and cold outside air. When installed with a Prodigy fireplace, dampers are electrically integrated into the Montigo control panel so that no additional start-up steps are required. The system with or without dampers is controlled by a single wall switch. The figures below illustrate typical damper options.

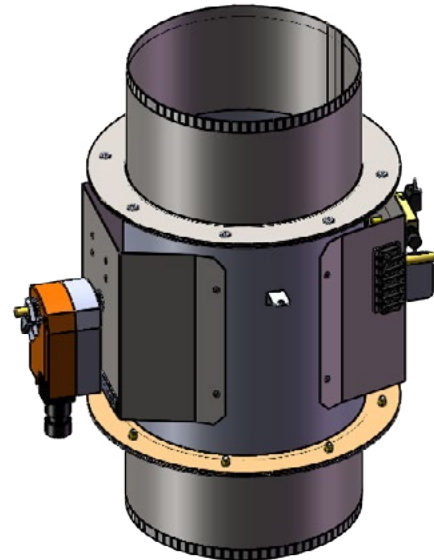
### Damper System Overview



### Damper Wiring

Dampers require additional electrical wiring between the control panel and the damper. A five conductor cable is supplied for this connection, and the wire functions are as follows:

- White and Black: 24 VAC supply to damper motor
- Red and Brown: End switch
- Green: Ground



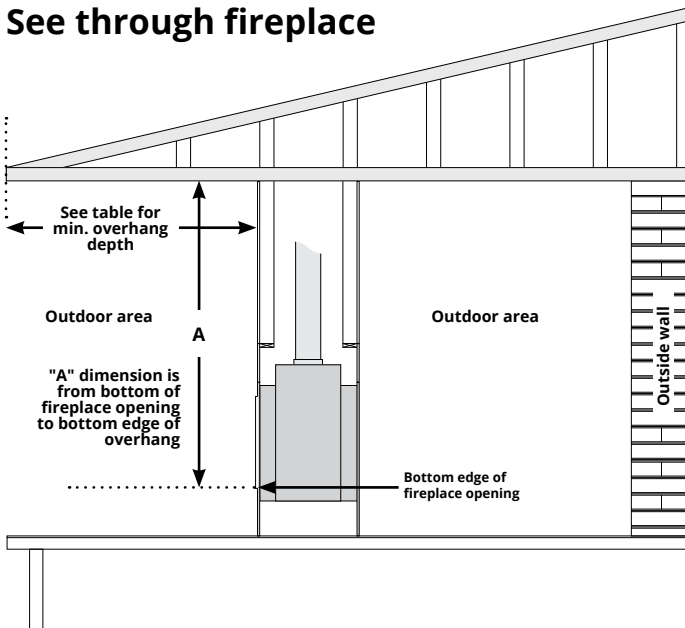
## Indoor fireplace in protected outdoor applications

This fireplace may be installed into outdoor locations provided they are suitably protected from direct water impingement. However, all installation clearances in the appliance manual must be observed. Framing, Clearances to Combustibles, Mantel Heights, Facing Requirements, Venting Installation, etc. Use supplied Safety Screen.

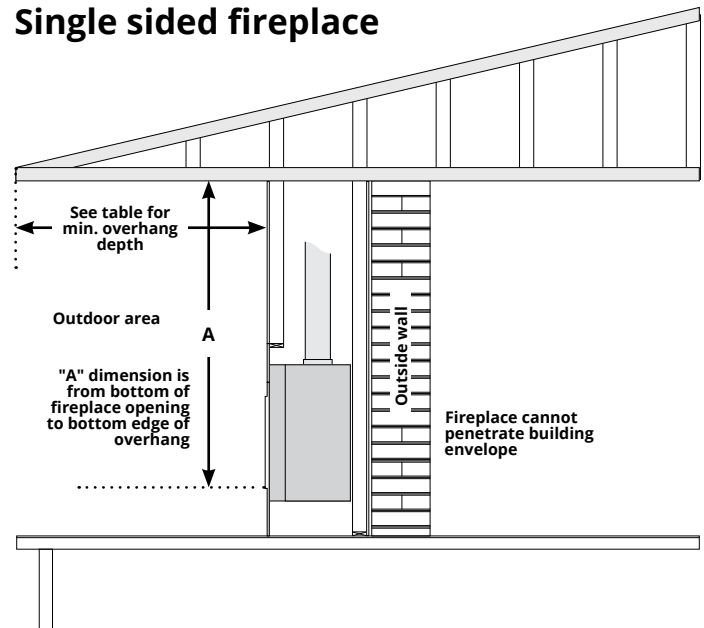
|   |       |                       |
|---|-------|-----------------------|
| Dimension "A"   | X .75 | = min. overhang depth |
| The overhang must extend at least 75% of the roof line height (A)<br>Height is measured from bottom of fireplace opening to the ceiling |       |                       |

|   |
|---|
| <b>Example formula</b>  |
| Min. overhang =<br>$A \times 0.75$  |
| For example: if<br>distance A is 84", the<br>overhang must extend<br>at least 63" |

### See through fireplace



### Single sided fireplace



### Notes

- Overhang requirements must be applied to both the front and sides of the fireplace
- Indoor see-through models cannot be installed as an indoor/outdoor fireplace without the addition of a see-through Indoor-outdoor kit.
- If the fireplace will be in contact with salt water, then an outdoor fireplace is recommended
- Follow all building codes, including those addressing fireplace penetration of an exterior building envelope

- Follow all product installation instructions; including framing, clearances to combustibles, mantel heights, Facing Requirements, venting installation, etc. Use supplied safety screen.
- All wiring connections to line power shall be in accordance with outdoor requirements of; NECA NFPA 70 in the USA Canadian Electrical Code, CSA C22.1 for Canada.
- The Fireplace is not to be operated in temperatures below freezing (0°C | 32°F)

## NOTICE

Units with tempered glass doors are vulnerable to rapid and/or extreme changes in temperature (thermal shock). Take care to prevent water from contacting the fireplace, especially if it is hot.



# **PRODIGY SERIES**

## **3' TO 8'**

Single Sided, See-Through,  
Corner, Bay